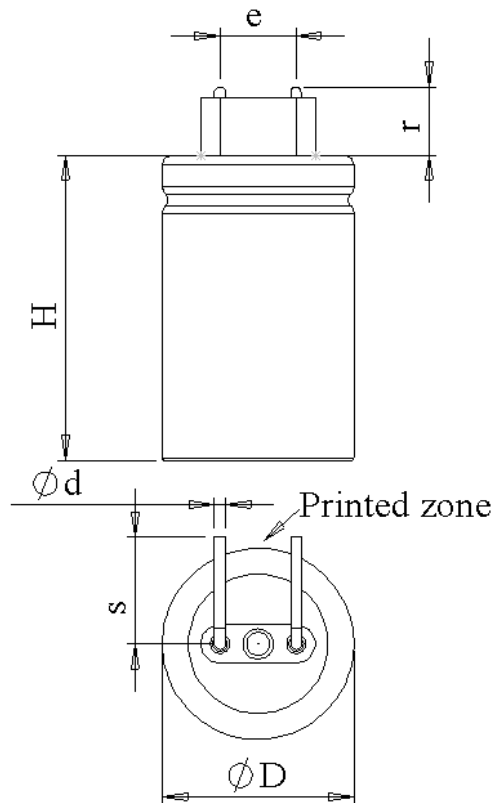


#5793

HIGH TEMPERATURE FILM CAPACITORS

MKS 63-010 c3 G

Dielectric of metallized
polyphenylene sulfide

Resin end sealing

Aluminium case

Parameter	Symbol		Value	Unit	Condition
Capacitance	C		0.1	μF	1 V / 1 kHz
Tolerance			± 2	%	
Rated voltage	Un DC		630	VDC	
Rated voltage	Un AC		250	Veff	2000 Hz
slope of voltage variation	du/dt max.		150	V/ μsec	max. repetitive
Repetitive surge current	I cr. max		15	A	
Tangent delta	tg δ		≤ 10	1C^4	1 V / 1 kHz / 22°C
Stray inductance	ESL		≤ 50	nH	
Insulation resistance	Ri		$> 50'000$	M Ω	100 VDC - 1 min
Test voltage between terminals	U T1		625	VAC	50 Hz / 2 sec.
Test voltage terminals to case	U T2		2500	VAC	50 Hz / 2 sec.
Operating temperature			- 40 ... + 85	°C	
Estimated operational life (-3%)			100'000	h	Un AC / 2000 Hz
Dimension	Symbol			Unit	Conditions
Diameter	D		25	mm	
Height	H		40	mm	
Terminals					
Lead	d		1.5	mm	
Thread spacing	e		10.0 ± 1	mm	
	r		11	mm	
	s		15 ± 2	mm	
	M1	05.04.2012	HJJ		
	M0	19.04.2010	HJJ		
	Modification	Date	Visa émetteur		

Condensateurs CH 1400 Yverdon-les-Bains
 Kondensatoren Tel.: ++41 24 445 66 88
 Capacitors Fax: ++41 24 445 66 89

Leclanché
Capacitors
A FISCHER & TOLUCCHE COMPANY

HJJ

19.03.2009

faisab5793.XLS