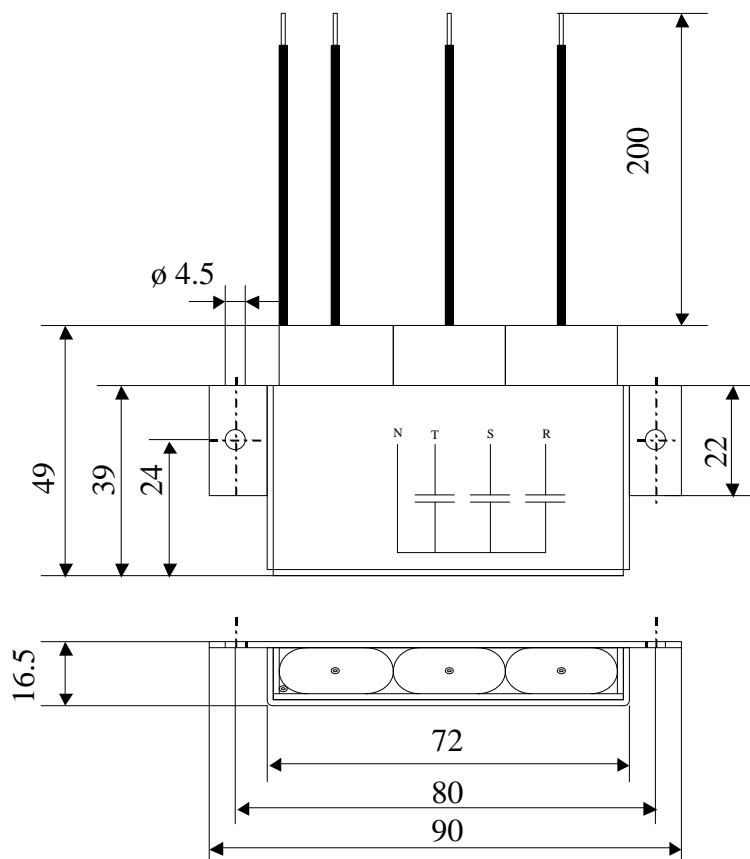


#6092

POLYPHENYLENE SULFIDE FILM CAPACITORS

MKS 35-3x2.2 r K



Dielectric of metallized polyphenylene sulfide

Polyester wrapped, Flammability UL 510

Outputs cable 0.6 mm²
Type KZ 05-07

Epoxy resin sealing UL 94-V0

Aluminium case
thick 1.0 mmBurn in test (100 %)
115 V / 400 Hz / 85°C / 4 hours

Parameter	Symbol		Value	Unit	Condition
Capacitance	C	3 x	2.2	µF	1 V / 1 kHz
Tolerance			± 10	%	
Rated voltage	Un DC		350	VDC	
Rated voltage	Un AC		115	Veff	400 Hz
Tangent delta	tgδ		≤ 20	1C ⁻⁴	1 V / 1 kHz
Insulation resistance	Ri x C		> 15'000	s	100 VDC - 1 min
Test voltage between terminals	U T1		600	VDC	10 s
Test voltage between terminals to case	U T2		1'500	VAC	1 min
Operating temp.			- 40 / + 85 °C		
Dimension	Symbol			Unit	Conditions
Width	B		72	mm	
Length	L		39	mm	
Height	H		16.5	mm	
Terminals cable		4 x	0.5	mm ²	
	M1	18.02.2013	HJJ		
	M0	28.11.2012	HJJ		
	Modification	Date	Visa émetteur		

Condensateurs CH 1400 Yverdon, Switzerland
 Kondensatoren Tel.: ++41 24 445 66 88
 Capacitors Fax: ++41 24 445 66 89

Leclanché
Capacitors
A FISCHER & TROSCHE COMPANY

HJJ

www.Lcap.ch
 10.04.2012

capinfo@Lcap.ch
 faisab6092.XLS