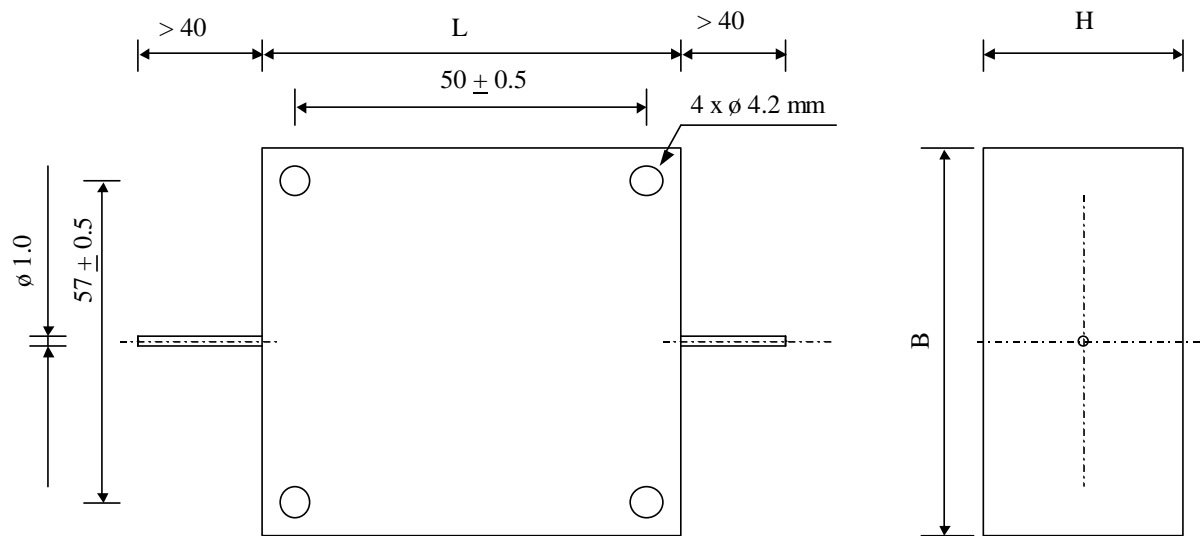


#5833

METALLIZED POLYPROPYLENE CAPACITORS

PPM 4000-220 ru K



Dielectric of metallized polypropylene

Plastic case - polyurethan resin filled

Parameter	Symbol		Value	Unit	Condition
Capacitance	C		0.002	μF	1 V / 1 kHz
Tolerance			± 10	%	
Rated voltage	Un DC		40'000	VDC	
Rated voltage	Un AC		3000	VAC	50 Hz
Current	I RMS		500	mA	100 kHz
slope of voltage variation	du/dt max.		30000	V/ μsec	non repetitive
Non Repetitive surge current	I cr. max		50	A	
Tangente delta	tg δ		5	10^{-4}	1 V / 1 kHz
Tangente delta	tg δ		5	10^{-4}	1 V / 10 kHz
Stray inductance	ESL		≤ 150	nH	
Parallel resistance	Rp		$1000 \pm 10 \%$	M Ω	40 kV / 30°C
Test voltage between terminals	U T1		48	kVDC	1 min
Operating Temperature			+ 10 to + 80	°C	
Estimated operational life (-3%)			50'000	h	Un DC
Dimension	Symbol			Unit	Conditions
Width	B		67 ± 1	mm	
Height	H		43 ± 1	mm	
Length	L		60 ± 1	mm	
Terminals					
Axial tinned wire	d		$\varnothing 1.0 \times 40$	mm	
	M1				
	M0				
	Modification	Date	Visa émetteur		

Condensateurs CH 1400 Yverdon-les-Bains
 Kondensatoren Tel.: ++41 24 445 66 88
 Capacitors Fax: ++41 24 445 66 89

Le lanché
Capacitors
AFRISONNÉ & VALESCHE COMPANY

HJJ

14.07.2009

faisab5833.XLS