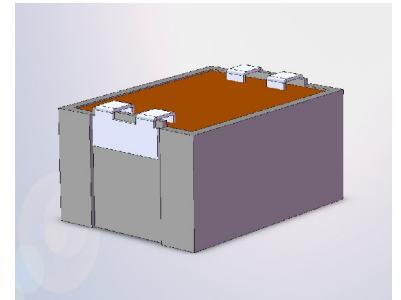
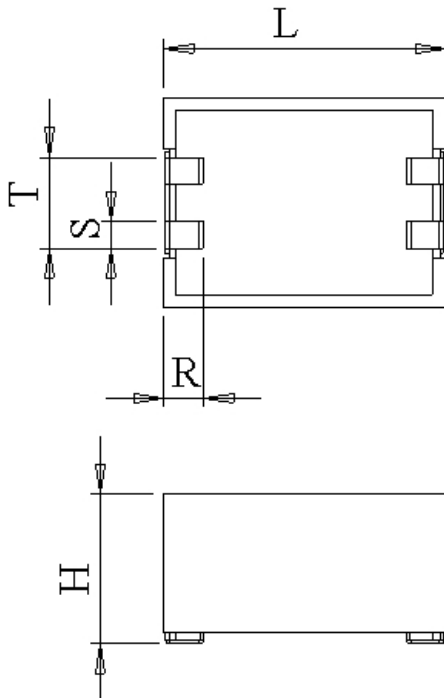
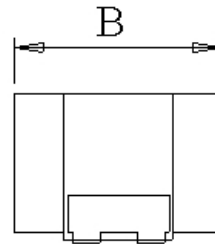


#6204

Power Electronics Capacitors

MKT 20-6.8 SMD M

Preliminary
data sheet

Surface mount device - Self-extinguishing plastic housing
Dielectric metallized polyester - Epoxy resin sealing UL
94-V0

Measurements and test CECC 30'000 - CECC 32'200

Parameter	Symbol		Value	Unit	Condition
Capacitance	C		6.8	μF	1 V / 1 kHz
Tolerance			± 20	%	
Rated voltage	Un DC		200	VDC	
Maximum current	I RMS max.		6.2	Aeff	200 kHz / 105 °C
Tangent delta	tg δ		≤ 100	10^{-4}	1 kHz
Equivalent serie resistance	ESR		≤ 11.0	m Ω	100 kHz
Stray inductance	ESL		≤ 8	nH	
Insulation resistance	Ri		> 370	M Ω	100 VDC - 1 min
Test voltage between terminals	U T1		320	VDC	10 s
Climatic category			55/125/21		
Dimension	Symbol			Unit	Conditions
Width	B max		18.5	mm	
Height	H max		17	mm	
Length	L max		17	mm	
Terminals					
	R		7 ± 0.25	mm	
	S		2 ± 0.2	mm	
	T		2.2 ± 0.25	mm	
	M1				
	M0				
	Modification	Date	Visa émetteur		

Condensateurs CH 1400 Yverdon-les-Bains
Kondensatoren Tel.: ++41 24 445 66 88
Capacitors Fax: ++41 24 445 66 89

Leclanché
Capacitors
A FISCHER & TAUSSCH COMPANY

HJJ

24.06.2013

faisab6204.XLS