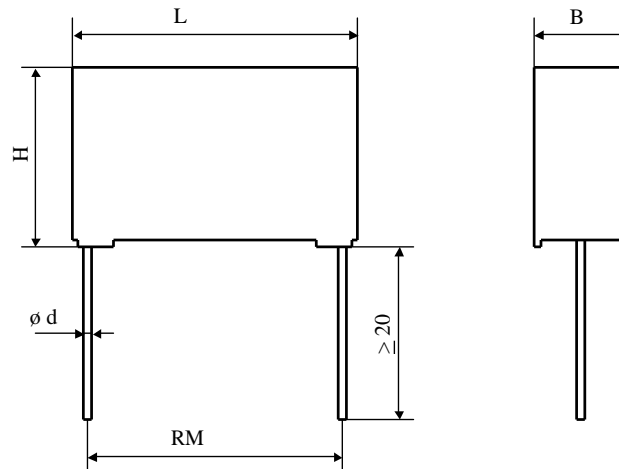


#6197

METALLIZED POLYESTER CAPACITORS

CKT 501B 40-110 gs K



Dielectric of metallized polyester

Self-extinguishing plastic housing / Epoxy resin sealing

Parameter	Symbol		Value	Unit	Condition
Capacitance	C		10	nF	1 V / 1 kHz
Tolerance			± 10	%	
Rated voltage	Un DC	85°C	400	VDC	
Rated voltage	Un AC	75°C	200	VAC	50 Hz
slope of voltage variation	du/dt max.		30	V/ μ sec	max. repetitive
Repetitive surge current	I cr. max		0.3	A	
Tangent delta	tg δ		7C	1C ⁴	1 V / 1 kHz
Stray inductance	ESL		≤ 30	nH	
Insulation resistance	Ri		> 30'000	M Ω	100 VDC - 1 min
Test voltage between terminals	U T1		640	VDC	10 s
Climatic category			55/125/56		
Dimension	Symbol			Unit	Conditions
Width	B		5	mm	
Height	H		9.5	mm	
Length	L		14	mm	
Terminals					
Axial tinned wire	d		$\varnothing 0.6 \times 20$	mm	
	RM		10.16	mm	
	M1				
	M0				
	Modification	Date	Visa émetteur		

Condensateurs CH 1400 Yverdon, Switzerland
 Kondensatoren Tel.: ++41 24 445 66 88
 Capacitors Fax: ++41 24 445 66 89

Leclanché
Capacitors
A FISCHER & TROUSCH COMPANY

HJJ

www.Lcap.ch
 11.06.2013

capinfo@Lcap.ch
 faisab6197.XLS