

Replacement for CKM 501-4 BG series

Applications

- Railway Signal Systems
- High Reliability Circuits

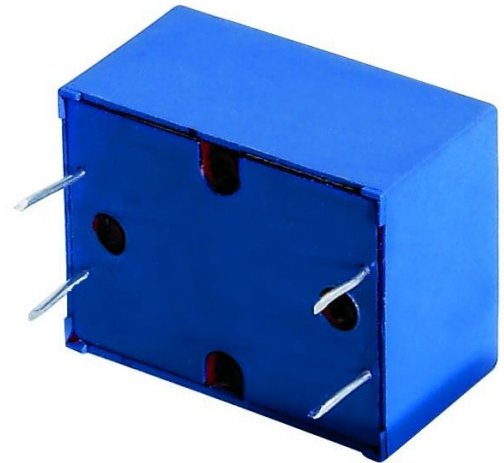
Main Characteristics

- High Reliability
- Controllable Metallized frame layers
- Compliant to standards NF F 62 - 102
- Nominal Voltage U_n : 40VDC to 630VDC
- Dry-film technology
- Climatic category 40/125/56
 Tolerances $\pm 20\%$, $\pm 10\%$, $\pm 5\%$, $\pm 2\%$, $\pm 1\%$

Design Data

- Metallized Polycarbonate
- Self-extinguishing plastic housing
- Tinned copper wire radial connection
- Epoxy resin end-seal (UL-V0)
- Marking to indicate outer foil on request

Mounting



CKM 501-4 BG

1.0 Rated Values and Operational Data

DC	Nominal Voltage U_R [VDC]	$\leq 85^\circ\text{C}$	B	40	63	160	250	400	630
	Category Voltage U_C [VDC] = $0.5x_r$	$\leq 125^\circ\text{C}$	B	20	31.5	80	125	200	315
	Test Voltage U_T [VDC] = $1.6xU_r$	1 min / 23°C	B	64	100	160	400	640	1000
AC	Nominal Voltage $U_{N-50/60}$ Hz [VAC]	$\leq 85^\circ\text{C}$	B	25	40	100	160	200	275

High Security Capacitors with controllable metallized frame layers

Type CKS 501-4 BG

Cn =>	1.0 nF	18 nF	27 nF	56nF	0.18µF	0.39µF	0.47µF	1.0µF	1.5µF	3.3µF	10µF	22µF
40 VDC												
63 VDC												
160 VDC												
250 VDC												
400 VDC												
630 VDC												

3.0 Characteristics

			Min	Typ	Max
Dissipation Factor	tg δ [x10 ⁻⁴]	≤ 1 µF			20
		> 1 µF			30
Insulation Resistance 1min à 23°C	R _i [MΩ]	≤ 0.33 µF	50000		
*					
Time Constant 1min à 23°C	R _i C [s]	> 0.33 µF	10000		
*					

* U_r - ≤ 63 V mesure under U_r

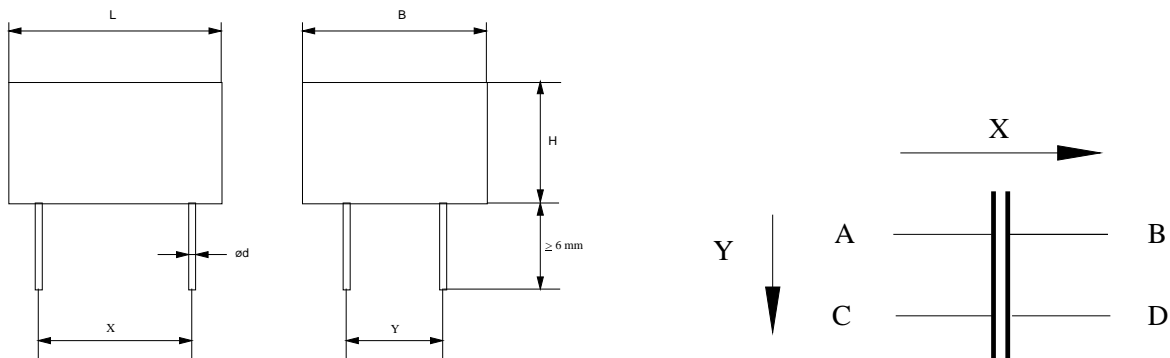
U_r > 63 V mesure under 100 V

Leclanché Capacitors for Critical Applications and Extreme Environments.

1400 Yverdon, Switzerland. Tel. +41 24 445 66 88 - Fax +41 24 445 66 89 capinfo@Lcap.ch www.Lcap.ch

3.0 Dimensions:

The capacitors are radial.



Housing dimensions

Boîtier	NF F 62-102 □max□						LECLANCHE					
	B	H	L	Y	X	ø	B	H	L	Y	X	ø
A	16	11	12	5.08	7.62	0.6	15.0	11.0	11.0	5.08	7.62	0.6
B	16	11	15	5.08	10.16	0.6	15.0	11.0	14.0	5.08	10.16	0.6
C	17	11	20	5.08	15.24	0.8	16.0	11.0	19.0	5.08	15.24	0.8
D	17	11	33	5.08	27.94	0.8	16.0	11.0	32.0	5.08	27.94	0.8
E	18	14	33	5.08	27.94	0.8	17.0	13.5	32.0	5.08	27.94	0.8
F	24	14	33	10.16	27.94	0.8	23.0	13.5	32.0	10.16	27.94	0.8
G	27	17	33	10.16	27.94	0.8	26.0	17.0	32.0	10.16	27.94	0.8

Capacitors delivered in bulk.

CKM501-4 BG 40 VDC

B4F6	Type	Cn [μF]	Dimensions						
			Case	B [mm]	H [mm]	L [mm]	Y [mm]	X [mm]	ø [mm]
1	CKM501-4 BG 4-039	0.390	A	15.0	11.0	11.0	5.08	7.62	0.60
2	CKM501-4 BG 4-047	0.470	A	15.0	11.0	11.0	5.08	7.62	0.60
3	CKM501-4 BG 4-056	0.560	A	15.0	11.0	11.0	5.08	7.62	0.60
4	CKM501-4 BG 4-068	0.68	A	15.0	11.0	11.0	5.08	7.62	0.60
5	CKM501-4 BG 4-082	0.82	B	15.0	11.0	14.0	5.08	10.16	0.60
6	CKM501-4 BG 4-1.0	1.00	B	15.0	11.0	14.0	5.08	10.16	0.60
7	CKM501-4 BG 4-1.2	1.20	B	15.0	11.0	14.0	5.08	10.16	0.60
8	CKM501-4 BG 4-1.5	1.50	B	15.0	11.0	14.0	5.08	10.16	0.60
9	CKM501-4 BG 4-1.8	1.80	C	16.0	11.0	19.0	5.08	15.24	0.80
10	CKM501-4 BG 4-2.2	2.20	C	16.0	11.0	19.0	5.08	15.24	0.80
11	CKM501-4 BG 4-2.7	2.70	C	16.0	11.0	19.0	5.08	15.24	0.80
12	CKM501-4 BG 4-3.3	3.30	C	16.0	11.0	19.0	5.08	15.24	0.80
13	CKM501-4 BG 4-3.9	3.90	D	16.0	11.0	32.0	5.08	27.94	0.80
14	CKM501-4 BG 4-4.7	4.70	D	16.0	11.0	32.0	5.08	27.94	0.80
15	CKM501-4 BG 4-5.6	5.60	D	16.0	11.0	32.0	5.08	27.94	0.80
16	CKM501-4 BG 4-6.8	6.80	D	16.0	11.0	32.0	5.08	27.94	0.80
17	CKM501-4 BG 4-8.2	8.20	E	17.0	13.5	32.0	5.08	27.94	0.80
18	CKM501-4 BG 4-10.0	10.00	E	17.0	13.5	32.0	5.08	27.94	0.80
19	CKM501-4 BG 4-12.0	12.00	F	23.0	13.5	32.0	10.16	27.94	0.80
20	CKM501-4 BG 4-15.0	15.00	F	23.0	13.5	32.0	10.16	27.94	0.80
21	CKM501-4 BG 4-18.0	18.00	G	26.0	17.0	32.0	10.16	27.94	0.80
22	CKM501-4 BG 4-22.0	22.00	G	26.0	17.0	32.0	10.16	27.94	0.80

CKM501-4 BG 63 VDC

B4F6 Pos.	Type	Cn [μF]	Dimensions						
			Case	B [mm]	H [mm]	L [mm]	Y [mm]	X [mm]	∅ lead [mm]
1	CKM501-4 BG 6-022	0.220	A	15.0	11.0	11.0	5.08	7.62	0.6
2	CKM501-4 BG 6-027	0.270	A	15.0	11.0	11.0	5.08	7.62	0.6
3	CKM501-4 BG 6-033	0.330	A	15.0	11.0	11.0	5.08	7.62	0.6
4	CKM501-4 BG 6-039	0.390	B	15.0	11.0	14.0	5.08	10.16	0.6
5	CKM501-4 BG 6-047	0.470	B	15.0	11.0	14.0	5.08	10.16	0.6
6	CKM501-4 BG 6-056	0.560	B	15.0	11.0	14.0	5.08	10.16	0.6
7	CKM501-4 BG 6-068	0.680	B	15.0	11.0	14.0	5.08	10.16	0.6
8	CKM501-4 BG 6-082	0.820	C	16.0	11.0	19.0	5.08	15.24	0.8
9	CKM501-4 BG 6-1.0	1.00	C	16.0	11.0	19.0	5.08	15.24	0.8
10	CKM501-4 BG 6-1.2	1.20	C	16.0	11.0	19.0	5.08	15.24	0.8
11	CKM501-4 BG 6-1.5	1.55	C	16.0	11.0	19.0	5.08	15.24	0.8
12	CKM501-4 BG 6-1.8	1.80	D	16.0	11.0	32.0	5.08	27.94	0.8
13	CKM501-4 BG 6-2.2	2.20	D	16.0	11.0	32.0	5.08	27.94	0.8
14	CKM501-4 BG 6-2.7	2.70	D	16.0	11.0	32.0	5.08	27.94	0.8
15	CKM501-4 BG 6-3.3	3.30	D	16.0	11.0	32.0	5.08	27.94	0.8
16	CKM501-4 BG 6-3.9	3.90	E	17.0	13.5	32.0	5.08	27.94	0.8
17	CKM501-4 BG 6-4.7	4.70	E	17.0	13.5	32.0	5.08	27.94	0.8
18	CKM501-4 BG 6-5.6	5.60	F	23.0	13.5	32.0	10.16	27.94	0.8
19	CKM501-4 BG 6-6.8	6.80	F	23.0	13.5	32.0	10.16	27.94	0.8
20	CKM501-4 BG 6-8.2	7.96	G	26.0	17.0	32.0	10.16	27.94	0.8
21	CKM501-4 BG 6-10.0	10.00	G	26.0	17.0	32.0	10.16	27.94	0.8

CKM501-4 BG 160 VDC

B4F6	Type	Cn [μF]	Dimensions						
			Case	B [mm]	H [mm]	L [mm]	Y [mm]	X [mm]	∅ lead[mm]
1	CKM501-4 BG 16-147	0.047	A	15.0	11.0	11.0	5.08	7.62	0.60
2	CKM501-4 BG 16-156	0.056	A	15.0	11.0	11.0	5.08	7.62	0.60
3	CKM501-4 BG 16-168	0.068	A	15.0	11.0	11.0	5.08	7.62	0.60
4	CKM501-4 BG 16-182	0.082	A	15.0	11.0	11.0	5.08	7.62	0.60
5	CKM501-4 BG 16-010	0.100	A	15.0	11.0	11.0	5.08	7.62	0.60
6	CKM501-4 BG 16-012	0.120	B	15.0	11.0	14.0	5.08	10.16	0.60
7	CKM501-4 BG 16-015	0.150	B	15.0	11.0	14.0	5.08	10.16	0.60
8	CKM501-4 BG 16-018	0.180	B	15.0	11.0	14.0	5.08	10.16	0.60
9	CKM501-4 BG 16-022	0.22	B	15.0	11.0	14.0	5.08	10.16	0.60
10	CKM501-4 BG 16-027	0.27	C	16.0	11.0	19.0	5.08	15.24	0.80
11	CKM501-4 BG 16-033	0.33	C	16.0	11.0	19.0	5.08	15.24	0.80
12	CKM501-4 BG 16-039	0.39	C	16.0	11.0	19.0	5.08	15.24	0.80
13	CKM501-4 BG 16-047	0.47	C	16.0	11.0	19.0	5.08	15.24	0.80
14	CKM501-4 BG 16-056	0.56	D	16.0	11.0	32.0	5.08	27.94	0.80
15	CKM501-4 BG 16-068	0.68	D	16.0	11.0	32.0	5.08	27.94	0.80
16	CKM501-4 BG 16-082	0.82	D	16.0	11.0	32.0	5.08	27.94	0.80
17	CKM501-4 BG 16-1.0	1.00	D	16.0	11.0	32.0	5.08	27.94	0.80
18	CKM501-4 BG 16-1.2	1.20	E	17.0	13.5	32.0	5.08	27.94	0.80
19	CKM501-4 BG 16-1.5	1.50	E	17.0	13.5	32.0	5.08	27.94	0.80
20	CKM501-4 BG 16-1.8	1.80	F	23.0	13.5	32.0	10.16	27.94	0.80
21	CKM501-4 BG 16-2.2	2.20	F	23.0	13.5	32.0	10.16	27.94	0.80
22	CKM501-4 BG 16-2.7	2.70	G	26.0	17.0	32.0	10.16	27.94	0.80
23	CKM501-4 BG 16-3.3	3.30	G	26.0	17.0	32.0	10.16	27.94	0.80

CKM501-4 BG 250 VDC

B4F6	Type	Cn [μF]	Dimensions						
			Case	B [mm]	H [mm]	L [mm]	Y [mm]	X [mm]	∅ lead [mm]
1	CKM501-4 BG 25-127	0.027	A	15.0	11.0	11.0	5.08	7.62	0.60
2	CKM501-4 BG 25-133	0.033	A	15.0	11.0	11.0	5.08	7.62	0.60
3	CKM501-4 BG 25-139	0.036	A	15.0	11.0	11.0	5.08	7.62	0.60
4	CKM501-4 BG 25-147	0.047	A	15.0	11.0	11.0	5.08	7.62	0.60
5	CKM501-4 BG 25-156	0.056	B	15.0	11.0	14.0	5.08	10.16	0.60
6	CKM501-4 BG 25-168	0.068	B	15.0	11.0	14.0	5.08	10.16	0.60
7	CKM501-4 BG 25-182	0.082	B	15.0	11.0	14.0	5.08	10.16	0.60
8	CKM501-4 BG 25-010	0.100	B	15.0	11.0	14.0	5.08	10.16	0.60
9	CKM501-4 BG 25-012	0.120	C	16.0	11.0	19.0	5.08	15.24	0.80
10	CKM501-4 BG 25-015	0.150	C	16.0	11.0	19.0	5.08	15.24	0.80
11	CKM501-4 BG 25-018	0.180	C	16.0	11.0	19.0	5.08	15.24	0.80
12	CKM501-4 BG 25-022	0.220	C	16.0	11.0	19.0	5.08	15.24	0.80
13	CKM501-4 BG 25-027	0.270	D	16.0	11.0	32.0	5.08	27.94	0.80
14	CKM501-4 BG 25-033	0.330	D	16.0	11.0	32.0	5.08	27.94	0.80
15	CKM501-4 BG 25-039	0.390	D	16.0	11.0	32.0	5.08	27.94	0.80
16	CKM501-4 BG 25-047	0.470	D	16.0	11.0	32.0	5.08	27.94	0.80
17	CKM501-4 BG 25-056	0.560	E	17.0	13.5	32.0	5.08	27.94	0.80
18	CKM501-4 BG 25-068	0.680	E	17.0	13.5	32.0	5.08	27.94	0.80
19	CKM501-4 BG 25-082	0.820	F	23.0	13.5	32.0	10.16	27.94	0.80
20	CKM501-4 BG 25-1.0	1.00	F	23.0	13.5	32.0	10.16	27.94	0.80
21	CKM501-4 BG 25-1.2	1.20	G	26.0	17.0	32.0	10.16	27.94	0.80
22	CKM501-4 BG 25-1.5	1.50	G	26.0	17.0	32.0	10.16	27.94	0.80

CKM501-4 BG 400 VDC

B4F6	Type	Cn [μF]	Dimensions						
			Case	B [mm]	H [mm]	L [mm]	Y [mm]	X [mm]	∅ lead[mm]
1	CKM501-4 BG 40-118	0.018	A	15.0	11.0	11.0	5.08	7.62	0.60
2	CKM501-4 BG 40-122	0.022	A	15.0	11.0	11.0	5.08	7.62	0.60
3	CKM501-4 BG 40-127	0.027	A	15.0	11.0	11.0	5.08	7.62	0.60
4	CKM501-4 BG 40-133	0.033	A	15.0	11.0	11.0	5.08	7.62	0.60
5	CKM501-4 BG 40-139	0.039	B	15.0	11.0	14.0	5.08	10.16	0.60
6	CKM501-4 BG 40-147	0.047	B	15.0	11.0	14.0	5.08	10.16	0.60
7	CKM501-4 BG 40-156	0.056	B	15.0	11.0	14.0	5.08	10.16	0.60
8	CKM501-4 BG 40-168	0.068	B	15.0	11.0	14.0	5.08	10.16	0.60
9	CKM501-4 BG 40-182	0.082	C	16.0	11.0	19.0	5.08	15.24	0.80
10	CKM501-4 BG 40-010	0.100	C	16.0	11.0	19.0	5.08	15.24	0.80
11	CKM501-4 BG 40-012	0.120	C	16.0	11.0	19.0	5.08	15.24	0.80
12	CKM501-4 BG 40-015	0.150	C	16.0	11.0	19.0	5.08	15.24	0.80
13	CKM501-4 BG 40-018	0.180	D	16.0	11.0	32.0	5.08	27.94	0.80
14	CKM501-4 BG 40-022	0.220	D	16.0	11.0	32.0	5.08	27.94	0.80
15	CKM501-4 BG 40-027	0.270	D	16.0	11.0	32.0	5.08	27.94	0.80
16	CKM501-4 BG 40-033	0.330	D	16.0	11.0	32.0	5.08	27.94	0.80
17	CKM501-4 BG 40-039	0.390	E	17.0	13.5	32.0	5.08	27.94	0.80
18	CKM501-4 BG 40-047	0.470	E	17.0	13.5	32.0	5.08	27.94	0.80
19	CKM501-4 BG 40-056	0.560	F	23.0	13.5	32.0	10.16	27.94	0.80
20	CKM501-4 BG 40-068	0.680	F	23.0	13.5	32.0	10.16	27.94	0.80
21	CKM501-4 BG 40-082	0.820	G	26.0	17.0	32.0	10.16	27.94	0.80
22	CKM501-4 BG 40-1.0	1.00	G	26.0	17.0	32.0	10.16	27.94	0.80

CKM501-4 BG 630 VDC

B4F6 Pos.	Type	Cn [μF]	Dimensions						
			Case	B [mm]	H [mm]	L [mm]	Y [mm]	X [mm]	ø lead[mm]
1	CKM501-4 BG 63-210	0.0010	A	15.0	11.0	11.0	5.08	7.62	0.60
2	CKM501-4 BG 63-212	0.0012	A	15.0	11.0	11.0	5.08	7.62	0.60
3	CKM501-4 BG 63-215	0.0015	A	15.0	11.0	11.0	5.08	7.62	0.60
4	CKM501-4 BG 63-218	0.0018	A	15.0	11.0	11.0	5.08	7.62	0.60
5	CKM501-4 BG 63-222	0.0022	A	15.0	11.0	11.0	5.08	7.62	0.60
6	CKM501-4 BG 63-227	0.0027	A	15.0	11.0	11.0	5.08	7.62	0.60
7	CKM501-4 BG 63-233	0.0033	A	15.0	11.0	11.0	5.08	7.62	0.60
8	CKM501-4 BG 63-239	0.0039	A	15.0	11.0	11.0	5.08	7.62	0.60
9	CKM501-4 BG 63-247	0.0047	A	15.0	11.0	11.0	5.08	7.62	0.60
10	CKM501-4 BG 63-256	0.0056	A	15.0	11.0	11.0	5.08	7.62	0.60
11	CKM501-4 BG 63-268	0.0068	A	15.0	11.0	11.0	5.08	7.62	0.60
12	CKM501-4 BG 63-282	0.0082	A	15.0	11.0	11.0	5.08	7.62	0.60
13	CKM501-4 BG 63-110	0.010	A	15.0	11.0	11.0	5.08	7.62	0.60
14	CKM501-4 BG 63-112	0.012	A	15.0	11.0	11.0	5.08	7.62	0.60
15	CKM501-4 BG 63-115	0.015	A	15.0	11.0	11.0	5.08	7.62	0.60
16	CKM501-4 BG 63-118	0.018	B	15.0	11.0	14.0	5.08	10.16	0.60
17	CKM501-4 BG 63-122	0.022	B	15.0	11.0	14.0	5.08	10.16	0.60
18	CKM501-4 BG 63-127	0.027	B	15.0	11.0	14.0	5.08	10.16	0.60
19	CKM501-4 BG 63-133	0.033	B	15.0	11.0	14.0	5.08	10.16	0.60
20	CKM501-4 BG 63-139	0.039	C	16.0	11.0	19.0	5.08	15.24	0.80
21	CKM501-4 BG 63-147	0.047	C	16.0	11.0	19.0	5.08	15.24	0.80
22	CKM501-4 BG 63-156	0.055	C	16.0	11.0	19.0	5.08	15.24	0.80
23	CKM501-4 BG 63-168	0.068	C	16.0	11.0	19.0	5.08	15.24	0.80
24	CKM501-4 BG 63-182	0.082	D	16.0	11.0	32.0	5.08	27.94	0.80
25	CKM501-4 BG 63-010	0.100	D	16.0	11.0	32.0	5.08	27.94	0.80
26	CKM501-4 BG 63-012	0.120	D	16.0	11.0	32.0	5.08	27.94	0.80
27	CKM501-4 BG 63-015	0.150	D	16.0	11.0	32.0	5.08	27.94	0.80
28	CKM501-4 BG 63-018	0.180	E	17.0	13.5	32.0	5.08	27.94	0.80
29	CKM501-4 BG 63-022	0.220	E	17.0	13.5	32.0	5.08	27.94	0.80
30	CKM501-4 BG 63-027	0.270	F	23.0	13.5	32.0	10.16	27.94	0.80
31	CKM501-4 BG 63-033	0.330	F	23.0	13.5	32.0	10.16	27.94	0.80
32	CKM501-4 BG 63-039	0.390	G	26.0	17.0	32.0	10.16	27.94	0.80
33	CKM501-4 BG 63-047	0.470	G	26.0	17.0	32.0	10.16	27.94	0.80