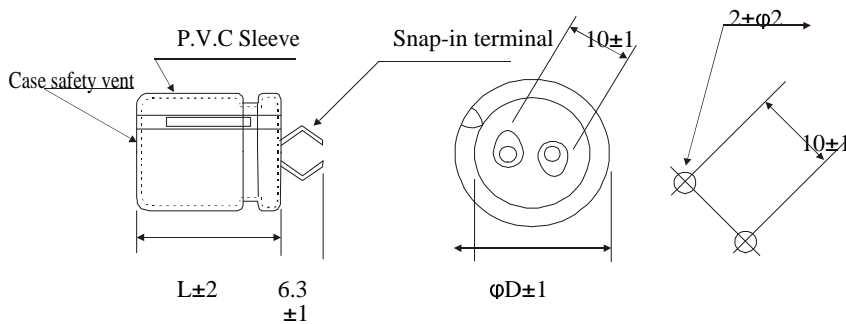


Part Number LCap : Snap-In GH-V00 63-6800 30050

Size: $\Phi D \times L$ ( mm )	30X50		
Capacitors ( $\mu F$ )	6800		
Capacitance Tolerance (at 20°C 120Hz)	$\pm 20\%$ ( M )		
Voltage WV(V)	63		
Operating Temperature Range (°C)	-40~+105°C		
Leakage Current ( at 20°C , after 5 minutes )( $\mu A$ )	$\leq 3000$		
Dissipation Factor (Tan $\delta$ ) (at 20°C 120Hz)	$\leq 0.25$		
Rated Ripple Current (mArms) (at 105°C 120Hz)	1550		
Low Temperature Characteristics (at 120Hz)	Impedance ratio	Z(-25°C)/Z(+20°C)	2
		Z(-40°C)/Z(+20°C)	6
Load Life	After 2000 hours application of DC rated working voltage at 105°C, the capacitor shall meet the following limits:		
	Capacitance change	$\leq \pm 20\%$ of the initial measured value	
	Tan $\delta$	$\leq 200\%$ of the initial specified value.	
	DC Leakage Current	$\leq$ the initial specified value.	
Shelf Life	After storage for 1000 hours at 105°C, the capacitor shall meet the following limits:		
	Capacitance change	$\leq \pm 20\%$ of the initial measured value	
	Tan $\delta$	$\leq 200\%$ of the initial specified value.	
	DC Leakage Current	$\leq$ the initial specified value.	
Others	Conforms to characteristic in JISC 5141		

**DRAWING**

**Unit: mm**



$\Phi D + 1.0$	$L + 2.0$	$P \pm 1.0$
$30 + 1.0$	$50 + 2.0$	$10.0$