

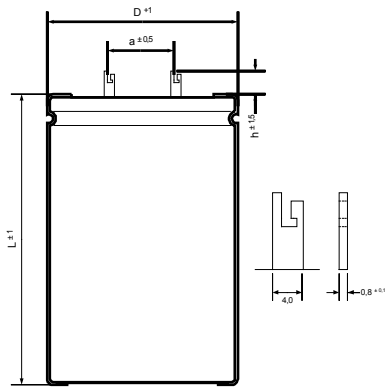
Leclanché Capacitors
48, av. de Grandson
1400 Yverdon, Switzerland



Tel. +41 24 445 66 88
Fax +41 24 445 66 89
capinfo@Lcap.ch
www.Lcap.ch

Drawing No. : 100010998
created from : hm 19/03/2013 11:27:00

Part Number : LFAE50230045100



∅ D : 45 mm
L : 100 mm
a : 10 mm
h : 10 mm

Terminals : solder lugs

Electrical Parameter

Rated Capacitance (C_R) @ 100 Hz / 20 °C	5000 μ F	
Tolerance	±10 %	
Rated Voltage (U_R)	300 V	
Surge Voltage (U_S) max. 5 x 1 min / h	330 V	
Reverse Voltage (U_U) max. 1 s	2 V	
Leakage Current (I_L) @ U_R / 5 min / 20 °C	9000 μ A	
ESR typ. @ 100 Hz / 20°C	16 m Ω	
Tan δ typ. @ 100 Hz / 20°C	5 %	
Z max. @ 10 kHz / 20°C	14 m Ω	
ESL typ.	20 nH	
IEC Climatic category / Standards	40/065/56	IEC 60384-4
Applications	photo flash	
Your article No. / Project		