

Non flammable electrolyte

Screw terminals

High CV product

Long life 8000 h @ 85°C

RoHS compliant
REACH compliant

Features

- All internal contact welded
- Self distinguishing electrolyte
- High capacitance
- High reliability

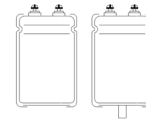
Applications

- Industrial
- Inverter/drives
- Professional photoflash
- Welding

Different case sizes, voltages and capacitance combinations are available on request. Also in small lots.

General specifications

Items		Characteristics
Rated capacitance range C_R		390 ... 18.000 μF
Capacitance tolerance		$\pm 20\%$
Rated voltage range U_R		350 ... 450 V
Surge voltage U_S		$U_S = 1,10 U_R$
Max. reverse voltage / ESL		2 V / 20 nH
Category temperature range		- 25°C ... + 85°C
Leakage current I_L after 5 min @ U_R		$\leq 0,008 * C_R [\mu F] * U_R [V] + 6 \mu A [\mu A]$
Useful life	8000 h @ 85 °C ; $U_R ; I_{R-}$	Requirements $\Delta C/C \leq 30\%$ of initial value $ESR \leq 300\%$ of specified limit $I_L \leq /$ specified limit
Endurance test	2000 h @ 85 °C , U_R	Requirements $\Delta C/C \leq 20\%$ of initial value $ESR \leq 130\%$ of specified limit $I_L \leq$ specified limit
Climatic category IEC 60068		25/085/56
Voltage proof of the external insulation		≥ 2500 V AC
Sectional specification		IEC 60384-4



Drawings for series GFA and GFB

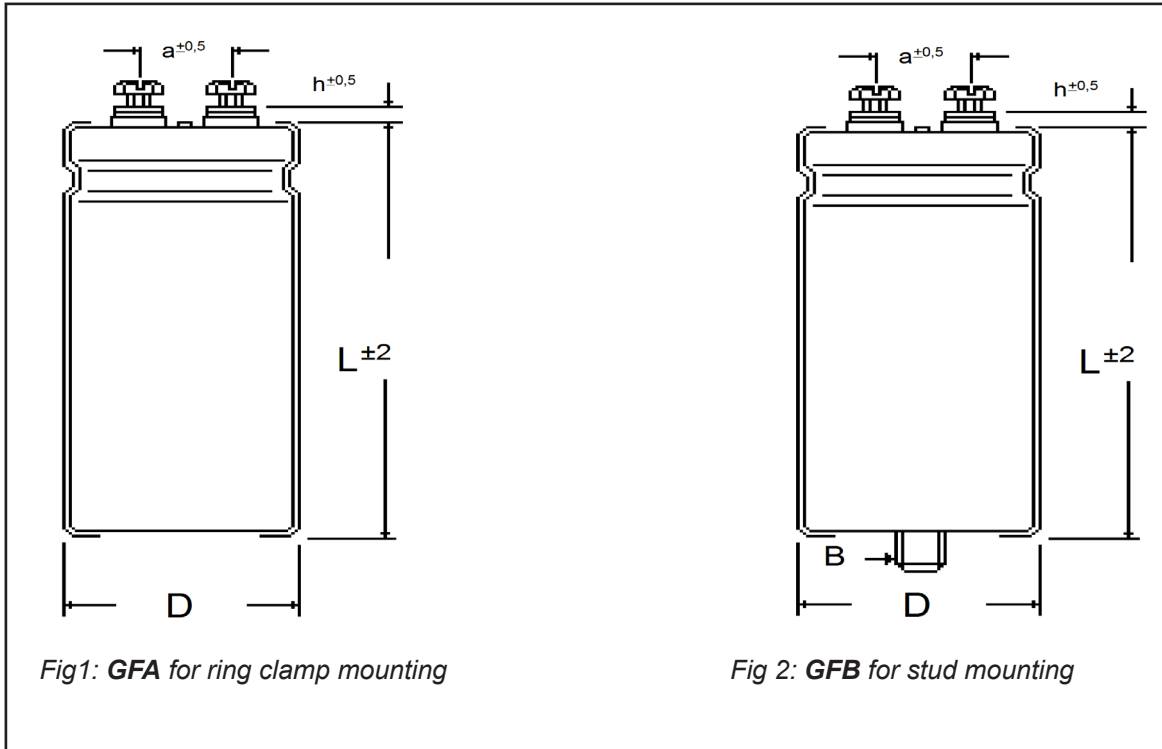


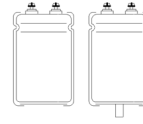
Fig1: **GFA** for ring clamp mounting

Fig 2: **GFB** for stud mounting

Dimensions and mechanical data

Dimensions, case with insulation sleeve			Connecting terminals		Mounting stud, GFB only	
D [mm]	h [mm]	a [mm]	Thread	Max. torque [Nm]	B	Max. torque [Nm]
35	6	13	M 5	2,0	M 8 x 12	4,0
40	5	18	M 5	2,0	M 8 x 12	4,0
50	5	22	M 5	2,0	M 12 x 16	10,0
65	5	28,5	M 5	2,0	M 12 x 16	10,0
75	5	31,7	M 5, M 6	2,0 ; 2,5	M 12 x 16	10,0
90	5	31,7	M 6	2,5	M 12 x 16	10,0

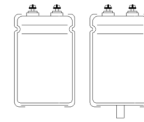
	GFA : connecting screws M 5 or M 6 GFB : connecting screws M 5 or M 6 + mounting nut M 8 or M 12
Remarks	Further mounting accessories like clamps, nylon cup nuts and insulation disks on request, see "accessory equipment"



Electrical data and ordering code for series GF

Rated voltage U_R [V]	Rated cap. C_R [μ F]	Case size D x L [mm]	Typ. ESR 100 Hz, 20°C [m Ω]	Ripple current IR~ 100 Hz, 85°C [A]	Order code
					Plain base: GFA...
					Stud mounting: GFB...
350	560	35x55	199	1,8	56135035055
	680	40x55	164	2,1	68135040055
	1200	45x70	93	3,0	12235045070
	1500	35x100	74	3,7	15235035100
	1800	40x100	62	4,3	18235040100
	1800	50x70	62	4,0	18235050070
	2200	45x100	51	4,7	22235045100
	2700	50x100	41	5,6	27235050100
	3300	65x80	34	6,4	33235065080
	4700	75x100	24	8,3	47235075100
	5600	65x130	20	10,0	56235065130
	8200	75x145	14	12,6	82235075145
	12000	75x225	9	18,3	12335075225
	12000	90x148	9	17,1	12335090148
18000	90x230	6	25,1	18335090230	
400	390	35x55	286	1,5	39140035055
	560	40x55	199	1,9	56140040055
	1000	45x70	111	2,8	10240045070
	1000	35x100	111	3,0	10240035100
	1200	40x100	93	3,5	12240040100
	1200	50x70	93	3,2	12240050070
	1500	45x100	74	3,9	15240045100
	1800	50x100	62	4,5	18240050100

Rated voltage U_R [V]	Rated cap. C_R [μ F]	Case size D x L [mm]	Typ. ESR 100 Hz, 20°C [m Ω]	Ripple current IR~ 100 Hz, 85°C [A]	Order code
					Plain base: GFA...
					Stud mounting: GFB...
400	2200	65x80	51	5,2	22240065080
	3900	75x100	29	7,5	39240075100
	3900	65x130	29	8,3	39240065130
	6800	75x145	16	11,5	68240075145
	10000	90x148	11	15,6	10340090148
	12000	75x225	9	18,3	12340075225
	18000	90x230	6	25,1	18340090230
	450	390	35x55	286	1,5
560		35x100	199	0,9	56145035000
680		40x55	164	2,1	68145040055
820		40x60	136	2,4	82145040060
1000		45x70	111	3,2	10245045100
1200		40x100	93	3,5	12245040100
1200		50x70	93	3,2	12245050070
1200		45x100	93	3,5	12245045100
1800		50x100	62	4,5	18245050100
1800		65x80	62	4,7	18245065080
3900		75x100	29	7,5	39245075100
3300		65x130	34	7,7	33245065130
5600		75x145	20	10,4	56245075145
8200		75x225	14	15,1	82245075225
10000		90x148	11	15,6	10345090148
15000	90x230	7	22,9	15345090230	



Useful life
as a function of ambient temperature and actual ripple current

