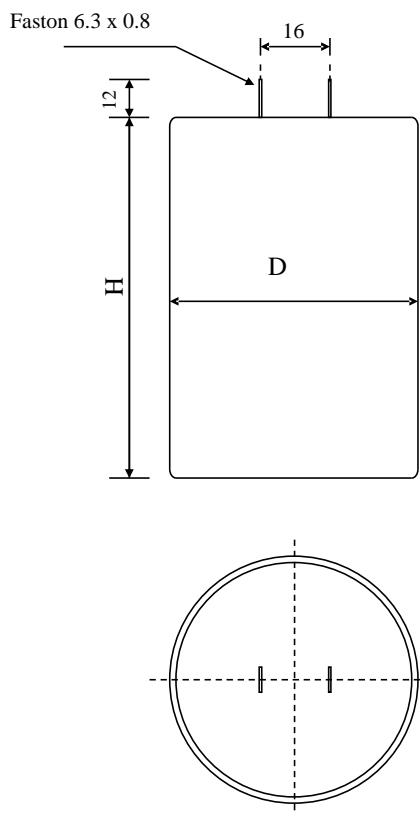


#6268

Discharge Capacitors

PPMF 200-135.0 c2 K



Dielectric of metallized polypropylene

FAST-ON 6.3 x 0.8 mm

Epoxy resin end sealing

Aluminium case

Parameter	Symbol	Value	Unit	Condition
Capacitance	C	135	μF	1 V / 1 kHz
Tolerance		± 10	%	
Rated voltage	Un DC	2000	VDC	
slope of voltage variation	du/dt max.	14.8	V/ μsec	max. repetitive
Repetitive surge current	I cr. max	2000	A	
RMS Current	I _{eff} max	6	A _{eff}	10 kHz
Tangent delta	tg δ	≤ 70	10^{-4}	1 V / 100 Hz
Stray inductance	ESL	≤ 100	nH	
Insulation resistance	Ri	> 74	M Ω	500 VDC - 1 min
Test voltage between terminals	U T1	2300	VDC	60 s.
Test voltage terminals to case	U T2	3500	VAC	50 Hz / 1 min
Operating Temperature		-25 to + 50	$^{\circ}\text{C}$	
Estimated operational life		30'000	cycles	2000 V / 2000 A

Dimension	Symbol	Value	Unit	Conditions
Diameter	D	55	mm	
Height	H	102	mm	
Terminals				
Fast-on		6.3 x 0.8	mm	
	M1			
	M0			
	Modification	Date	Visa émetteur	

Condensateurs CH 1400 Yverdon, Switzerland
 Kondensatoren Tel.: ++41 24 445 66 88
 Capacitors Fax: ++41 24 445 66 89

Lecaniché
Capacitors
A FISCHER & TASSI SCHWABEN COMPANY

HJJ

www.Lcap.ch
 27.02.2014

capinfo@Lcap.ch
 faisab6268.XLS