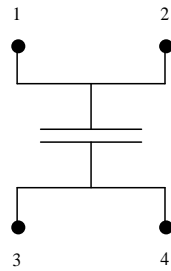
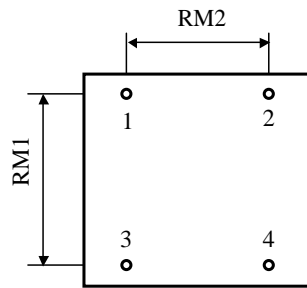


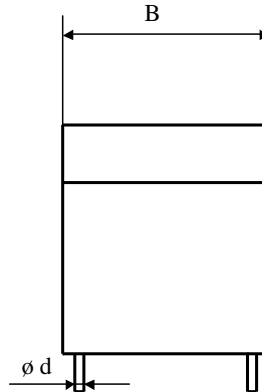
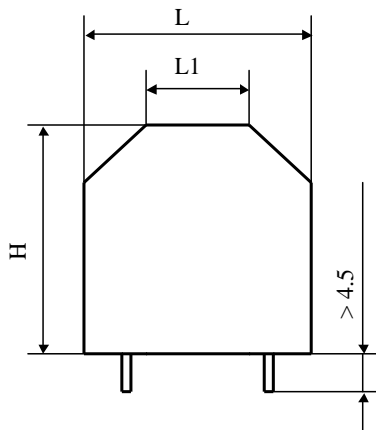
#5943

METALLIZED POLYPROPYLENE CAPACITORS

PPMJC-4 90-15.0 g K



Printed circuit board mounting



Self-extinguishing plastic housing

Epoxy resin sealing

Parameter	Symbol	Value	Unit	Condition
Capacitance	C	15	µF	1 V / 1 kHz
Tolerance		± 10	%	
Rated voltage	Un DC	900	VDC	
Rated voltage	Un AC	165	Veff	50 Hz to 400 Hz
RMS current	I RMS max.	21	Aeff	10 kHz to 50 kHz
slope of voltage variation	du/dt max.	64	V/µsec	max. repetitive
Repetitive surge current	I cr. max	960	A	
Tangent delta	tgδ	≤ 7	10 <sup>-4</sup>	1 kHz
Equivalent serie resistance	ESR	≤ 3.93	mΩ	1 V / 10 kHz
Stray inductance	ESL	≤ 15	nH	
Insulation resistance	Ri x C	> 20'000	s	100 VDC - 1 min
Test voltage between terminals	U T1	1350	VDC	10 s
Climatic category		40/105/56		
Estimated operational life (-3%)		> 100'000	h	Un DC / 70°C
Dimension	Symbol	Value	Unit	Conditions
Width	B	36	mm	
Length	L	40	mm	
	L1	18	mm	
Height	H	40	mm	
Terminals tinned wire	ø d	1.2	mm	
RM1		30	mm	
RM2		25	mm	
	M1			
	M0			
	Modification	Date	Visa émetteur	

Condensateurs CH 1400 Yverdon, Switzerland  
 Kondensatoren Tel.: ++41 24 445 66 88  
 Capacitors Fax: ++41 24 445 66 89

**Leclanché**  
**Capacitors**  
A FISCHER & TAUSSIG COMPANY

HJJ

www.Lcap.ch  
 09.06.2010

capinfo@Lcap.ch  
 faisab5943.XLS