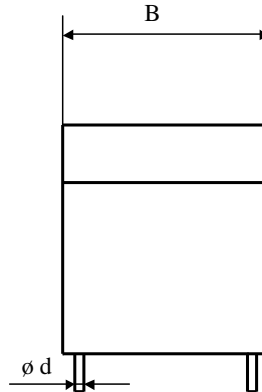
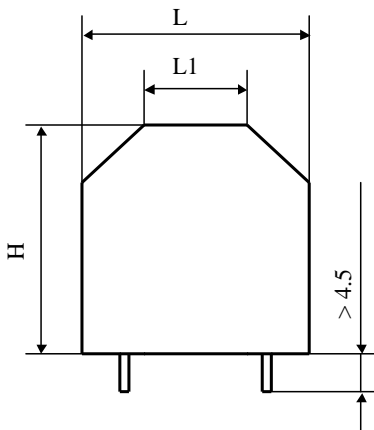
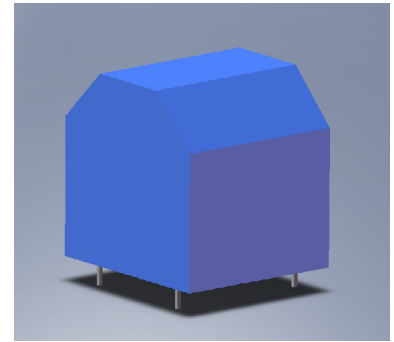
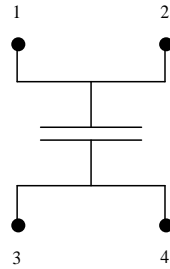
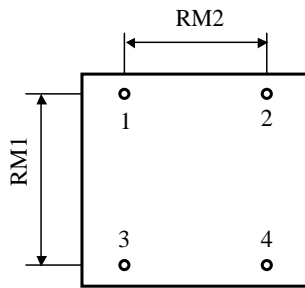


#6022

METALLIZED POLYPROPYLENE CAPACITORS

PPMJC-4 80-20.0 g K



Printed circuit board mounting

Self-extinguishing plastic housing

Epoxy resin sealing

Parameter	Symbol	Value	Unit	Condition
Capacitance	C	20	$\mu\text{F}$	1 V / 1 kHz
Tolerance		$\pm 10$	%	
Rated voltage	$U_n \text{ DC}$	800	VDC	
RMS current	I RMS max.	23	A <sub>eff</sub>	10 kHz to 50 kHz
Slope of voltage variation	du/dt max.	51	V/ $\mu\text{sec}$	max. repetitive
Repetitive surge current	I cr. max	1020	A	
Tangent delta	$\text{tg}\delta$	$\leq 7$	$10^{-4}$	1 kHz
Equivalent serie resistance	ESR	$\leq 3.7$	m $\Omega$	1 V / 10 kHz
Stray inductance	ESL	$\leq 15$	nH	
Insulation resistance	$R_i \times C$	$> 20'000$	s	100 VDC - 1 min
Test voltage between terminals	U T1	1200	VDC	10 s
Climatic category		40/105/56		
Estimated operational life (-3%)		$> 100'000$	h	$U_n \text{ DC} / 70^\circ\text{C}$
Dimension	Symbol		Unit	Conditions
Width	B	36	mm	
Length	L	40	mm	
	L1	18	mm	
Height	H	40	mm	
Terminals tinned wire	$\phi d$	1.2	mm	
RM1		$30 \pm 0.5$	mm	
RM2		$25 \pm 0.5$	mm	
	M1			
	M0			
	Modification	Date	Visa émetteur	

Condensateurs CH 1400 Yverdon, Switzerland  
 Kondensatoren Tel.: ++41 24 445 66 88  
 Capacitors Fax: ++41 24 445 66 89

**Leclanché**  
**Capacitors**  
A FISCHER & TAUSSIG COMPANY

HJJ

www.Lcap.ch  
 28.06.2011

capinfo@Lcap.ch  
 faisab6022.XLS