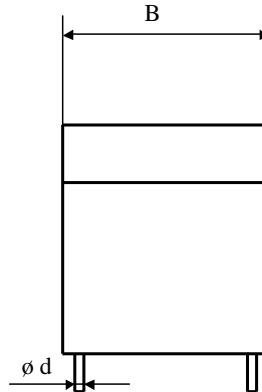
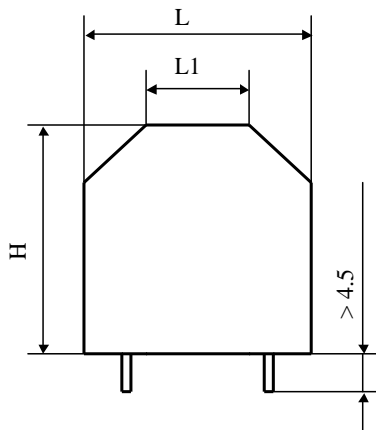
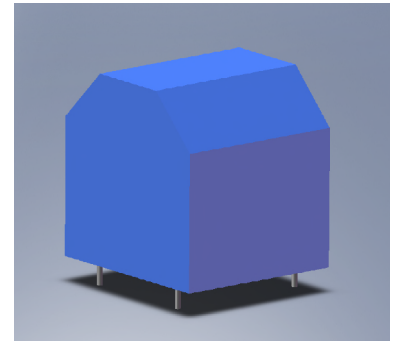
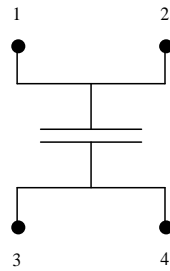
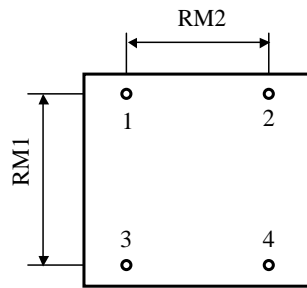


#6026

METALLIZED POLYPROPYLENE CAPACITORS

PPMJC-4 50-8.0 g K



Printed circuit board mounting

Self-extinguishing plastic housing

Epoxy resin sealing

Parameter	Symbol	Value	Unit	Condition
Capacitance	C	8	μF	1 V / 1 kHz
Tolerance		± 10	%	
Rated voltage	Un DC	500	VDC	
Rated voltage	Un AC	230	V RMS	50 Hz to 400 Hz
RMS current	I RMS	19	Aeff	10 kHz to 25 kHz
Slope of voltage variation	du/dt max.	60	V/μsec	max. repetitive
Repetitive surge current	I cr. max	480	A	
Tangent delta	tgδ	≤ 4	10 ⁻⁴	1 kHz
Equivalent serie resistance	ESR	≤ 4.2	mΩ	1 V / 10 kHz
Stray inductance	ESL	≤ 15	nH	
Insulation resistance	Ri x C	> 20'000	s	100 VDC - 1 min
Test voltage between terminals	U T1	800	VDC	10 s
Climatic category		40/105/56		
Estimated operational life (-3%)		> 100'000	h	Un DC / 70°C

Dimension	Symbol	Value	Unit	Conditions
Width	B	36	mm	
Length	L	40	mm	
	L1	18	mm	
Height	H	40	mm	
Terminals tinned wire	ø d	1.2	mm	
RM1		30 ± 0.5	mm	
RM2		25 ± 0.5	mm	

M1

M0

Modification

Date

Visa émetteur

Condensateurs CH 1400 Yverdon, Switzerland
 Kondensatoren Tel.: ++41 24 445 66 88
 Capacitors Fax: ++41 24 445 66 89

Leclanché
Capacitors
A FISCHER & TAUSSIG COMPANY

HJJ

www.Lcap.ch
 13.07.2011

capinfo@Lcap.ch
 faisab6026.XLS