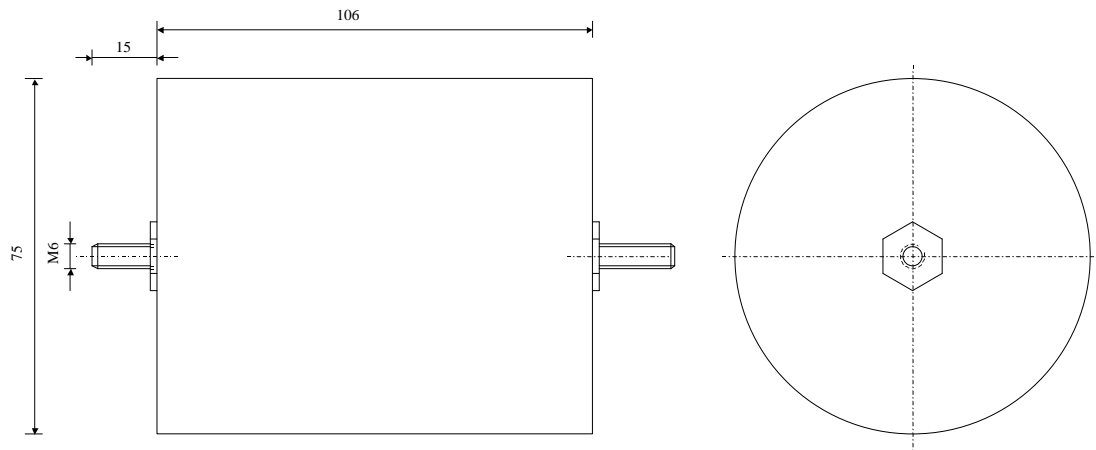


#5536

Discharge capacitors

PPMF 700-020 uv K



Dielectric of metallized polypropylene - Plastic tube

Polyurethane resin end sealing - Threaded outputs

Parameter	Symbol		Value	Unit	Condition
Capacitance	C		0.2	$\mu\text{F}$	1 V / 1 kHz
Tolerance			$\pm 10$	%	
Rated voltage	$U_n \text{ DC}$		7'000	VDC	
Reversal Voltage	U inv.		80	%	max.
RMS Current max	$I_{\text{eff}}$		13	A	30 to 500 kHz
Repetitive surge current	$I_{\text{cr. max}}$		4000	A	
Tangente delta dielectric	$\text{tg}\delta_o$		2	$10^{-4}$	
Serie resistance	RS		$\leq 22$	$\text{m}\Omega$	
Stray inductance	ESL		$\leq 80$	nH	
Insulation resistance	$R_i \times C$		$> 30'000$	s	500 VDC - 1 min
Test voltage between terminals	U T1		13'000	VDC	60 s
Climatic category (IEC68)			25/70/56		
Estimated operational life (-10%)			$6 \times 10^6$	Discharges	4000 A / 7 kV 8 Hz
Dimension	Symbol			Unit	Conditions
Diameter	$\varnothing D$		75	mm	
Heigth	H		106	mm	
Terminals					
Thread			M6 x 15	mm	
	M1				
	M0				
	Modification	Date	Visa émetteur		

Condensateurs CH 1401 Yverdon-les-Bains  
 Kondensatoren Tel.: ++41 24 445 66 88  
 Capacitors Fax: ++41 24 445 66 89

**Le Janché**  
**Capacitors**  
A FISCHER & TAUSSCH COMPANY

HJJ

26.01.2006

faisab5536.XLS