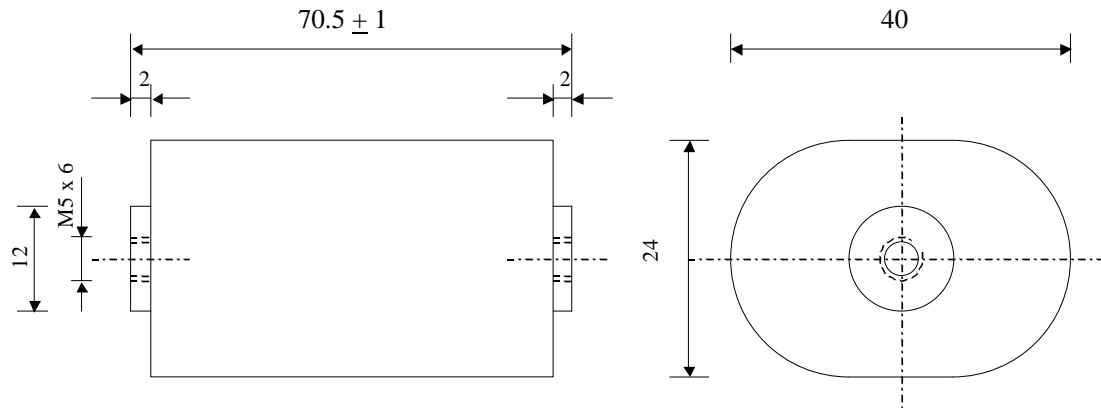


#5621

Power Electronics Capacitors

PPMF 50-5.0 dfv K



Dielectric of metallized polypropylene - Plastic sleeve

Epoxy resin end sealing - Threaded outputs

Parameter	Symbol		Value	Unit	Condition
Capacitance	C		5	$\mu\text{F}$	1 V / 1 kHz
Tolerance			$\pm 10$	%	
Rated voltage	Un DC		500	VDC	
Rated voltage	Un RMS		250	Veff	50 to 1000 Hz
RMS Current max	Ieff		10	A	10 kHz
slope of voltage variation	du/dt max.		100	V/ $\mu\text{sec}$	max. repetitive
Repetitive surge current	I cr. max		500	A	
Tangente delta	tg $\delta$		8	$10^{-4}$	1 kHz
Stray inductance	ESL		$\leq 15$	nH	
Insulation resistance	Ri x C		$> 20'000$	s	300 VDC - 1 min
Test voltage between terminals	U T1		800	VDC	10 s
Climatic category (IEC68)			25/70/56		
Estimated operational life (-10%)			$> 10'000$	Pulses	500 V / 500 A
Dimension	Symbol			Unit	Conditions
Width	B max		40	mm	
Height	H max		24	mm	
Length	L		$70.5 \pm 1$	mm	
Terminals					
Thread			M5 x 6	mm	
	D1		12	mm	
	M1				
	M0				
	Modification	Date	Visa émetteur		

Condensateurs CH 1401 Yverdon-les-Bains  
 Kondensatoren Tel.: ++41 24 445 66 88  
 Capacitors Fax: ++41 24 445 66 89

**Le Janché**  
**Capacitors**  
A FISCHER & FAUSCHER COMPANY

HJJ

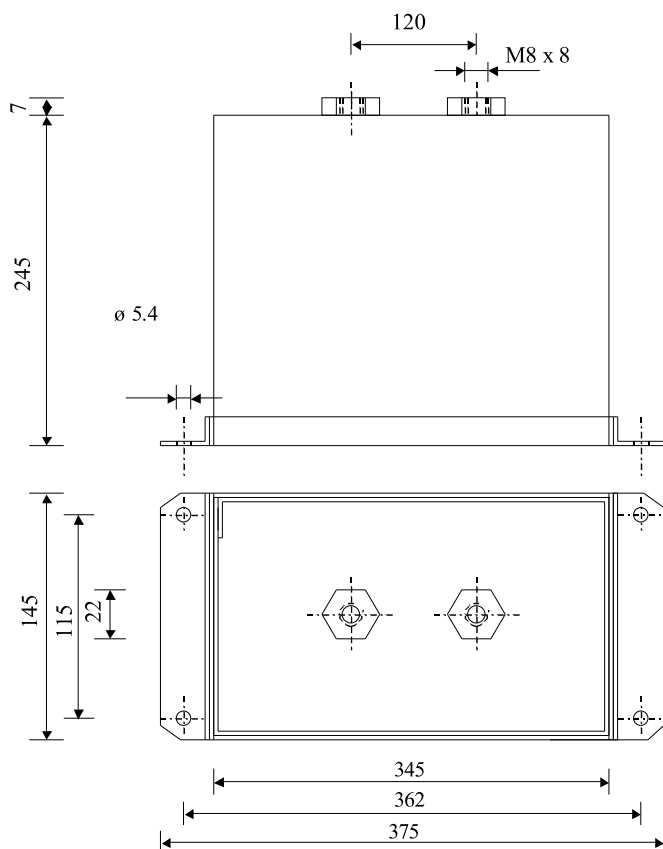
14.12.2006

faisab5621.XLS

#5752

## Discharge Capacitors

PPMF 50-8000.0 r K



Dielectric of metallized polypropylene

Threaded outputs

Resin end sealing

Aluminium case  
thick 1.2 mm

Parameter	Symbol	Value	Unit	Condition
Capacitance	C	8000	$\mu$ F	1 V / 1 kHz
Tolerance		$\pm 10$	%	
Rated voltage	Un DC	500	VDC	
Surge current	I cr. max	2'000	A	
Equivalent serie resistance	ESR	$\leq 2$	m $\Omega$	1 kHz
Stray inductance	ESL	$\leq 120$	nH	
Insulation resistance	Ri x C	$> 20'000$	s	500 VDC - 1 min
Test voltage between terminals	U T1	1'000	VDC	10 s
Test voltage between terminals to case	U T2	2'500	VAC	50 Hz - 1 min
Operating temp.		$- 25 / + 70$	$^{\circ}$ C	
Estimated operational life (-3%)		100 M	Pulses	500 V / 2000 A
Dimension	Symbol	Value	Unit	Conditions
Width	B	145	mm	
Length	L	345	mm	
Height	H	245	mm	
Thread		M8 x 8	mm	
Thread spacing		120	mm	
	M1			
	M0			
	Modification	Date	Visa émetteur	

Condensateurs

CH 1401 Yverdon-les-Bains

Kondensatoren

Tel.: ++41 24 445 66 88

Capacitors

Fax: ++41 24 445 66 89

**Le lancé**  
**Capacitors**  
A FISCHER & VANSCHE COMPANY

HJJ

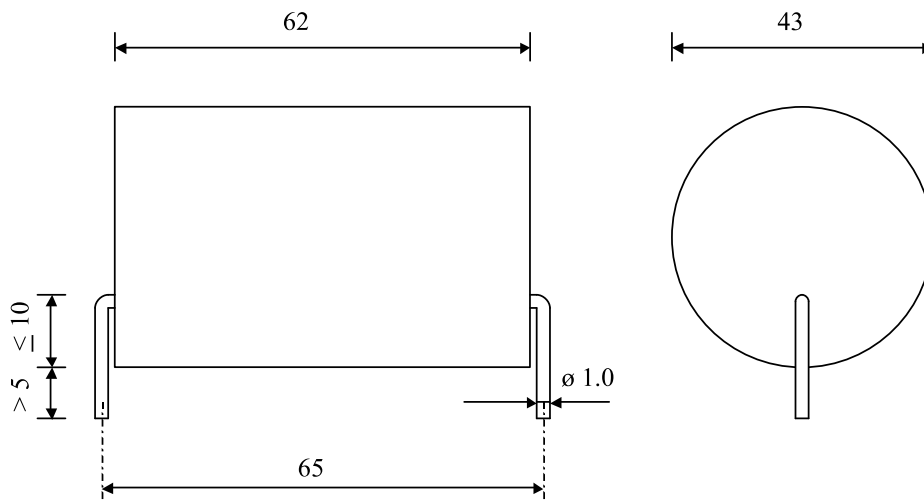
17.09.2008

faisab5752.XLS

#5432

## Discharge Capacitors

PPMF 100-20.0 d K



Dielectric of metallized polypropylene

Plastic sleeve / Epoxy resin end sealing

Parameter	Symbol		Value	Unit	Condition
Capacitance	C		20	$\mu$ F	1 V / 1 kHz
Tolerance			$\pm 10$	%	
Rated voltage	Un DC		1000	VDC	
Rated voltage	Un AC		330	VAC	50 - 300 Hz
RMS Current	I <sub>eff</sub> max.		12	A <sub>eff</sub>	f > 300 Hz
slope of voltage variation	du/dt max.		21.8	V/ $\mu$ sec	max. repetitive
Repetitive surge current	I <sub>cr</sub> max		435	A	20 Hz max
Tangent delta	tg $\delta$		9	$10^{-4}$	1 V / 1 kHz
Tangent delta	tg $\delta$		70	$10^{-4}$	1 V / 10 kHz
Stray inductance	ESL		$\leq 60$	nH	
Insulation resistance	R <sub>i</sub>		1000	M $\Omega$	100 VDC - 1 min
Test voltage between terminals	U <sub>T1</sub>		1440	VDC	10 s
Operating temperature			- 40 / + 85	$^{\circ}$ C	
Estimated operational life (-10%)			$10^7$	Pulses	435 A / 0.6 Un 20 Hz max / $\leq 45^{\circ}$ C
Dimension	Symbol			Unit	Conditions
Diameter	$\emptyset$		43	mm	
Height	H		62	mm	
Terminals					
Axial tinned wire	d		1	mm	
	RM		65	mm	
	M1				
	M0	21.12.2007	HJJ		
	Modification	Date	Visa émetteur		

Condensateurs CH 1400 Yverdon-les-Bains  
 Kondensatoren Tel.: ++41 24 445 66 88  
 Capacitors Fax: ++41 24 445 66 89

**Le Janché**  
**Capacitors**  
A FRESHER & YAUSSIE COMPANY

289

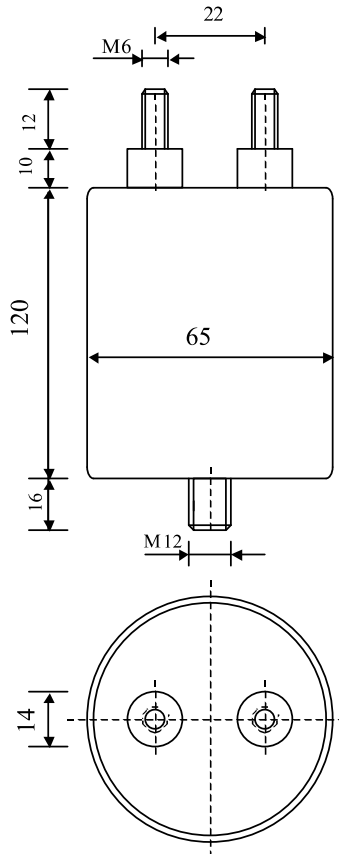
13.08.2004

faisab5432.XLS

#5774

## Discharge CAPACITORS

PPMF 100-50.0 cv5 J



Preliminary  
data sheet

Dielectric of metallized  
polypropylene

Threaded outputs

Resin end sealing

Aluminium case

Parameter	Symbol	Value	Unit	Condition
Capacitance	C	50	$\mu\text{F}$	1 V / 1 kHz
Tolerance		$\pm 5$	%	
Rated voltage	Un DC	1000	VDC	
RMS Current permanent	I <sub>eff max.</sub>	35	A <sub>eff</sub>	2 kHz to 10 kHz
Repetitive surge current	I <sub>cr. max.</sub>	700	A	
Equivalent serie resistance	ESR	4.5	m $\Omega$	1 V / 10 kHz
Stray inductance	ESL	$\leq 80$	nH	
Insulation resistance	R <sub>i</sub> x C	$\geq 30'000$	s	300 VDC - 1 min
Test voltage between terminals	U T1	1600	VDC	10 s
Test voltage terminals to case	U T2	2500	VAC	50 Hz / 1 min
Operating temperature		-10 / + 50	$^{\circ}\text{C}$	
Estimated operational life (-5 %)		$> 5 \times 10^9$	Discharges	1000 V / 700 A

Dimension	Symbol	Value	Unit	Conditions
Diameter	D	65	mm	
Height	H	120	mm	
Terminals				
Thread		M6 x 12	mm	
Thread spacing	e	22	mm	
Fixing stud		M12 x 16	mm	
	M1			
	M0			
	Modification	Date	Visa émetteur	

Condensateurs CH 1400 Yverdon-les-Bains  
Kondensatoren Tel.: ++41 24 447 22 82  
Capacitors Fax: ++41 24 447 22 85

**Le lanché**  
**Capacitors**  
A FISCHER & FAISCHÉ COMPANY

HJJ

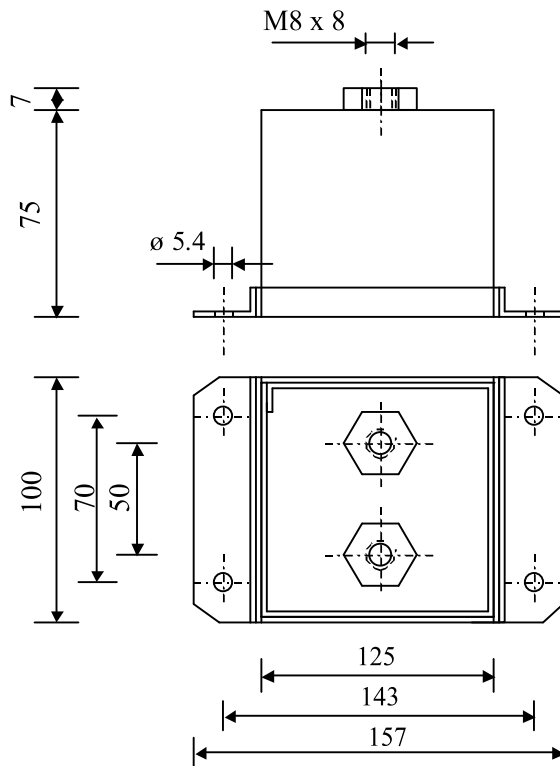
02.12.2008

faisab5774.XLS

#5714

## Discharge Capacitors

PPMF 105-50.0 r



Preliminary  
Data Sheet

Dielectric of metallized  
polypropylene

Threaded outputs

Resin end sealing

Aluminium case  
thick 1.2 mm

Parameter	Symbol	Value	Unit	Condition
Capacitance	C	50	$\mu\text{F}$	1 V / 1 kHz
Tolerance		+ 10 / - 0	%	
Rated voltage	Un DC	1'050	VDC	
Maximum voltage	Us max.	1'500	V	
Rated voltage	Un AC	360	Veff	50 Hz
RMS Current	I RMS max	20	Aeff	10 kHz
slope of voltage variation	du/dt max.	80	V/ $\mu\text{sec}$	max. repetitive
Repetitive surge current	I cr. max	4000	A	
Tangent delta	tg $\delta$	22	1C <sup>4</sup>	1 V / 1 kHz
Equivalent serie resistance	ESR	$\leq 7$	m $\Omega$	10 kHz
Stray inductance	ESL	$\leq 150$	nH	
Insulation resistance	Ri x C	> 20'000	s	500 VDC - 1 min
Test voltage between terminals	U T1	4'500	VDC	10 s
Test voltage between terminals to case	U T2	3'500	VAC	50 Hz - 1 min
Operating temp.		- 25 / + 70 °C		
Estimated operational life (-3%)		> 20'000	Pulses	1500 V / 4000 A
Maximum repetition rate	Fr. max	30	Hz	limited for the I RMS

Dimension	Symbol	Value	Unit	Conditions
Width	B	100	mm	
Length	L	125	mm	
Height	H	75	mm	
Thread		M8 x 8	mm	
Thread spacing		50	mm	
	M1			
	M0			
	Modification	Date	Visa émetteur	

Condensateurs CH 1400 Yverdon-les-Bains  
Kondensatoren Tel.: ++41 24 445 66 88  
Capacitors Fax: ++41 24 445 66 89

**Le Lanché**  
**Capacitors**  
A FISCHER & TANGHE COMPANY

HJJ

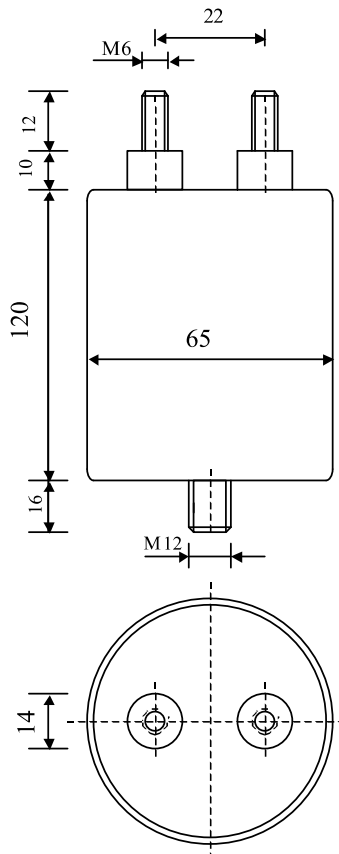
09.04.2008

faisab5714.XLS

#5773

## Discharge CAPACITORS

PPMF 150-22.0 cv5 J



Preliminary  
data sheet

Dielectric of metallized  
polypropylene

Threaded outputs

Resin end sealing

Aluminium case

Parameter	Symbol	Value	Unit	Condition
Capacitance	C	22	$\mu\text{F}$	1 V / 1 kHz
Tolerance		$\pm 5$	%	
Rated voltage	Un DC	1500	VDC	
RMS Current permanent	I <sub>eff max.</sub>	35	A <sub>eff</sub>	2 kHz to 10 kHz
Repetitive surge current	I <sub>cr. max.</sub>	500	A	
Equivalent serie resistance	ESR	4.5	m $\Omega$	1 V / 10 kHz
Stray inductance	ESL	$\leq 80$	nH	
Insulation resistance	R <sub>i</sub> x C	$\geq 30'000$	s	300 VDC - 1 min
Test voltage between terminals	U T1	2400	VDC	10 s
Test voltage terminals to case	U T2	2500	VAC	50 Hz / 1 min
Operating temperature		-10 / + 50	$^{\circ}\text{C}$	
Estimated operational life (-5 %)		$> 5 \times 10^9$	Discharges	1500 V / 500 A

Dimension	Symbol	Value	Unit	Conditions
Diameter	D	65	mm	
Height	H	120	mm	
Terminals				
Thread		M6 x 12	mm	
Thread spacing	e	22	mm	
Fixing stud		M12 x 16	mm	
	M1			
	M0			
	Modification	Date	Visa émetteur	

Condensateurs CH 1400 Yverdon-les-Bains  
Kondensatoren Tel.: ++41 24 447 22 82  
Capacitors Fax: ++41 24 447 22 85

**Le lanché**  
**Capacitors**  
A FISCHER & FAISCHÉ COMPANY

HJJ

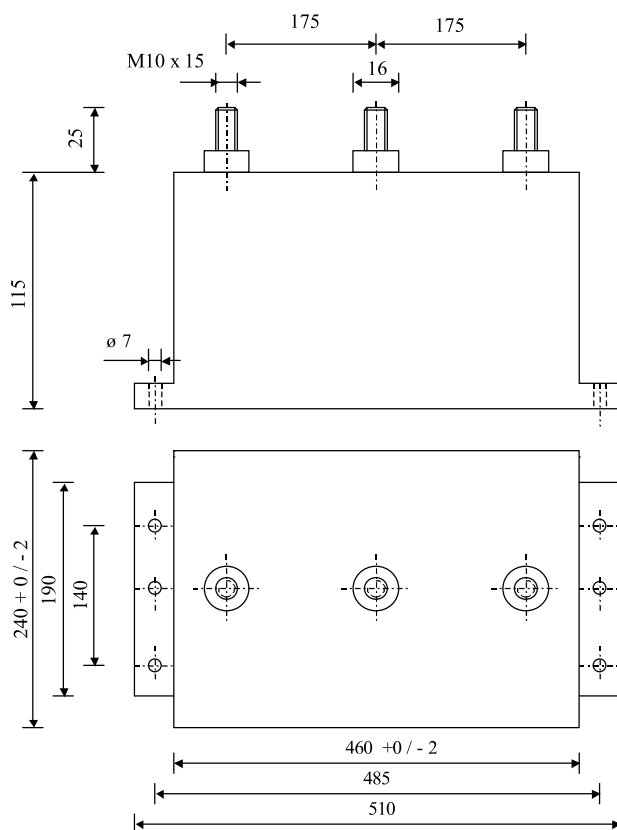
02.12.2008

faisab5773.XLS

#5754

## DISCHARGE CAPACITORS

PPMF 150-2x480.0 ru K



Preliminary  
Data Sheet

Dielectric  
metallized polypropylene

Plastic case  
Resin filled

Parameter	Symbol	Value	Unit	Condition
Capacitance	C	2 x 480	$\mu\text{F}$	1 V / 1 kHz
Tolerance		$\pm 10$	%	
Rated voltage	Un DC	1'500	VDC	
Repetitive surge current	I cr. max	18	kA	
Tangente delta	tg $\delta$	400	$10^{-4}$	1 V / 1 kHz
Equivalent serie resistance	ESR	< 13	m $\Omega$	10 kHz
Stray inductance	ESL	$\leq 150$	nH	
Insulation resistance	Ri x C	> 20'000	s	500 VDC - 1 min
Test voltage between terminals	U T1	3'000	VDC	1 min
Test voltage between terminals to case	U T2	8'000	VDC	1 min
Operating temp.		- 15 / + 60 °C		
Estimated operational life with inverse voltage max. 95 %		> 30'000	Pulses	1.5 kV / 18 kA
Dimension	Symbol	Value	Unit	Conditions
Width	B	240	mm	
Height	H	115	mm	
Length	L	460	mm	
Terminals				
Thread	3 x	M10 x 15	mm	
	M1			
	M0			
	Modification	Date	Visa émetteur	

Condensateurs CH 1400 Yverdon-les-Bains  
Kondensatoren Tel.: ++41 24 445 66 88  
Capacitors Fax: ++41 24 445 66 89

**Le Laniché**  
**Capacitors**  
A FISCHER & TAUSSIG COMPANY

HJJ

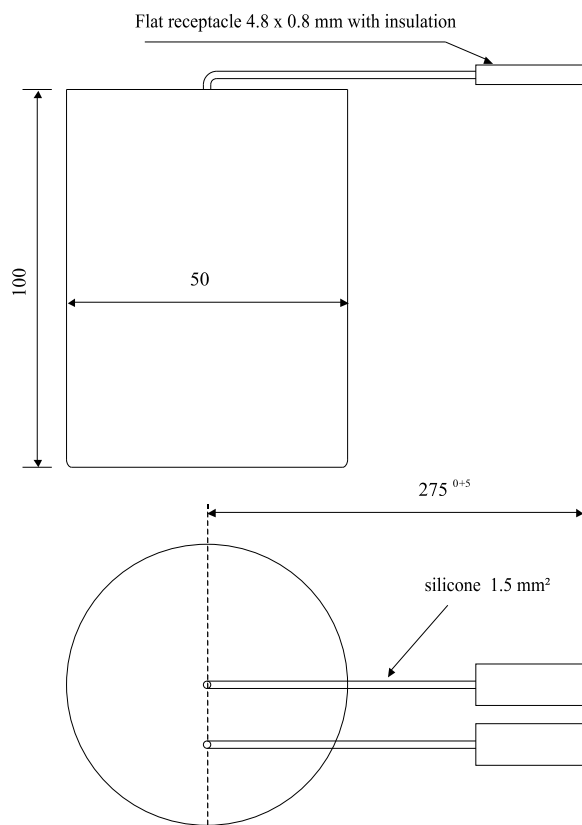
01.10.2008

faisab5754.XLS

#5546

## Defibrillator Capacitor

PPMF 165-200.0 c3 J



Dielectric of metallized polypropylene

polyurethane resin end sealing

Aluminium case

Parameter	Symbol	Value	Unit	Condition
Capacitance	C	200	$\mu\text{F}$	1 V / 100 Hz
Tolerance		$\pm 5$	%	
Rated voltage	Un DC	1650	VDC	
Max peak current	I cr. max	82	A	
Tangente delta	$\text{tg}\delta$	100	$10^{-4}$	1 V / 100 Hz
Insulation resistance between terminals	Ri	> 60	M $\Omega$	100 VDC - 1 min
Test voltage between terminals	U T1	1750	VDC	2 s.
Test voltage terminals to case	U T2	2550	VDC	1 min
Operating temp.		- 20 / + 60 °C		
Estimated operational life (-5%)		> 3000	shocks	1650 V / 50 $\Omega$
Dimension	Symbol	Value	Unit	Conditions
Diameter	D	50	mm	
Height	H	100		
Terminals				
silicone cable	l	275	mm	
section	s	1.5	mm <sup>2</sup>	
Flat receptacle with insulation		4.8 x 0.8	mm	
	M1			
	M0			
	Modification	Date	Visa émetteur	

Condensateurs  
Kondensatoren  
Capacitors

CH 1401 Yverdon-les-Bains  
Tel.: ++41 24 445 66 88  
Fax: ++41 24 445 66 89

**Le Janché**  
**Capacitors**  
A FISCHER & TAUSSIG COMPANY

HJJ

22.03.2006

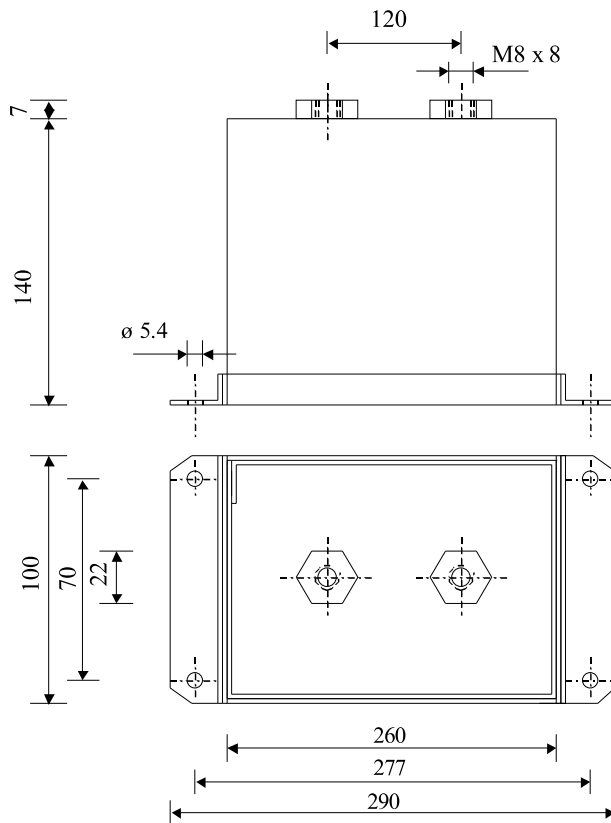
faisab5546.XLS



#5748

## Discharge Capacitors

PPMF 165-2330.0 r K



Dielectric of metallized polypropylene

Threaded outputs

Resin end sealing

Aluminium case  
thick 1.2 mm

Parameter	Symbol	Value	Unit	Condition
Capacitance	C	2330	$\mu\text{F}$	1 V / 1 kHz
Tolerance		$\pm 10$	%	
Rated voltage	Un DC	1'650	VDC	
Surge current	I cr. max	20'000	A	
Equivalent serie resistance	ESR	$\leq 4$	$\text{m}\Omega$	10 kHz
Stray inductance	ESL	$\leq 200$	nH	
Insulation resistance	Ri x C	$> 20'000$	s	500 VDC - 1 min
Test voltage between terminals	U T1	1'800	VDC	10 s
Test voltage between terminals to case	U T2	2'500	VAC	50 Hz - 1 min
Operating temp.		- 25 / + 70 °C		
Estimated operational life (-3%)		$> 2$	Pulses	1650 V / 20'000 A
Dimension	Symbol		Unit	Conditions
Width	B	100	mm	
Length	L	260	mm	
Height	H	140	mm	
Thread		M8 x 8	mm	
Thread spacing		120	mm	
	M1			
	M0			
	Modification	Date	Visa émetteur	

Condensateurs  
Kondensatoren  
CapacitorsCH 1401 Yverdon-les-Bains  
Tel.: ++41 24 445 66 88  
Fax: ++41 24 445 66 89

**Le lanché**  
**Capacitors**  
A FISCHER & TAUERSCHE COMPANY

HJJ

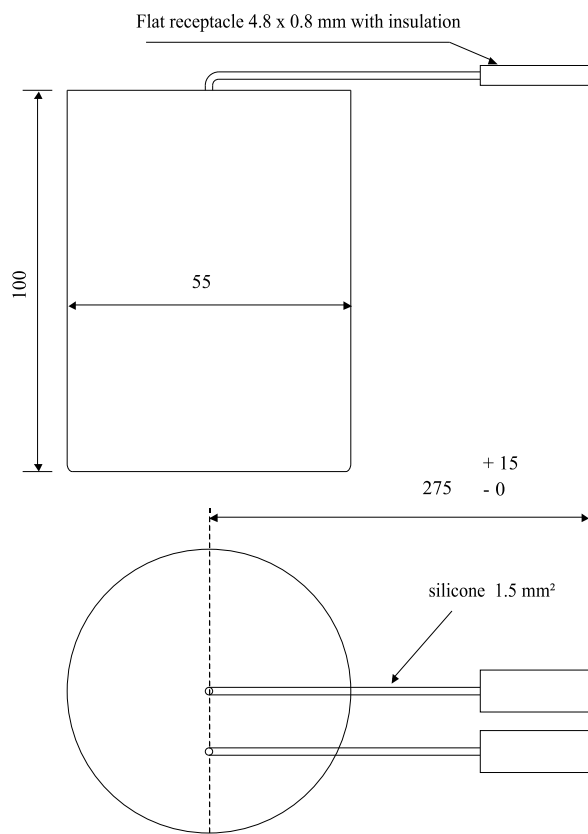
02.09.2008

faisab5748.XLS

#5710

## Defibrillator Capacitor

PPMF 170-200.0 c3 J



Dielectric of metallized polypropylene

polyurethane resin end sealing

Aluminium case

Parameter	Symbol	Value	Unit	Condition
Capacitance	C	200	$\mu\text{F}$	1 V / 100 Hz
Tolerance		$\pm 5$	%	
Rated voltage	Un DC	1700	VDC	
Max peak current	I cr. max	85	A	
Tangent delta	$\text{tg}\delta$	100	$10^{-4}$	1 V / 100 Hz
Insulation resistance between terminals	Ri	> 60	M $\Omega$	100 VDC - 1 min
Test voltage between terminals	U T1	1800	VDC	2 s.
Test voltage terminals to case	U T2	2550	VDC	1 min
Operating temp.		- 20 / + 60 °C		
Estimated operational life (-5%)		> 3000	shocks	1700 V / 50 $\Omega$
Dimension	Symbol	Value	Unit	Conditions
Diameter	D	55	mm	
Height	H	100		
Terminals				
silicone cable	l	275	mm	
section	s	1.5	mm <sup>2</sup>	
Flat receptacle with insulation		4.8 x 0.8	mm	
	M1			
	M0			
	Modification	Date	Visa émetteur	

Condensateurs CH 1400 Yverdon-les-Bains  
 Kondensatoren Tel.: ++41 24 445 66 88  
 Capacitors Fax: ++41 24 445 66 89

**Le Janché**  
**Capacitors**  
A FRODINER & FALSCHE COMPANY

HJJ

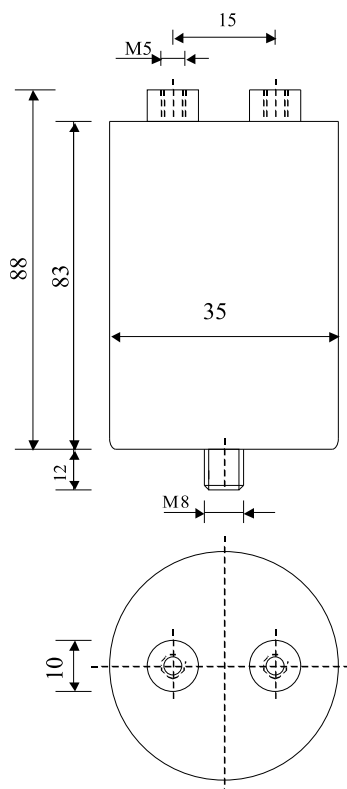
11.03.2008

faisab5710.XLS

#4252

## Discharge Capacitors

PPMF 200-2.0 cv6 K



Dielectric of metallized polypropylene

Threaded outputs

Resin end sealing

Aluminium case

Parameter	Symbol	Value	Unit	Condition
Capacitance	C	2	$\mu\text{F}$	1 V / 1 kHz
Tolerance		$\pm 10$	%	
Rated voltage	Un DC	2000	VDC	
Rated voltage	Un AC	660	Veff	50 Hz to 1 kHz
RMS Current	I <sub>eff</sub>	13	A <sub>eff</sub>	$f \geq 10000$ Hz
slope of voltage variation	du/dt max.	130	V/ $\mu\text{sec}$	max. repetitive
Repetitive surge current	I cr. max	260	A	
Tangent delta	tg $\delta$	3	$10^{-4}$	1 V / 1 kHz
Equivalent serie resistance	ESR	$\leq 10$	m $\Omega$	10 kHz
Stray inductance	ESL	$\leq 150$	nH	
Insulation resistance between terminals	R <sub>i</sub>	$>10'000$	M $\Omega$	500 VDC - 1 min
Test voltage between terminals	U T1	3000	VDC	10 s
Test voltage terminals to case	U T2	3000	VAC	50 Hz / 1 min
Operating temp.		- 25 / + 70 °C		
Estimated operational life (-3%)		$10 \times 10^6$	Pulses	2000 V / 260 A

Dimension	Symbol	Value	Unit	Conditions
Diameter	$\varnothing D$	35	mm	
Height	H	83	mm	
Terminals				
Thread		M5 x 10	mm	
Thread spacing	e	15	mm	
Fixing stud		M8 x 12	mm	

	M1			
	M0			
	Modification	Date	Visa émetteur	

Condensateurs CH 1400 Yverdon-les-Bains  
 Kondensatoren Tel.: ++41 24 445 66 88  
 Capacitors Fax: ++41 24 445 66 89

**Le lanché**  
**Capacitors**  
A FISCHER & PAUSCH COMPANY

HJJ

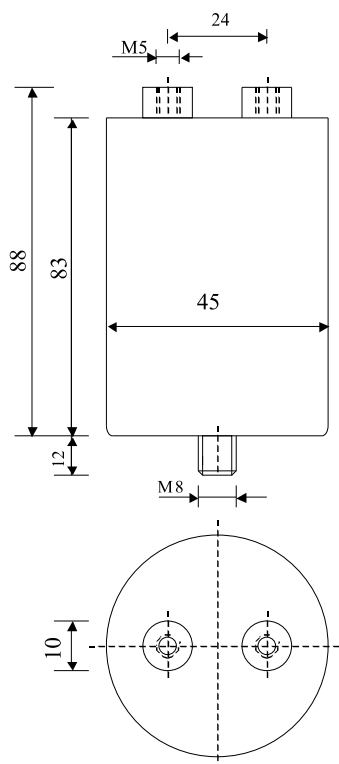
17.10.2007

PPMF4252.xls

#9543

## Discharge Capacitors

PPMF 200-4.0 cv6 K



Dielectric of metallized polypropylene

Threaded outputs

Resin end sealing

Aluminium case

Parameter	Symbol	Value	Unit	Condition
Capacitance	C	4	$\mu\text{F}$	1 V / 1 kHz
Tolerance		$\pm 10$	%	
Rated voltage	Un DC	2000	VDC	
Rated voltage	Un AC	660	Veff	50 Hz to 700 Hz
RMS Current	I <sub>eff</sub>	20	A <sub>eff</sub>	$f \geq 10000$ Hz
slope of voltage variation	du/dt max.	130	V/ $\mu\text{sec}$	max. repetitive
Repetitive surge current	I cr. max	520	A	
Tangent delta	tg $\delta$	4	$10^{-4}$	1 V / 1 kHz
Equivalent series resistance	ESR	$\leq 14$	m $\Omega$	10 kHz
Stray inductance	ESL	$\leq 150$	nH	
Insulation resistance between terminals	R <sub>i</sub>	$> 5000$	M $\Omega$	500 VDC - 1 min
Test voltage between terminals	U T1	3000	VDC	10 s
Test voltage terminals to case	U T2	3000	VAC	50 Hz / 1 min
Operating temp.		- 25 / + 70 °C		
Estimated operational life (-3%)		$10 \times 10^6$	Pulses	2000 V / 520 A
Dimension	Symbol	Value	Unit	Conditions
Diameter	$\varnothing D$	45	mm	
Height	H	83	mm	
Terminals				
Thread		M5 x 10	mm	
Thread spacing	e	24	mm	
Fixing stud		M8 x 12	mm	
	M1			
	M0			
	Modification	Date	Visa émetteur	

Condensateurs CH 1400 Yverdon-les-Bains  
 Kondensatoren Tel.: ++41 24 445 66 88  
 Capacitors Fax: ++41 24 445 66 89

**Le lanché**  
**Capacitors**  
A FISCHER & PAUSCH COMPANY

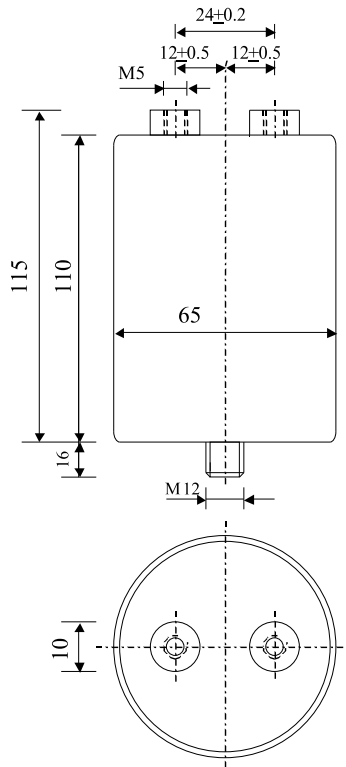
HJJ

17.10.2007

PPMF9543.xls

# 5338

## Discharge Capacitor

TYPE  
PPMF 200-10.0 cv6Aluminium housing  $\varnothing$  65 x 110 mm

2x M5 x 10 mm inserts

Resin-epoxy end seal

Parameters	Symbol	Values	Unit	Conditions
Capacitance	C	10	$\mu$ F	20°C, 1 kHz
Tolerance		$\pm 10$	%	
Nominal Voltage DC	Un DC	2000	VDC	
Nominal Voltage AC	UnAC	800	VAC	50 - 600 Hz
Peak Voltage	Us	2500	V	
Max Current	I eff	30	A eff	600 Hz - 100 kHz
Max Peak Repetitive Current	I cr.	1300	A	
Tangent delta	tg $\delta$	$\leq 5 \text{ E-}4$		1 V - 50 Hz
Serial resistance	ESR	$\leq 5.0$	m $\Omega$	1 V - 10 kHz
Time Constant	Ri x C	$\geq 10'000$	s	500 V - 1 min
Serial Inductance	ESL	$\leq 190$	nH	
Climatic Category		25/70/56		
Test Voltage between terminals	Ut 1	3000	VDC	10 s
Test Voltage between terminals & housing	Ut 2	3000	VAC	50 Hz - 1 min
Lifetime		$100 \times 10^6$	décharges	2000 V / 1300 A

Dimensions	Symbol	Values	Unit	Conditions
Diamètre	D	65	mm	
Longueur totale	H	110	mm	
Connexions				
Inserts		M5 x 10	mm	
Entraxe		24	mm	

Valeurs indicatives, sous réserve de modification	M2			
	M1	09.02.2004		
	M0	15.09.2003	JJH	
	Modification	Date	Visa émetteur	

Condensateurs CH 1400 Yverdon, Switzerland

Kondensatoren Tel.: ++41 24 445 66 88

Capacitors Fax: ++41 24 245 66 89

  
A PROCHER & WASSER COMPANY

289

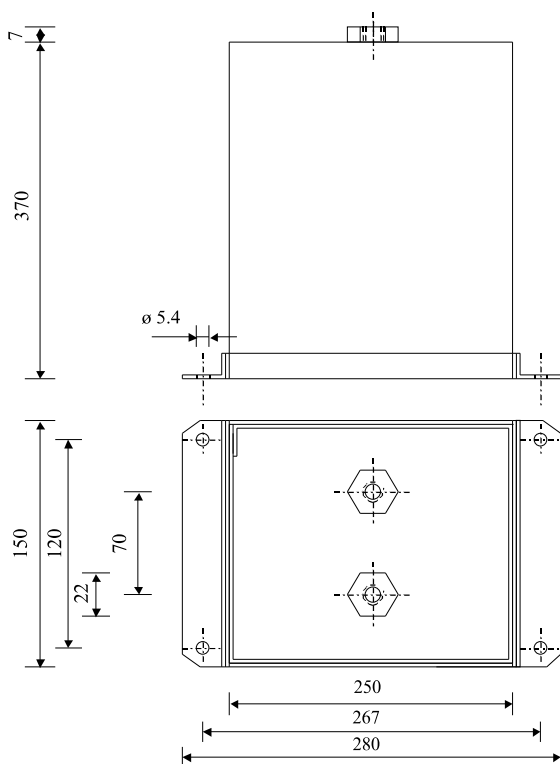
24.09.2002

faisab5338.XLS

#5528

## Discharge Capacitors

PPMF 200-700.0 r K



Dielectric of metallized polypropylene

Threaded outputs

Resin end sealing

Aluminium case  
thick 1.2 mm

Parameter	Symbol		Value	Unit	Condition
Capacitance	C		700	$\mu\text{F}$	1 V / 1 kHz
Tolerance			$\pm 10$	%	
Rated voltage	Un DC		2'000	VDC	
Maximum voltage	Us max.		2'500	V	non. rep.
Rated voltage	Un AC		500	Veff	50 Hz
RMS Current	Ieff max		100	Aeff	
Repetitive surge current	I cr. max		10'000	A	
Non repetitive surge current	I s		40'000	A	
Tangent delta	tg $\delta$		65	$10^{-4}$	1 V / 1 kHz
Equivalent serie resistance	ESR		$\leq 1.5$	m $\Omega$	10 kHz
Stray inductance	ESL		$\leq 200$	nH	
Insulation resistance	Ri x C		$> 20'000$	s	500 VDC - 1 min
Test voltage between terminals	U T1		3'000	VDC	10 s
Test voltage between terminals to case	U T2		3'000	VAC	10 s
Operating temp.			- 25 / + 70 °C		
Estimated operational life (-3%)			$100 \times 10^6$	Pulses	2000 V / 10'000 A
Dimension	Symbol			Unit	Condition
Width	B		150	mm	
Length	L		250	mm	
Height	H		370	mm	
Thread			M8 x 8	mm	
Thread spacing			70	mm	
	M1				
	M0				
	Modification	Date	Visa émetteur		

Condensateurs CH 1401 Yverdon-les-Bains  
 Kondensatoren Tel.: ++41 24 445 66 88  
 Capacitors Fax: ++41 24 445 66 89

**Le lanché**  
**Capacitors**  
A FROEYER & TALECHÉ COMPANY

HJJ

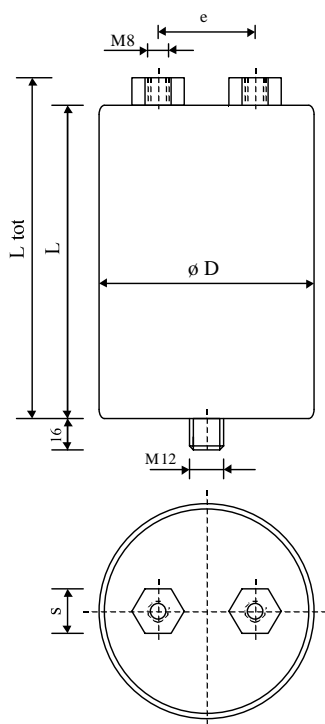
07.11.2005

faisab5528.XLS

# 3331

Metallized Polypropylene Capacitor

PPMF 230-92.0 cv6



Type PPMF 230-92.0 cv6 G

Metallized Polypropylene dielectric

Aluminium casing  $\phi 85 \times 230$  mm, rounded edge

Bottom Screw M12 x 16 mm

Connections: 2 inserts M8 x 10 mm

Parameters	Symbol	Values	Unit	Condition
Capacitance	C	92	$\mu\text{F}$	
Tolerance		2	%	
Operational Voltage	Uop DC	2200	VDC	
Rated Voltage	Un DC	2300	VDC	
Surge current	I	120	A	
	I fault	350	A	
Resulting	I rms	5	A	
Charge time	t charge	200	ms	
Maintenance	t hold	50	ms at Uop	
Discharge time	t disch.	3	ms	
Frequency Cycle	PRF	4	Hz	
Operating		50	$^{\circ}\text{C}$	
Lifecycle		$> 100 \times 10^6$	Discharges at 90% survival	
Serial resistance	ESR	$< 7.5$	$\text{m}\Omega$	10 kHz
Equivalent serial	ESL	$< 500$	nH	
Capacitance Test	Ut1	2600	VDC	10 s
Test Voltage against casing		2500	VAC	10 s

Dimension	Symbol	Values	Unit	Condition
Diameter	$\phi D$	85	mm	
Fastening stud	$\phi ds \times Ls$	M12 x 16	mm	
Height	L	232	mm	$\pm 2$ mm
	L tot	239	mm	+ 2 ... - 4 mm
Contact		M8 x 10	mm	
Pitch	e	32	mm	
Overhang		7	mm	0 ... - 2 mm
	s	19	mm	

	M1			
	M0	21.06.02	HJJ	
	Modification	Date	Author	

Condensateurs CH 1401 Yverdon-les-Bains

Kondensatoren Tel.: +41 24 445 66 88

Capacitors Fax: +41 24 445 66 89

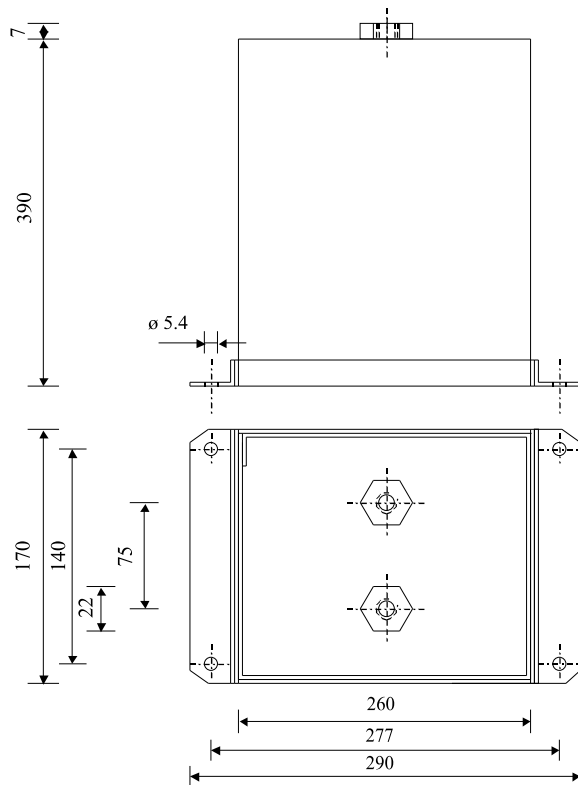
19.01.00

PPMF3331.XLS

#5529

## Discharge Capacitors

PPMF 230-700.0 r K



Dielectric of metallized polypropylene

Threaded outputs

Resin end sealing

Aluminium case  
thick 1.2 mm

Parameter	Symbol	Value	Unit	Condition
Capacitance	C	700	$\mu\text{F}$	1 V / 1 kHz
Tolerance		$\pm 10$	%	
Rated voltage	Un DC	2'300	VDC	
Maximum voltage	Us max.	2'875	V	non. rep.
Rated voltage	Un AC	500	Veff	50 Hz
RMS Current	Ieff max	100	Aeff	
Repetitive surge current	I cr. max	10'000	A	
Non repetitive surge current	I s	40'000	A	
Tangent delta	tg $\delta$	65	$10^{-4}$	1 V / 1 kHz
Equivalent serie resistance	ESR	$\leq 1.5$	m $\Omega$	10 kHz
Stray inductance	ESL	$\leq 200$	nH	
Insulation resistance	Ri x C	$> 20'000$	s	500 VDC - 1 min
Test voltage between terminals	U T1	3'450	VDC	10 s
Test voltage between terminals to case	U T2	3'500	VAC	10 s
Operating temp.		- 25 / + 70 °C		
Estimated operational life (-3%)		$100 \times 10^6$	Pulses	2300 V / 10'000 A
Dimension	Symbol	Value	Unit	Condition
Width	B	170	mm	
Length	L	260	mm	
Height	H	390	mm	
Thread		M8 x 8	mm	
Thread spacing		75	mm	
	M1			
	M0			
	Modification	Date	Visa émetteur	

Condensateurs CH 1401 Yverdon-les-Bains  
 Kondensatoren Tel.: ++41 24 445 66 88  
 Capacitors Fax: ++41 24 445 66 89

**Le lanché**  
**Capacitors**  
A POSCHER & TAUDELING COMPANY

HJJ

09.11.2005

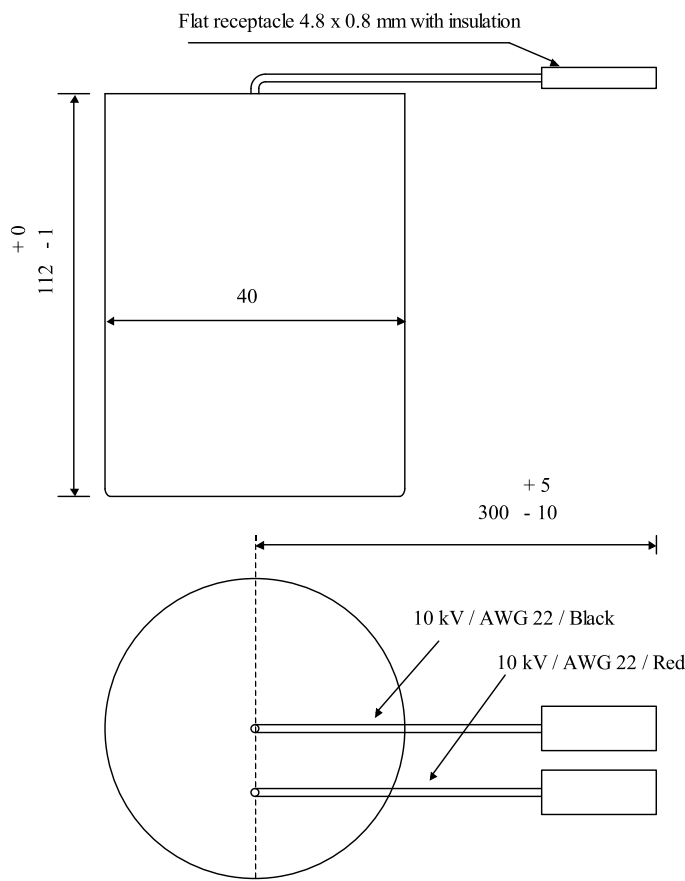
faisab5529.XLS



#5749

## Defibrillator Capacitor

PPMF 280-60.0 cv3a J



Preliminary  
Data Sheet  
Must be tested

diélectrique of metallized  
polypropylene

polyurethane resin end  
sealing

Aluminium case

Capacitors with short-  
circuit between the  
FASTON terminals

Parameter	Symbol		Value	Unit	Condition
Capacitance	C		60	$\mu\text{F}$	1 V / 100 Hz
Tolerance			$\pm 5$	%	
Rated voltage	Un DC		2800	VDC	
Max peak current	I cr. max		140	A	
Tangente delta	tg $\delta$		100	$10^{-4}$	1 V / 100 Hz
Insulation resistance between terminals	Ri		> 20	M $\Omega$	2800 VDC - 30 sec.
Test voltage between terminals	U T1		2900	VDC	2 s.
Test voltage terminals to case	U T2		4200	VDC	1 min / $I \leq 2 \mu\text{A}$
Operating temp.			- 0 / + 60 °C		
Estimated operational life(- 7.5 %)			2500 + 500	shocks schocs	2800 V / 50 $\Omega$ 2800 V / 27 k $\Omega$
Dimension	Symbol			Unit	Conditions
Diameter	D		40	mm	
Height	H		112		
Terminals					
silicone cable	l		300	mm	
section	s		0.34	mm <sup>2</sup>	
Flat receptacle with insulation			4.8 x 0.8	mm	
	M1				
	M0	22.01.2009	HJJ		
	Modification	Date	Visa émetteur		

Condensateurs CH 1401 Yverdon-les-Bains  
Kondensatoren Tel.: ++41 24 445 66 88  
Capacitors Fax: ++41 24 445 66 89

**Le lanché**  
**Capacitors**  
A FISCHER & TAUSSCH COMPANY

HJJ

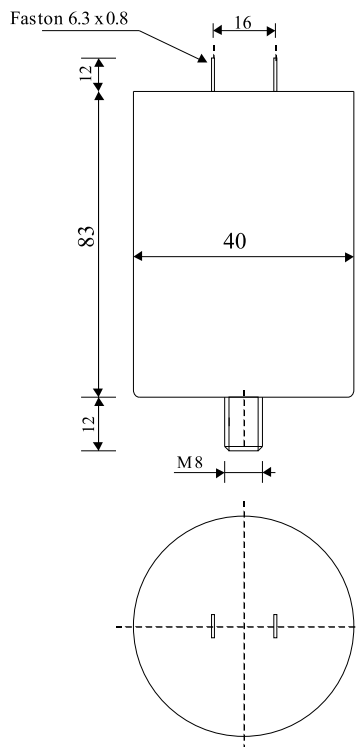
18.12.2008

faisab5749.XLS

#5374

Metallized polypropylene capacitors

PPMF 300-1 cv2 K



Dielectric of metallized polypropylene

FAST-ON 6.3 x 0.8 mm

Epoxy resin end sealing

Aluminium case

Parameter	Symbol	Value	Unit	Condition
Capacitance	C	1	$\mu\text{F}$	1 V / 1 kHz
Tolerance		$\pm 10$	%	
Rated voltage	Un DC	3000	VDC	
Rated voltage	Un AC	1200	Veff	
RMS Current	Ieff	15	Aeff	$f \geq 2000$ Hz
slope of voltage variation	du/dt max.	400	V/ $\mu\text{sec}$	max. repetitive
Repetitive surge current	I cr. max	400	A	
Power loss factor	tg $\delta$	3	$10^{-4}$	1 V / 1 kHz
Equivalent serie resistance	ESR	$\leq 9$	m $\Omega$	10 kHz
Stray inductance	ESL	$\leq 150$	nH	
Insulation resistance between terminals	Ri	$> 10000$	M $\Omega$	500 VDC - 1 min
Insulation resistance between terminals to case	Ri case	$> 2'000$	M $\Omega$	500 VDC - 1 min
Test voltage between terminals	U T1	4500	VDC	10 s
Test voltage terminals to case	U T2	3000	VAC	50 Hz / 1 min
Operating temp.		- 25 / + 70 °C		
Estimated operational life (-3%)		100'000	h	Un DC - 70°C
Dimension	Symbol	Value	Unit	Conditions
Diameter	$\varnothing D$	40	mm	
Height	H	83	mm	
Terminals				
fast-on		6.3 x 0.8	mm	
fixing stud		M8 x 12	mm	
	M1			
	M0			
	Modification	Date	Visa émetteur	

Condensateurs CH 1401 Yverdon-les-Bains  
 Kondensatoren Tel.: ++41 24 447 22 82  
 Capacitors Fax: ++41 24 447 22 85

289

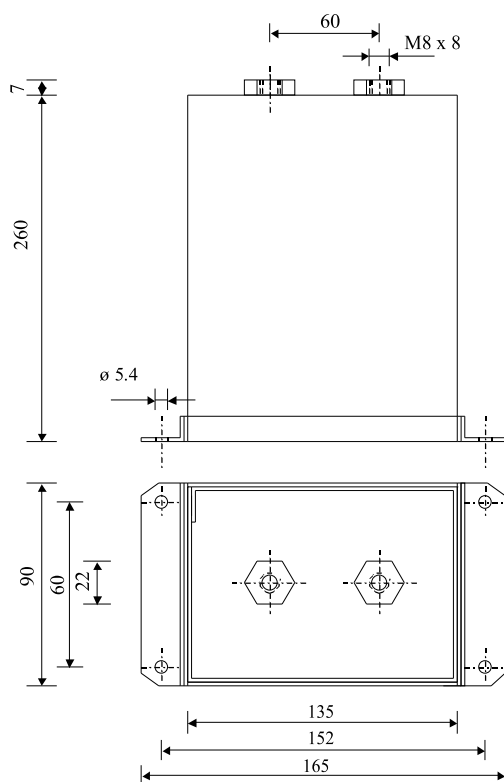
12.06.03

faisab5374.XLS

#5589

## Discharge Capacitors

PPMF 300-66.0 r K



Dielectric of metallized polypropylene

Threaded outputs

Resin end sealing

Aluminium case  
thick 1.2 mm

Parameter	Symbol	Value	Unit	Condition
Capacitance	C	66	$\mu\text{F}$	1 V / 1 kHz
Tolerance		$\pm 10$	%	
Rated voltage	Un DC	3'000	VDC	
Maximum voltage	Us max.	4'000	V	non. rep.
Rated voltage	Un AC	630	Veff	50 Hz
RMS Current	Ieff max	80	Aeff	1 kHz ... 100 kHz
slope of voltage variation	du/dt max.	37.9	V/ $\mu\text{sec}$	max. repetitive
Repetitive surge current	I cr. max	2500	A	
Tangente delta	tg $\delta$	9	$10^{-4}$	1 V / 1 kHz
Equivalent serie resistance	ESR	$\leq 2$	m $\Omega$	10 kHz
Stray inductance	ESL	$\leq 200$	nH	
Insulation resistance	Ri x C	$> 20'000$	s	500 VDC - 1 min
Test voltage between terminals	U T1	4'500	VDC	10 s
Test voltage between terminals to case	U T2	3'500	VAC	50 Hz - 1 min
Operating temp.		- 25 / + 70 °C		
Estimated operational life (-3%)		$> 5 \times 10^6$	Pulses	3000 V / 2500 A max 10 Hz
Dimension	Symbol		Unit	Conditions
Width	B	90	mm	
Length	L	260	mm	
Height	H	135	mm	
Thread		M8 x 8	mm	
Thread spacing		60	mm	
	M1			
	M0			
	Modification	Date	Visa émetteur	

Condensateurs CH 1401 Yverdon-les-Bains  
 Kondensatoren Tel.: ++41 24 445 66 88  
 Capacitors Fax: ++41 24 445 66 89

**Le lanché**  
**Capacitors**  
A FISCHER & TANGHE COMPANY

HJJ

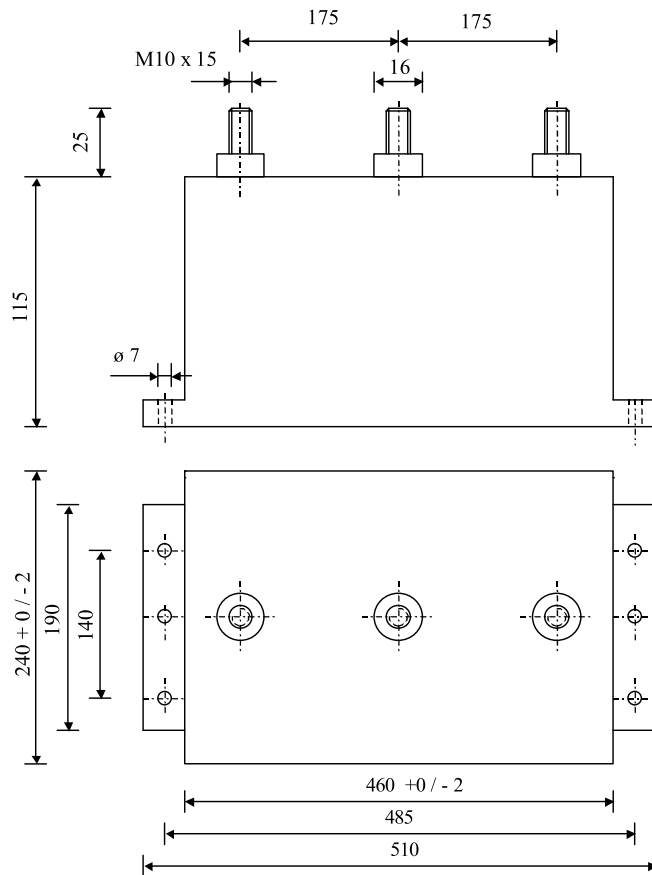
09.08.2006

faisab5589.XLS

#5734

## DISCHARGE CAPACITORS

PPMF 300-2x120.0 ru K

Preliminary  
Data Sheet

Estimated operational life 3 kV		
Inverse voltage	Current	Pulses
95 %	16 kA	> 30'000
80 %	10 kA	> 500'000

Dielectric  
metallized polypropylenePlastic case  
Resin filled

Parameter	Symbol	Value	Unit	Condition
Capacitance	C	2 x 120	μF	1 V / 1 kHz
Tolerance		± 10	%	
Rated voltage	Un DC	3'000	VDC	
Repetitive surge current	I cr. max	16	kA	
Tangente delta	tgδ	106	10 <sup>-4</sup>	1 V / 1 kHz
Equivalent serie resistance	ESR	< 14	mΩ	10 kHz
Stray inductance	ESL	≤ 150	nH	
Insulation resistance	Ri x C	> 20'000	s	500 VDC - 1 min
Test voltage between terminals	U T1	6'000	VDC	1 min
Test voltage between terminals to case	U T2	9'000	VDC	1 min
Operating temp.		- 15 / + 60 °C		
Dimension	Symbol	Value	Unit	Conditions
Width	B	240	mm	
Height	H	115	mm	
Length	L	460	mm	
Terminals				
Thread	3 x	M10 x 15	mm	
	M1			
	M0	27.06.2008	HJJ	
	Modification	Date	Visa émetteur	

Condensateurs CH 1400 Yverdon-les-Bains  
 Kondensatoren Tel.: ++41 24 445 66 88  
 Capacitors Fax: ++41 24 445 66 89

**Le lanché**  
**Capacitors**  
A FITZNER & TALSCHER COMPANY

HJJ

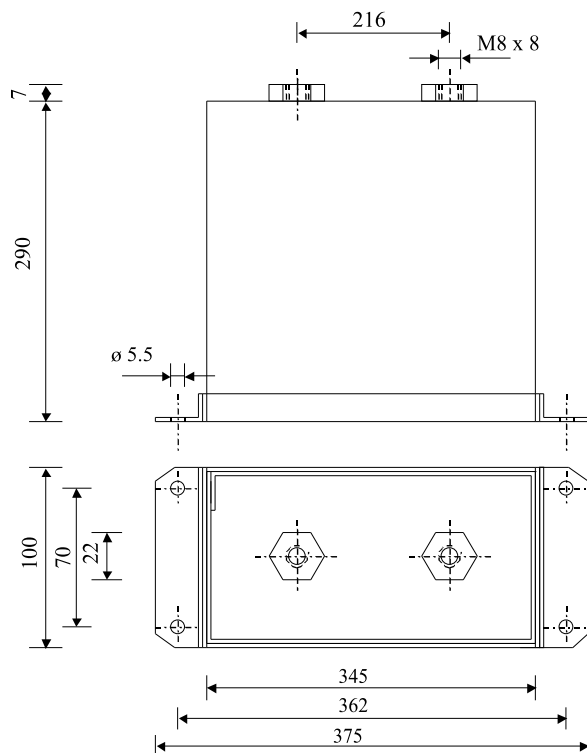
24.06.2008

faisab5734.XLS

#5465

Metallized polypropylene capacitors

PPMF 300-225.0 r K



Dielectric of metallized polypropylene

Threaded outputs

Resin end sealing

Aluminium case thick 1.2 mm

Parameter	Symbol	Value	Unit	Condition
Capacitance	C	225	$\mu\text{F}$	1 V / 1 kHz
Tolerance		$\pm 10$	%	
Rated voltage	Un DC	3000	VDC	
Rated voltage	Un AC	800	Veff	50 Hz
RMS Current	Ieff max	60	Aeff	
slope of voltage variation	du/dt max.	11.1	V/ $\mu\text{sec}$	max. repetitive
Repetitive surge current	I cr. max	2500	A	
Tangente delta	tg $\delta$	8	$10^{-4}$	1 V / 1 kHz
Equivalent serie resistance	ESR	$\leq 3.3$	m $\Omega$	10 kHz
Stray inductance	ESL	$\leq 150$	nH	
Insulation resistance	Ri x C	$> 20'000$	s	500 VDC - 1 min
Test voltage between terminals	U T1	4800	VAC	10 s
Operating temp.		- 25 / + 70 °C		
Estimated operational life (-3%)		$10^6$	Pulses	2.5 kA / 3 kV reversal 30 %
Dimension	Symbol	Value	Unit	Conditions
Width	B	100	mm	
Length	L	345	mm	
Height	H	290	mm	
Thread		M8 x 8	mm	
Thread spacing		216	mm	
	M1			
	M0			
	Modification	Date	Visa émetteur	

Condensateurs CH 1401 Yverdon-les-Bains  
 Kondensatoren Tel.: ++41 24 447 22 82  
 Capacitors Fax: ++41 24 447 22 85

**Le lanché**  
**Capacitors**  
A FISCHER & TAUERNE COMPANY

289

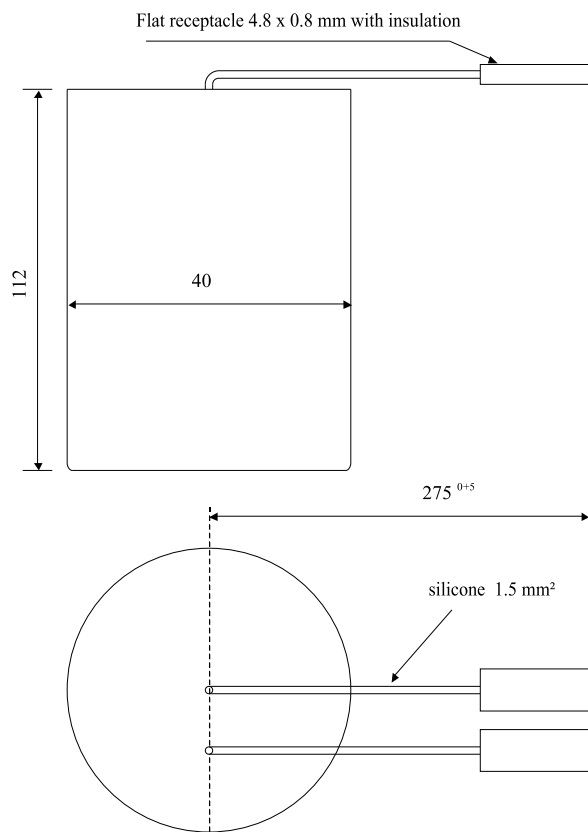
07.01.2005

faisab5465.XLS

#5545

## Defibrillator Capacitor

PPMF 310-40.0 c3



Dielectric of metallized polypropylene

polyurethane resin end sealing

Aluminium case

Parameter	Symbol	Value	Unit	Condition
Capacitance	C	40	μF	1 V / 100 Hz
Tolerance		- 2 + 8 %	%	
Rated voltage	Un DC	3100	VDC	
Max peak current	I cr. max	150	A	
Tangente delta	tgδ	90	10 <sup>-4</sup>	1 V / 100 Hz
Insulation resistance between terminals	Ri	> 300	MΩ	100 VDC - 1 min
Test voltage between terminals	U T1	3410	VDC	2 s.
Test voltage terminals to case	U T2	5000	VDC	1 min
Operating temp.		- 0 / + 40 °C		
Estimated operational life (-5%)		> 3000	shocks	3100 V / 150 A
Dimension	Symbol	Value	Unit	Conditions
Diameter	D	40	mm	
Height	H	112	mm	
Terminals				
silicone cable	l	275	mm	
section	s	1.5	mm <sup>2</sup>	
Flat receptable with insulation		4.8 x 0.8	mm	
	M1			
	M0			
	Modification	Date	Visa émetteur	

Condensateurs  
Kondensatoren  
Capacitors

CH 1401 Yverdon-les-Bains  
Tel.: ++41 24 445 66 88  
Fax: ++41 24 445 66 89

**Le Janché**  
Capacitors  
A FISCHER & TAUSSIG COMPANY

HJJ

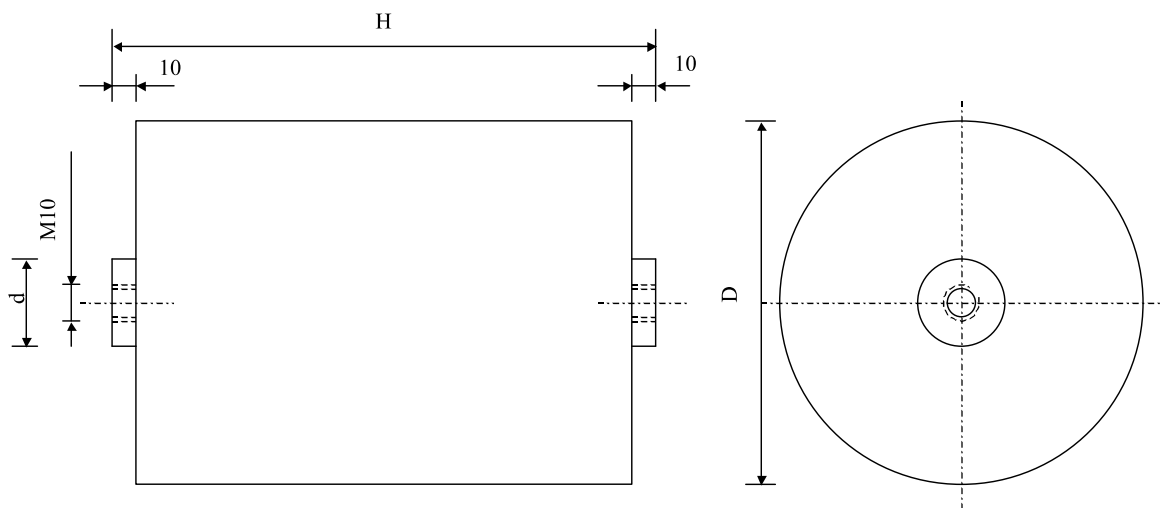
22.03.2006

faisab5545.XLS

#5722

Discharge capacitors

PPMF 430-125.0 uv K



Dielectric of metallized polypropylene - Plastic tube

Polyurethane resin end sealing - Threaded outputs

Parameter	Symbol		Value	Unit	Condition
Capacitance	C		125	$\mu\text{F}$	1 V / 1 kHz
Tolerance			$\pm 10$	%	
Rated voltage	Un DC		4300	VDC	+ / -
Repetitive surge current	I cr. max		7500	A	
Tangente delta dielectric	tg $\delta_o$		2	$10^{-4}$	
Serie resistance	RS		$\leq 32$	m $\Omega$	
Stray inductance	ESL		$\leq 65$	nH	
Insulation resistance	Ri x C		> 30'000	s	500 VDC - 1 min
Test voltage between terminals	U T1		8000	VDC	60 s
Climatic category (IEC68)			25/70/56		
Dimension	Symbol			Unit	Conditions
Diameter	$\varnothing D$		200	mm	
Heigth	H		410	mm	
Terminals					
Thread			M10 x 10	mm	
	$\varnothing d$		30		
	M1				
	M0	15.05.2008	HJJ		
	Modification	Date	Visa émetteur		

Condensateurs CH 1401 Yverdon-les-Bains  
 Kondensatoren Tel.: ++41 24 445 66 88  
 Capacitors Fax: ++41 24 445 66 89

**Le Janché**  
**Capacitors**  
A FROBEN & FAUSCHÉ COMPANY

HJJ

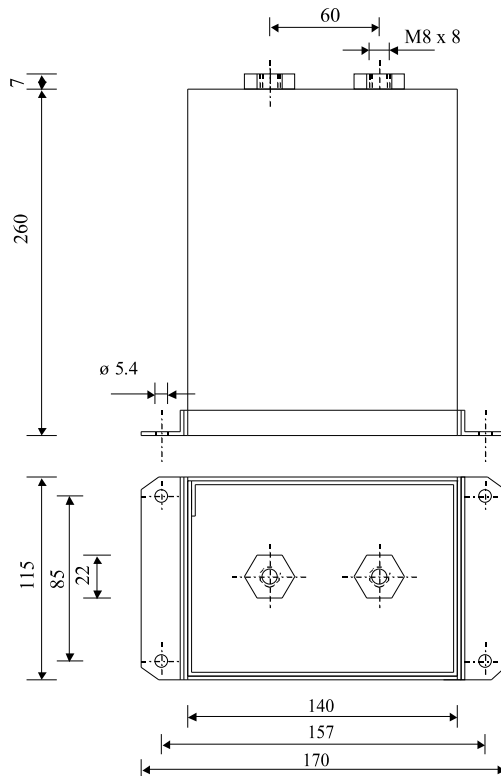
30.04.2008

faisab5722.XLS

#5493

## Discharge Capacitors

PPMF 440-40.0 r J



Dielectric of metallized polypropylene

Threaded outputs

Resin end sealing

Aluminium case thick 1.2 mm

Parameter	Symbol	Value	Unit	Condition
Capacitance	C	40	$\mu\text{F}$	1 V / 1 kHz
Tolerance		$\pm 5$	%	
Rated voltage	Un DC	4'400	VDC	
Maximum voltage	Us max.	4'800	V	non. rep.
Rated voltage	Un AC	960	Veff	50 Hz
RMS Current	Ieff max	81	Aeff	2 kHz ... 100 kHz
slope of voltage variation	du/dt max.	26.3	V/ $\mu\text{sec}$	max. repetitive
Repetitive surge current	I cr. max	1050	A	
Tangente delta	tg $\delta$	13	$10^{-4}$	1 V / 1 kHz
Equivalent serie resistance	ESR	$\leq 4.3$	m $\Omega$	10 kHz
Stray inductance	ESL	$\leq 250$	nH	
Insulation resistance	Ri x C	$> 20'000$	s	500 VDC - 1 min
Test voltage between terminals	U T1	7'040	VDC	10 s
Test voltage between terminals to case	U T2	7'040	VDC	10 s
Operating temp.		- 25 / + 70 °C		
Estimated operational life (-3%)		45'000	h	4400 V / 1050 A 45 Hz max / Amb. Temp 55 °C max
Dimension	Symbol	Value	Unit	Conditions
Width	B	115	mm	
Length	L	140	mm	
Height	H	260	mm	
Thread		M8 x 8	mm	
Thread spacing		60	mm	
	M1			
	M0			
	Modification	Date	Visa émetteur	

Condensateurs CH 1401 Yverdon-les-Bains  
 Kondensatoren Tel.: ++41 24 445 66 88  
 Capacitors Fax: ++41 24 445 66 89

**Le lanché**  
**Capacitors**  
A FISCHER & TAUERCHER COMPANY

HJJ

31.05.2005

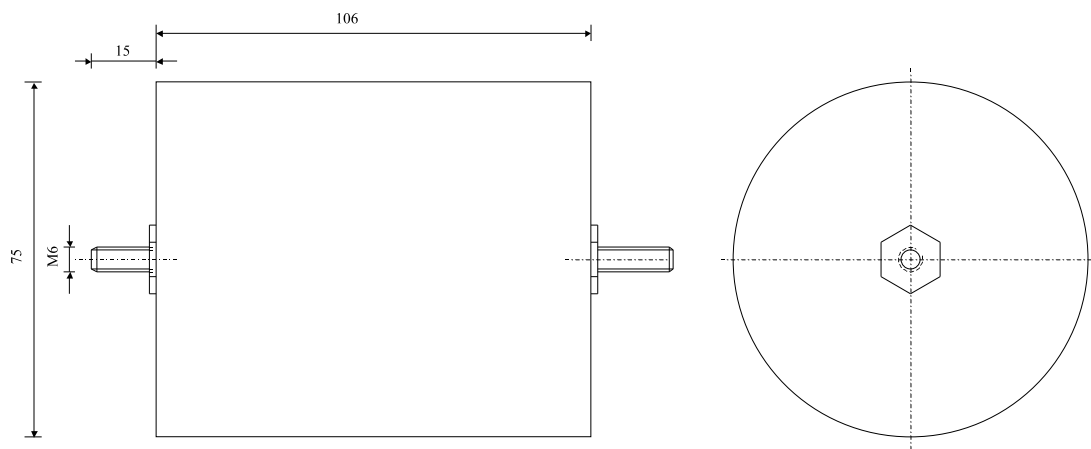
faisab5493.XLS



#5536

Discharge capacitors

PPMF 700-020 uv K



Dielectric of metallized polypropylene - Plastic tube

Polyurethane resin end sealing - Threaded outputs

Parameter	Symbol		Value	Unit	Condition
Capacitance	C		0.2	$\mu\text{F}$	1 V / 1 kHz
Tolerance			$\pm 10$	%	
Rated voltage	Un DC		7'000	VDC	
Reversal Voltage	U inv.		80	%	max.
RMS Current max	I <sub>eff</sub>		13	A	30 to 500 kHz
Repetitive surge current	I cr. max		4000	A	
Tangente delta dielectric	tg $\delta_o$		2	$10^{-4}$	
Serie resistance	RS		$\leq 22$	m $\Omega$	
Stray inductance	ESL		$\leq 80$	nH	
Insulation resistance	Ri x C		> 30'000	s	500 VDC - 1 min
Test voltage between terminals	U T1		13'000	VDC	60 s
Climatic category (IEC68)			25/70/56		
Estimated operational life (-10%)			$6 \times 10^6$	Discharges	4000 A / 7 kV 8 Hz
Dimension	Symbol			Unit	Conditions
Diameter	$\varnothing D$		75	mm	
Heigth	H		106	mm	
Terminals					
Thread			M6 x 15	mm	
	M1				
	M0				
	Modification	Date	Visa émetteur		

Condensateurs CH 1401 Yverdon-les-Bains  
 Kondensatoren Tel.: ++41 24 445 66 88  
 Capacitors Fax: ++41 24 445 66 89

**Le Janché**  
**Capacitors**  
A FÜRCHER & FALSCHER COMPANY

HJJ

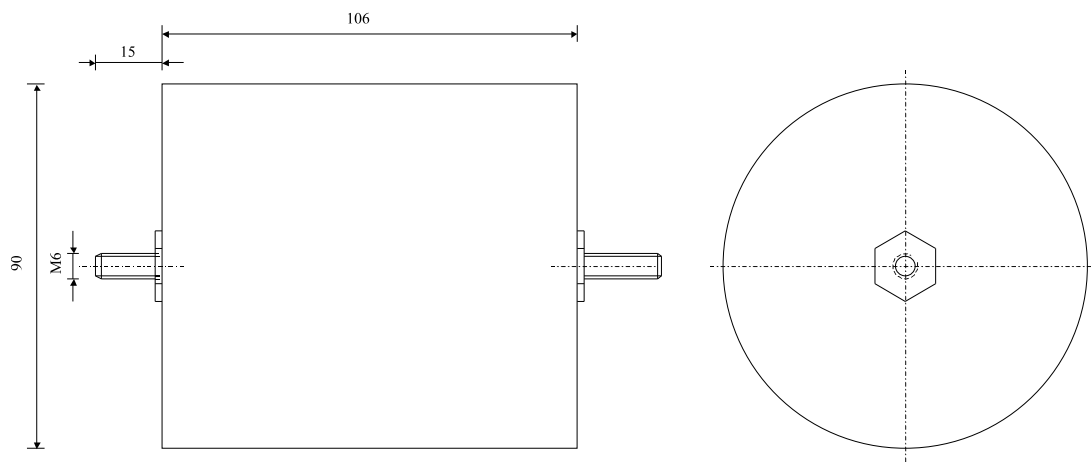
26.01.2006

faisab5536.XLS

#5537

Discharge capacitors

PPMF 700-030 uv K



Dielectric of metallized polypropylene - Plastic tube

Polyurethane resin end sealing - Threaded outputs

Parameter	Symbol		Value	Unit	Condition
Capacitance	C		0.3	$\mu\text{F}$	1 V / 1 kHz
Tolerance			$\pm 10$	%	
Rated voltage	Un DC		7'000	VDC	
Reversal Voltage	U inv.		60	%	max.
RMS Current max	I <sub>eff</sub>		17	A	30 to 500 kHz
Repetitive surge current	I cr. max		5000	A	
Tangente delta dielectric	tg $\delta_o$		2	$10^{-4}$	
Serie resistance	RS		$\leq 15$	m $\Omega$	
Stray inductance	ESL		$\leq 80$	nH	
Insulation resistance	Ri x C		> 30'000	s	500 VDC - 1 min
Test voltage between terminals	U T1		13'000	VDC	60 s
Climatic category (IEC68)			25/70/56		
Estimated operational life (-10%)			$6 \times 10^6$	Discharges	5000 A / 7 kV 8 Hz
Dimension	Symbol			Unit	Conditions
Diameter	$\varnothing D$		90	mm	
Heigth	H		106	mm	
Terminals					
Thread			M6 x 15	mm	
	M1				
	M0				
	Modification	Date	Visa émetteur		

Condensateurs CH 1401 Yverdon-les-Bains  
 Kondensatoren Tel.: ++41 24 445 66 88  
 Capacitors Fax: ++41 24 445 66 89

**Le Janché**  
**Capacitors**  
A FÜRCHER & FALSCHER COMPANY

HJJ

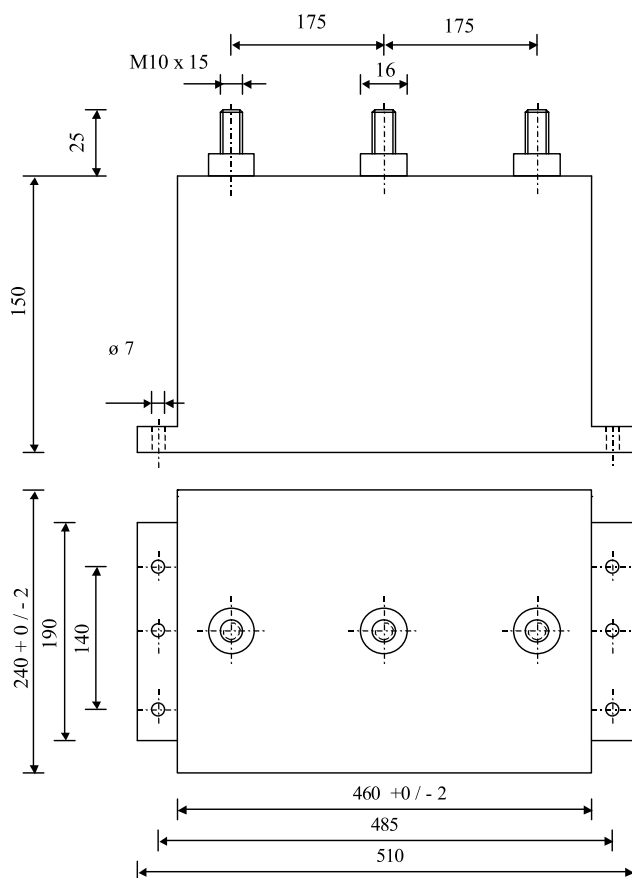
26.01.2006

faisab5537.XLS

#5735

## DISCHARGE CAPACITORS

PPMF 1600-2x4.0 ru K

Preliminary  
Data Sheet

Estimated operational life 16 kV		
Inverse voltage	Current	Pulses
95 %	16 kA	> 10'000
80 %	10 kA	> 500'000

Dielectric  
metallized polypropylenePlastic case  
Resin filled

Parameter	Symbol	Value	Unit	Condition
Capacitance	C	2 x 4	μF	1 V / 1 kHz
Tolerance		± 10	%	
Rated voltage	Un DC	16'000	VDC	
Repetitive surge current	I cr. max	16	kA	
Tangente delta	tgδ	18	10 <sup>-4</sup>	1 V / 1 kHz
Equivalent serie resistance	ESR	< 63	mΩ	10 kHz
Stray inductance	ESL	≤ 150	nH	
Insulation resistance	Ri x C	> 20'000	s	500 VDC - 1 min
Test voltage between terminals	U T1	32'000	VDC	1 min
Test voltage between terminals to case	U T2	16'000	VDC	1 min
Operating temp.		- 15 / + 60 °C		
Dimension	Symbol	Value	Unit	Conditions
Width	B	240	mm	
Height	H	150	mm	
Length	L	460	mm	
Terminals				
Thread	3 x	M10 x 15	mm	
	M1			
	M0	27.06.2008	HJJ	
	Modification	Date	Visa émetteur	

Condensateurs  
Kondensatoren  
CapacitorsCH 1400 Yverdon-les-Bains  
Tel.: ++41 24 445 66 88  
Fax: ++41 24 445 66 89

**Le lanché**  
Capacitors  
A FISCHER & TAUSSIG COMPANY

HJJ

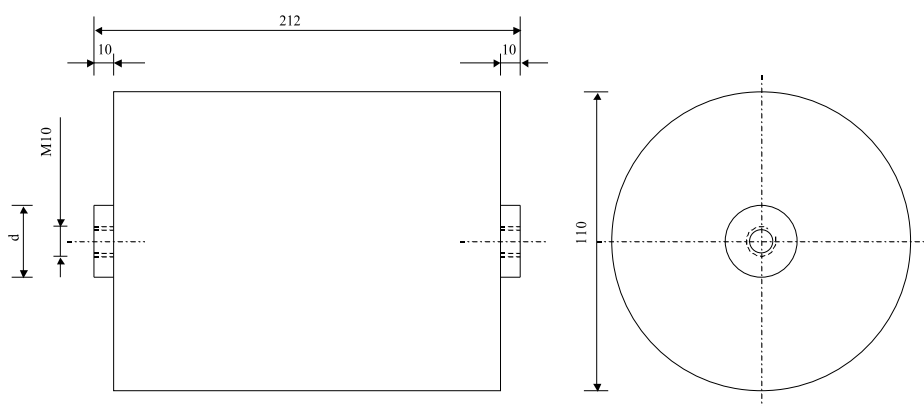
24.06.2008

faisab5735.XLS

#5517

Discharge capacitors

PPMF 1700-010 uv K



Dielectric of metallized polypropylene - Plastic tube

Polyurethane resin end sealing - Threaded outputs

Parameter	Symbol	Value	Unit	Condition
Capacitance	C	0.1	$\mu\text{F}$	1 V / 1 kHz
Tolerance		$\pm 10$	%	
Rated voltage	Un DC	17'000	VDC	
Reversal Voltage	U inv.	90	%	max.
Rated voltage	Un RMS	7400	Veff	50 to 1000 Hz
RMS Current max	I <sub>eff</sub>	18	A	10 kHz to 300 kHz
Repetitive surge current	I cr. max	1000	A	
Tangentdelta dielectric	tg $\delta_o$	2	$10^{-4}$	1 to 300 kHz
Series resistance	RS	$\leq 9$	m $\Omega$	
Stray inductance	ESL	$\leq 220$	nH	
Insulation resistance	Ri x C	$> 30'000$	s	500 VDC - 1 min
Test voltage between terminals	U T1	35'000	VDC	60 s
Climatic category (IEC68)		25/70/56		
Estimated operational life (-10%)		$10 \times 10^6$	Discharges	1000 A / 17 kV 10 Hz
Dimension	Symbol	Value	Unit	Conditions
Diameter	$\varnothing D$	110	mm	
Height	H	212 $\pm 0.5$	mm	
Terminals				
Thread		M10 x 10	mm	
	$\varnothing d$	30		
	M1			
	M0			
	Modification	Date	Visa émetteur	

Condensateurs CH 1401 Yverdon-les-Bains  
 Kondensatoren Tel.: ++41 24 445 66 88  
 Capacitors Fax: ++41 24 445 66 89

**Le Janché**  
**Capacitors**  
A FISCHER & TAUSSCHER COMPANY

HJJ

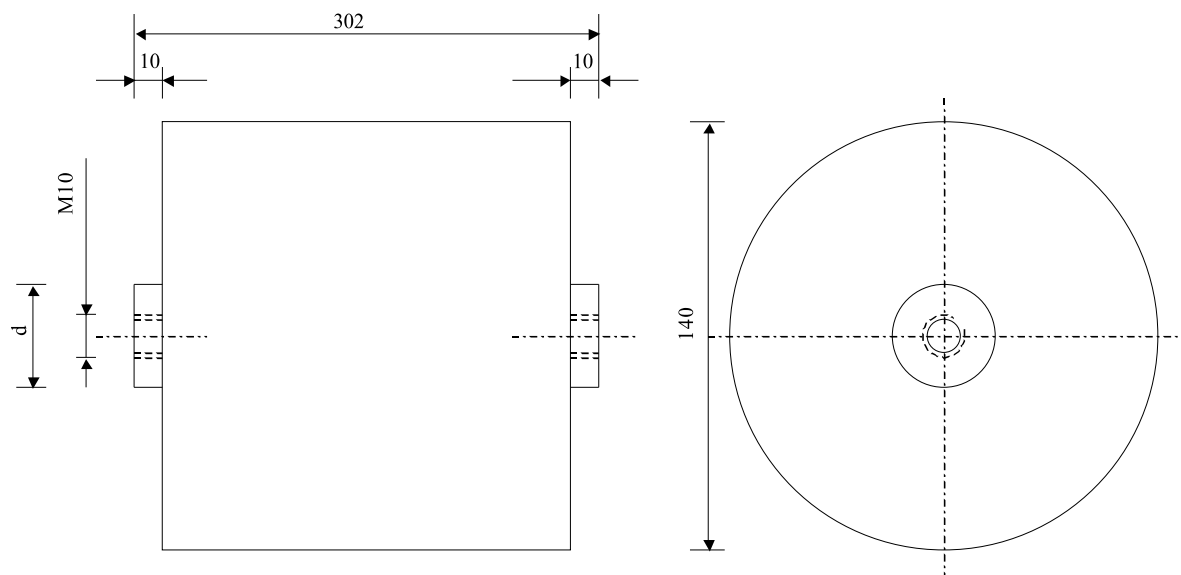
26.09.2005

faisab5517.XLS

#5510

Discharge capacitors

PPMF 3000-011 uv K



Dielectric of metallized polypropylene - Plastic tube

Polyurethane resin end sealing - Threaded outputs

Parameter	Symbol	Value	Unit	Condition
Capacitance	C	0.11	$\mu\text{F}$	1 V / 1 kHz
Tolerance		$\pm 10$	%	
Rated voltage	Un DC	30'000	VDC	
Reversal Voltage	U inv.	90	%	max.
Rated voltage	Un RMS	12500	Veff	50 to 1000 Hz
RMS Current max	I <sub>eff</sub>	25	A	10 to 300 kHz
Repetitive surge current	I cr. max	4200	A	
Tangente delta dielectric	tg $\delta_o$	2	$10^{-4}$	1 to 300 kHz
Serie resistance	RS	$\leq 9$	m $\Omega$	
Stray inductance	ESL	$\leq 300$	nH	
Insulation resistance	Ri x C	$> 30'000$	s	500 VDC - 1 min
Test voltage between terminals	U T1	60000	VDC	60 s
Climatic category (IEC68)		25/70/56		
Estimated operational life (-10%)		$35 \times 10^6$	Discharges	4200 A / 30 kV 3 Hz
Dimension	Symbol	Value	Unit	Conditions
Diameter	$\varnothing D$	140	mm	
Heigth	H	302 <sub>+0.5</sub>	mm	
Terminals				
Thread		M10 x 10	mm	
	$\varnothing d$	30		
	M1			
	M0			
	Modification	Date	Visa émetteur	

Condensateurs CH 1401 Yverdon-les-Bains  
 Kondensatoren Tel.: ++41 24 445 66 88  
 Capacitors Fax: ++41 24 445 66 89

**Le Janché**  
**Capacitors**  
A FISCHER & TAUSSIG COMPANY

HJJ

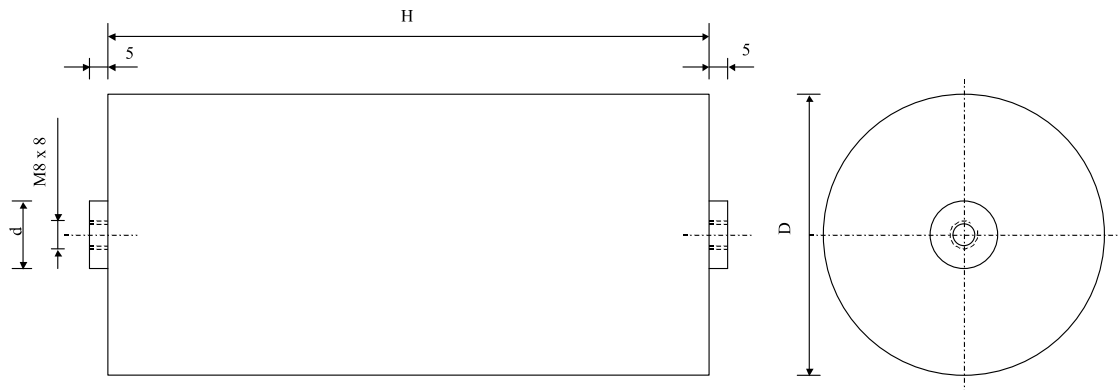
13.09.2005

faisab5510.XLS

#5736

Discharge capacitors

PPMF 4000-2.5 uv K

Preliminary  
Data Sheet

Dielectric of metallized polypropylene - Plastic tube

Polyurethane resin end sealing - Threaded outputs

Parameter	Symbol		Value	Unit	Condition
Capacitance	C		2.5	$\mu\text{F}$	1 V / 1 kHz
Tolerance			$\pm 10$	%	
Rated voltage	Un DC		40'000	VDC	
Repetitive surge current	I cr. max		10'000	A	
Tangent delta	tg $\delta$		34	10-4	1 V / 1 kHz
Equivalent serie resistance	ESR		$\leq 200$	m $\Omega$	10 kHz
Stray inductance	ESL		$\leq 900$	nH	
Insulation resistance	Ri x C		> 30'000	s	500 VDC - 1 min
Test voltage between terminals	U T1		80'000	VDC	60 s
Estimated operational life with inverse voltage max. 90 %			> 100'000	Pulses	40 kV / 10 kA
Dimension	Symbol			Unit	Conditions
Diameter	$\varnothing D$		110	mm	
Height	H		1200	mm	
Terminals					
Thread			M8 x 8	mm	
	$\varnothing d$		22		
	M1				
	M0				
	Modification	Date	Visa émetteur		

Condensateurs

CH 1400 Yverdon-les-Bains

Kondensatoren

Tel.: ++41 24 445 66 88

Capacitors

Fax: ++41 24 445 66 89

**Le Janché**  
**Capacitors**  
A FROBNER & FAISCHER COMPANY

HJJ

25.06.2008

faisab5736.XLS