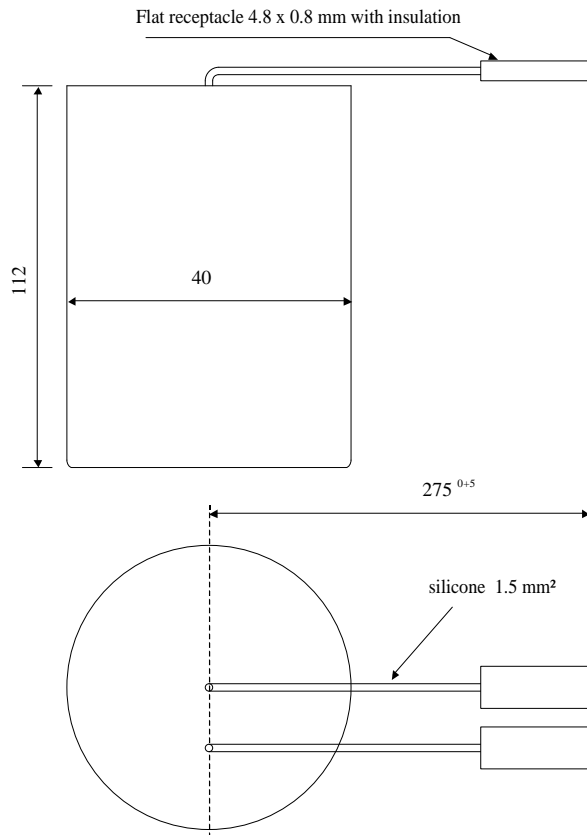


#5545

Defibrillator Capacitor

PPMF 310-40.0 c3



Dielectric of metallized polypropylene

polyurethane resin end sealing

Aluminium case

Parameter	Symbol	Value	Unit	Condition
Capacitance	C	40	μF	1 V / 100 Hz
Tolerance		- 2 + 8 %	%	
Rated voltage	Un DC	3100	VDC	
Max peak current	I cr. max	150	A	
Tangente delta	tgδ	90	10 ⁻⁴	1 V / 100 Hz
Insulation resistance between terminals	Ri	> 300	MΩ	100 VDC - 1 min
Test voltage between terminals	U T1	3410	VDC	2 s.
Test voltage terminals to case	U T2	5000	VDC	1 min
Operating temp.		- 0 / + 40 °C		
Estimated operational life (-5%)		> 3000	shocks	3100 V / 150 A
Dimension	Symbol	Value	Unit	Conditions
Diameter	D	40	mm	
Height	H	112		
Terminals				
silicone cable	l	275	mm	
section	s	1.5	mm ²	
Flat receptable with insulation		4.8 x 0.8	mm	
	M1			
	M0			
	Modification	Date	Visa émetteur	

Condensateurs
Kondensatoren
Capacitors

CH 1401 Yverdon-les-Bains
Tel.: ++41 24 445 66 88
Fax: ++41 24 445 66 89

Le Janché
Capacitors
A FROEMER & FAUSCHÉ COMPANY

HJJ

22.03.2006

faisab5545.XLS