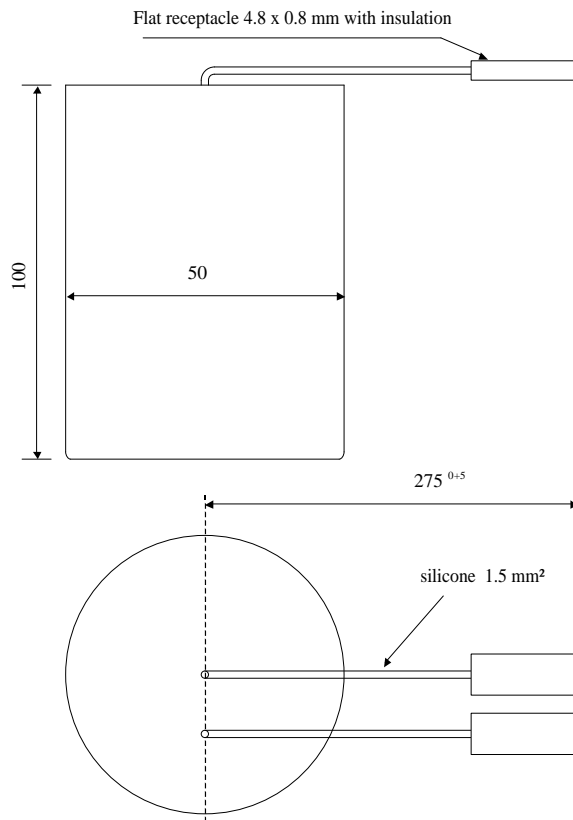


#5604

## Defibrillator Capacitor

PPMF 280-60.0 c3 J



Dielectric of metallized polypropylene

polyurethane resin end sealing

Aluminium case

Parameter	Symbol		Value	Unit	Condition
Capacitance	C		60	μF	1 V / 100 Hz
Tolerance			± 5	%	
Rated voltage	Un DC		2800	VDC	
Max peak current	I cr. max		140	A	
Tangente delta	tgδ		100	10 <sup>-4</sup>	1 V / 100 Hz
Insulation resistance between terminals	Ri		> 20	MΩ	100 VDC - 1 min
Test voltage between terminals	U T1		2900	VDC	2 s.
Test voltage terminals to case	U T2		4200	VDC	1 min
Operating temp.			- 20 / + 60 °C		
Estimated operational life (-5%)			> 3000	shocks	2800 V / 50 Ω
Dimension	Symbol			Unit	Conditions
Diameter	D		50	mm	
Height	H		100		
Terminals					
silicone cable	l		275	mm	
section	s		1.5	mm <sup>2</sup>	
Flat receptacle with insulation			4.8 x 0.8	mm	
	M1				
	M0				
	Modification	Date	Visa émetteur		

Condensateurs  
Kondensatoren  
CapacitorsCH 1401 Yverdon-les-Bains  
Tel.: ++41 24 445 66 88  
Fax: ++41 24 445 66 89

**Le Janché**  
Capacitors  
A FRIEDNER & YAUSSCHE COMPANY

HJJ

10.11.2006

faisab5604.XLS