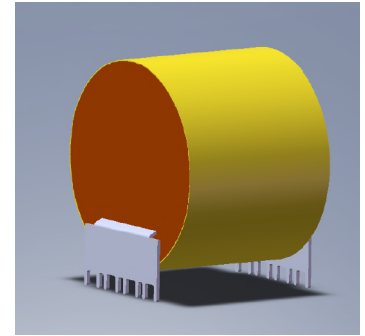
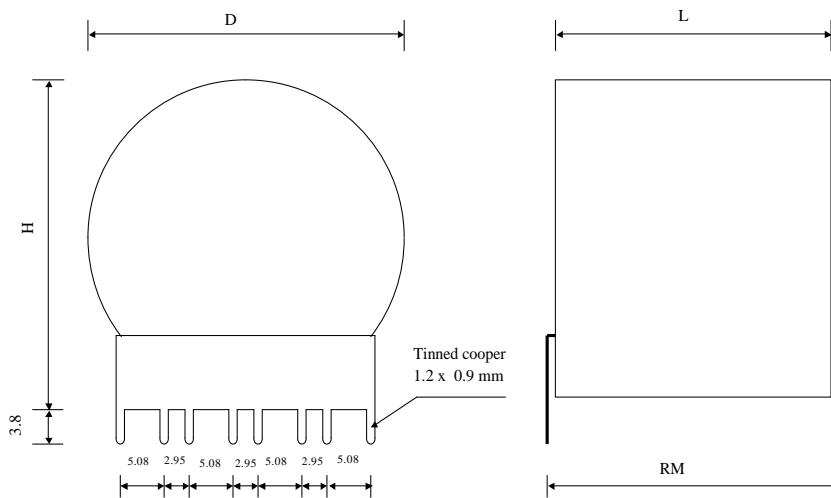


#5999

METALLIZED POLYPROPYLENE CAPACITORS

PPMCI 80-18.0 K



Dielectric of metallized polypropylene

Polyester wrapped flammability UL 510 / Epoxy resin sealing UL 94-V0

Terminals for connection to Printed Circuit Board

Parameter	Symbol	Value	Unit	Condition
Capacitance	C	18	$\mu\text{F}$	1 V / 1 kHz
Tolerance		$\pm 10$	%	
Rated voltage	Un DC	800	VDC	
Rated voltage	Un AC	150	Veff	
RMS current permanent	Ieff max	39	Aeff	10 kHz
slope of voltage variation	du/dt max.	70	V/ $\mu\text{sec}$	
Tangent delta	tg $\delta$	< 5	$10^{-4}$	1 V / 1 kHz
Equivalent series resistance	ESR	< 1.4	m $\Omega$	1 V / 10 kHz
Stray inductance	ESL	$\leq 13$	nH	
Insulation resistance	Ri	> 1120	M $\Omega$	500 VDC - 1 min
Test voltage between terminals	UT1	1200	VDC	10 s
Climatic category		40/105/56		
Estimated operational life (-3%)		> 90'000	h	Un DC / 70°C

Dimension	Symbol	Value	Unit	Conditions
Diameter	D max	45	mm	
Length	L max	33.5	mm	
Height	H max	46	mm	
Terminals				
Tinned cooper	( 8 x )	1.2 x 0.9	mm	
RM		37.5 $\pm$ 0.5	mm	
	M1			
	M0			
	Modification	Date	Visa émetteur	

Condensateurs CH 1400 Yverdon, Switzerland  
 Kondensatoren Tel.: ++41 24 445 66 88  
 Capacitors Fax: ++41 24 445 66 89

**Lectranché**  
**Capacitors**  
A FRODNER & TASCHE COMPANY

HJJ

www.Lcap.ch  
 21.01.2011

capinfo@Lcap.ch  
 faisab5999.XLS