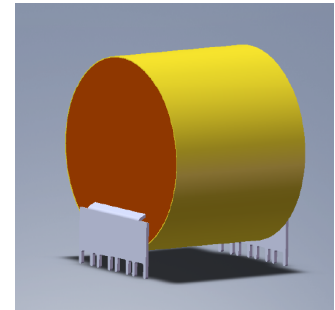
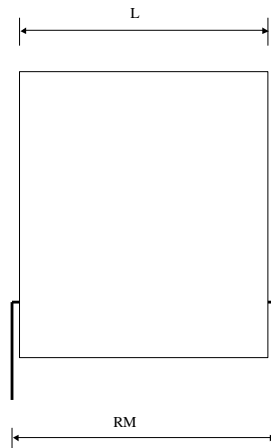
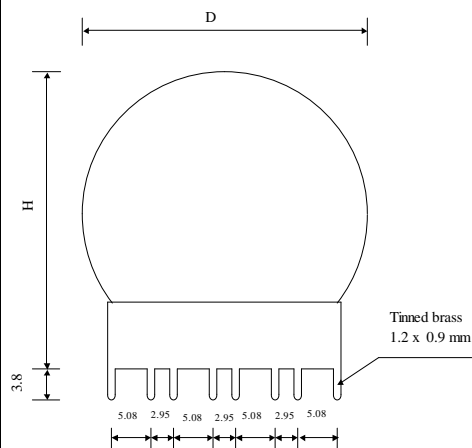


#5913

METALLIZED POLYPROPYLENE CAPACITORS

PPMCI 68-50.0 K

Preliminary



Dielectric of metallized polypropylene

Polyester wrapped flammability UL 510 / Epoxy resin sealing UL 94-V0

Terminals for connection to Printed Circuit Board

Parameter	Symbol		Value	Unit	Condition
Capacitance	C		50	μF	1 V / 1 kHz
Tolerance			± 10	%	
Rated voltage	$U_n \text{ DC}$		680	VDC	
RMS current permanent	$I_{\text{eff max.}}$		19	Aeff	12 kHz to 24 kHz
slope of voltage variation	$du/dt \text{ max.}$		50	V/ μsec	
Tangent delta	$\text{tg}\delta$		< 12	10^{-4}	1 V / 1 kHz
Equivalent series resistance	ESR		< 3.0	m Ω	1 V / 10 kHz
Stray inductance	ESL		≤ 10	nH	
Insulation resistance	R_i		> 400	M Ω	500 VDC - 1 min
Test voltage between terminals	U T1		1400	VDC	10 s
Operating temp.			- 25 / + 85 °C		
Estimated operational life (-3%)					
Dimension	Symbol			Unit	Conditions
Diameter	D max		50	mm	
Length	L max		40	mm	
Height	H max		51	mm	
Terminals					
Tinned brass	(8 x)		1.2 x 0.9	mm	
RM			44 ± 0.5	mm	
	M1				
	M0				
	Modification	Date	Visa émetteur		

Condensateurs CH 1400 Yverdon-les-Bains
 Kondensatoren Tel.: ++41 24 445 66 88
 Capacitors Fax: ++41 24 445 66 89

Le lanché
Capacitors
A FISCHER & TAUSSCH COMPANY

HJJ

01.04.2010

faisab5913.XLS