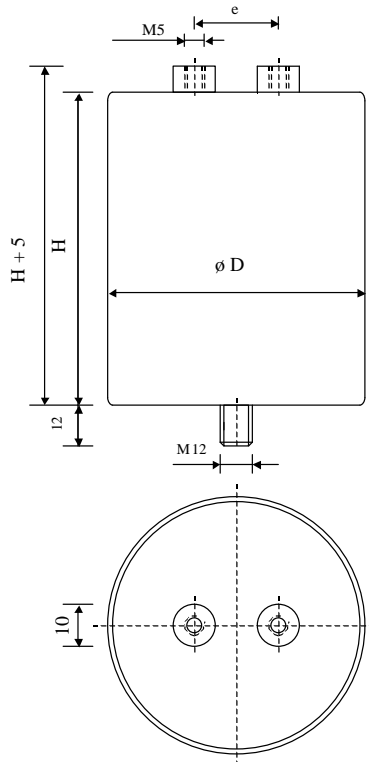


#6174

METALLIZED POLYPROPYLENE CAPACITORS

PPM 90-270.0 cv6 K



Dielectric of metallized polypropylene

Threaded outputs

Resin end sealing

Aluminium case

Parameter	Symbol	Value	Unit	Condition
Capacitance	C	270	$\mu\text{F}$	1 V / 1 kHz
Tolerance		$\pm 10$	%	
Rated voltage	Un DC	900	VDC	
RMS Current	I <sub>eff</sub> max.	55	A <sub>eff</sub>	10 kHz / 40°C
slope of voltage variation	du/dt max.	6.5	V/ $\mu\text{sec}$	max. repetitive
Equivalent serie resistance	ESR	< 2.2	m $\Omega$	1 V / 10 kHz
Stray inductance	ESL	$\leq 65$	nH	
Insulation resistance	Ri x C	$\geq 20'000$	s	300 VDC - 1 min
Test voltage between terminals	U T1	1350	VDC	10 s
Test voltage terminals to case	U T2	2500	VAC	50 Hz / 1 min
Climatic category		25/70/56		
Estimated operational life (-5 %)		100'000	h	900 V / 65°C

Dimension	Symbol	Value	Unit	Conditions
Diameter	D	65	mm	
Height	H	143	mm	
Terminals				
Thread		M5 x 10	mm	
Thread spacing	e	28	mm	
Fixing stud		M12 x 12	mm	
	M1			
	M0	29.04.2013	HJJ	
	Modification	Date	Visa émetteur	

Condensateurs CH 1400 Yverdon-les-Bains  
 Kondensatoren Tel.: ++41 24 447 22 82  
 Capacitors Fax: ++41 24 447 22 85

**Leclanché**  
**Capacitors**  
A FICHER & TALSCHER COMPANY

HJJ 17.04.2013 faisab6174.XLS