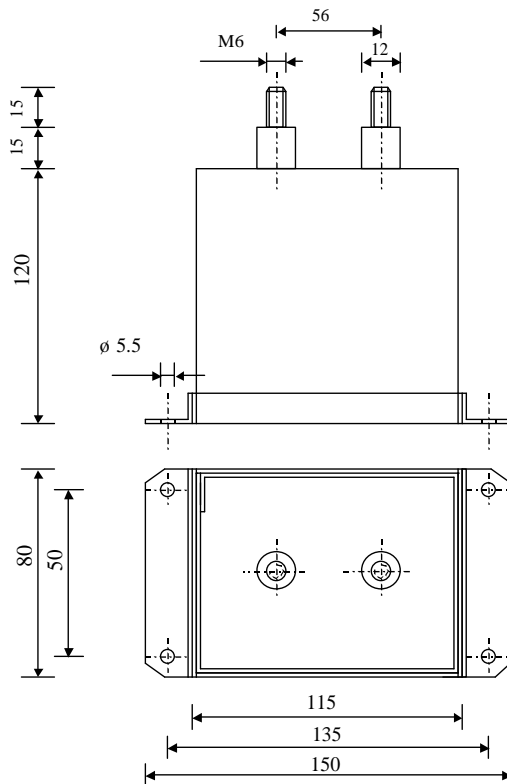


#5726

Filter capacitors

PPM 80-100.0 r K



Dielectric of metallized polypropylene

Threaded outputs

Epoxy resin end sealing

Aluminium case

Parameter	Symbol		Value	Unit	Condition
Capacitance	C		100	μF	1 V / 1 kHz
Tolerance			± 10	%	
Rated voltage	Un DC		800	VDC	
Rated voltage	Un AC		300	Veff	50 - 300 Hz
RMS Current	Ieff		3C	Aeff	10 kHz
slope of voltage variation	du/dt max.		20	V/ μsec	max. repetitive
Repetitive surge current	I cr. max		2000	A	
Tangent delta	tg δ		28	10^{-4}	1 V / 1 kHz
Equivalent serie resistance	ESR		≤ 5	m Ω	10 kHz
Stray inductance	ESL		≤ 70	nH	
Insulation resistance	Ri x C		$> 20'000$	s	500 VDC - 1 min
Test voltage between terminals	U T1		2400	VDC	10 s
Test voltage terminals to case	U T2		3000	VAC	1 min
Operating temp.			- 25 / + 70 °C		
Estimated operational life (-3%)			100'000	h	Un DC - 70°C
Dimension	Symbol			Unit	Conditions
Width	B		80	mm	
Length	L		115	mm	
Height	H		120	mm	
Thread			M6 x 15	mm	
Thread spacing			56	mm	
	M1				
	M0				
	Modification	Date	Visa émetteur		

Condensateurs
Kondensatoren
Capacitors

CH 1400 Yverdon-les-Bains
Tel.: ++41 24 445 66 88
Fax: ++41 24 445 66 89

Le lanché
Capacitors
A FISCHER & TAUSSIG COMPANY

HJJ

09.06.2008

faisab5726.XLS