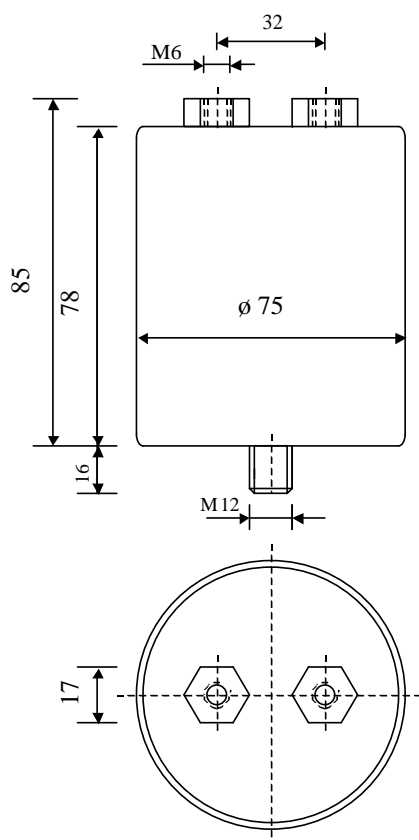


#5704

METALLIZED POLYPROPYLENE CAPACITORS

PPM 50-230.0 cv6 K



Dielectric of metallized polypropylene

Threaded outputs

Resin end sealing

Aluminium case

Plastic sleeve

1 kHz to 20 kHz Temp. [°C]	I RMS max. [A]
25	48
50	37
75	21

Parameter	Symbol	Value	Unit	Condition
Capacitance	C	230	μF	1 V / 1 kHz
Tolerance		± 10	%	
Rated voltage	Un DC	500	VDC	
Rated voltage	Un AC	120	VAC	50 Hz to 200 Hz
Slope of voltage variation	du/dt max.	20	V/μs	max. repetitive
Repetitive surge current	I cr. max	4600	A	
Tangent delta	tgδ	≤ 35	10 ⁻⁴	1 V / 1 kHz
Equivalent serie resistance	ESR	2.5	mΩ	1 V / 10 kHz
Stray inductance	ESL	≤ 50	nH	
Insulation resistance	Ri x C	≥ 20'000	s	100 VDC - 1 min
Test voltage between terminals	U T1	750	VDC	10 s
Test voltage terminals to case	U T2	2700	VAC	50 Hz / 1 min
Climatic category		55/85/56		
Estimated operational life (-3%)		100'000	h	Un DC - 70°C

Dimension	Symbol	Value	Unit	Condition
Diameter	D	75	mm	
Height	H	78	mm	
Terminals				
Thread		M6 x 6	mm	
Thread spacing	e	32	mm	
Fixing stud		M12 x 16	mm	
	M1			
	M0			
	Modification	Date	Visa émetteur	

Condensateurs
Kondensatoren
Capacitors

CH 1400 Yverdon-les-Bains
Tel.: ++41 24 445 66 88
Fax: ++41 24 445 66 89

Le lanché
Capacitors
A FISCHER & TADIRANI COMPANY

HJJ

10.01.2008

faisab5704.XLS