

**Application:** DC/AC capacitor for general use in power electronics  
also for nonsinusoidal voltages and currents

**Order code:** PPM 150-26.0 uv (J)

**Standards:** acc. to IEC 61071:2007

**Approval mark:**  UL810  
CSA C22.2 No. 190 -M1985

**Characteristics**

Rated capacitance	<b>C<sub>N</sub></b>	26 µF ±5%
Rated d.c. voltage	<b>U<sub>NDC</sub></b>	1500 V d.c.
Rated a.c. voltage	<b>U<sub>NAC</sub></b>	740 V a.c.
Max. rms voltage (sinusoidal)	<b>U<sub>rms</sub></b>	520 V
Non-recurrent surge voltage	<b>u<sub>s</sub></b>	2250 V
Rated energy	<b>W<sub>N</sub></b>	29.3 Ws
Maximum current	<b>I<sub>max</sub></b>	100 A
Maximum peak current	<b>î</b>	2.6 kA
Maximum surge current	<b>I<sub>s</sub></b>	8 kA
Series resistance	<b>R<sub>s</sub></b>	0.23 mΩ
dielectric dissipation factor	<b>tanδ<sub>o</sub></b>	2 x10 <sup>-4</sup>
Self discharge time const.	<b>C x R<sub>is</sub></b>	5000 s
Self-inductance	<b>L<sub>e</sub></b>	15 nH

**Thermal conditions**

Lowest operating temperature	<b>Θ<sub>min</sub></b>	-25 °C
Maximum operating temperature	<b>Θ<sub>max</sub></b>	85 °C
Storage temperature	<b>Θ<sub>storage</sub></b>	-40...+85 °C
Thermal resistance	<b>R<sub>th</sub></b>	4.2 K/W
Humidity class		G

**Statistical lifetime**

> 200000 h

**Failure rate**

< 100 FIT\*

at **Θ<sub>hotspot</sub>**

≤70 °C

\* See FIT-RATE diagram on pg.3

**Test data**

Voltage test between terminals	<b>U<sub>TT</sub></b>	2250 V DC/10s
--------------------------------	-----------------------	---------------

**Dimensions**

Rated diameter	<b>D<sub>1</sub></b>	105 (±1) mm
Length of the case	<b>L<sub>1</sub></b>	59 (±1) mm
total Length	<b>L<sub>2</sub></b>	66 (±1) mm
Terminal	<b>G</b>	M8 x 10 mm
Diameter of terminals	<b>D<sub>2</sub></b>	20 mm
Clearance in air	<b>L</b>	144 mm
Creepage distance	<b>K</b>	144 mm

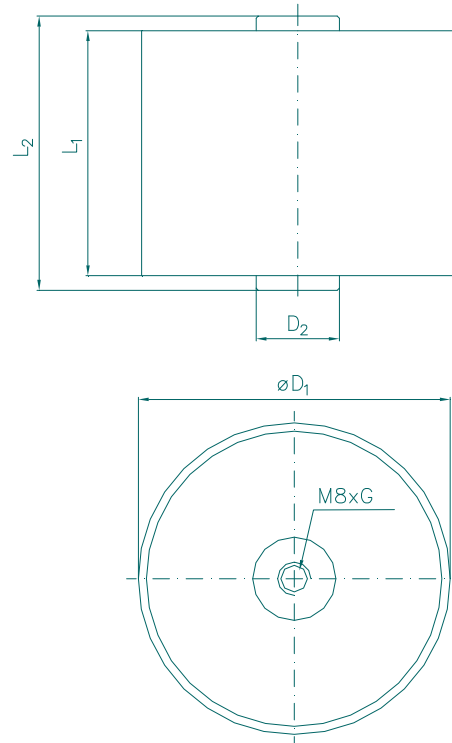
**Approx weight**

0.67 kg

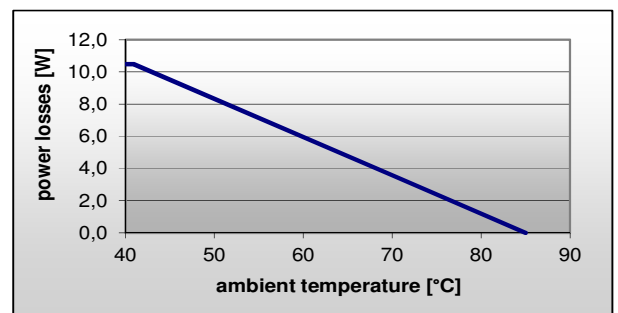
**Mechanical characteristics**

Dielectric	metallized polypropylene capacitor, selfhealing
Construction	plastic case with resin moulded winding, UL94: V0
Protection	without internal fuse, to be used only in uncritical environment
Terminals	screw base, inside thread
Impregnant	no liquid impregnants, filled with solidified PUR resin,non PCB
Fire load	26,8MJ

**outline drawing**



**permitted power losses during continuous operation**



**The export of this item may be subject to German export control regulations!**