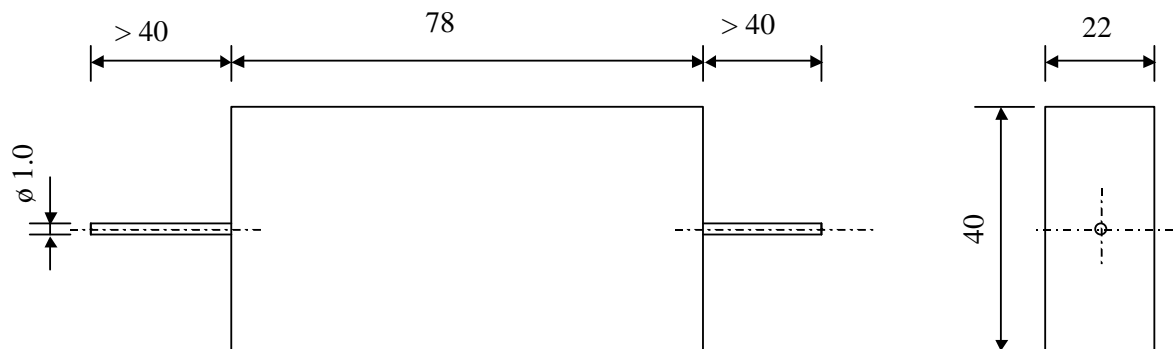


#5747

METALLIZED POLYPROPYLENE CAPACITORS

PPM 1200-110 ru K



Dielectric of metallized polypropylene

Plastic case - resin filled

| Parameter | Symbol | Value | Unit | Condition |
|----------------------------------|--------------|-----------------------------|--------------------|-----------------|
| Capacitance | C | 0.01 | μF | 1 V / 1 kHz |
| Tolerance | | ± 10 | % | |
| Rated voltage | Un DC | 12'000 | VDC | |
| Rated voltage | Un AC | 6300 | VAC | 50 Hz |
| slope of voltage variation | du/dt max. | 3000 | V/ μsec | max. repetitive |
| Repetitive surge current | I cr. max | 30 | A | |
| Tangente delta | tg δ | 6 | 10^{-4} | 1 V / 1 kHz |
| Tangente delta | tg δ | 12 | 10^{-4} | 1 V / 10 kHz |
| Stray inductance | ESL | ≤ 150 | nH | |
| Insulation resistance | Ri | $> 100'000$ | M Ω | 300 VDC - 1 min |
| Test voltage between terminals | U T1 | 18'000 | VDC | 1 min |
| Climatic category | | 40/85/56 | | |
| Estimated operational life (-3%) | | 100'000 | h | Un DC / 70°C |
| Dimension | Symbol | Value | Unit | Conditions |
| Width | B | 40 ± 1 | mm | |
| Height | H | 22 ± 1 | mm | |
| Length | L | 78 ± 1 | mm | |
| Terminals | | | | |
| Axial tinned wire | d | $\varnothing 1.0 \times 40$ | mm | |
| | | | | |
| | | | | |
| | M1 | | | |
| | M0 | | | |
| | Modification | Date | Visa émetteur | |

Condensateurs CH 1400 Yverdon-les-Bains
 Kondensatoren Tel.: ++41 24 445 66 88
 Capacitors Fax: ++41 24 445 66 89

Le lanché
Capacitors
AFRISOHN & VALESCHE COMPANY

HJJ

03.09.2008

faisab5747.XLS