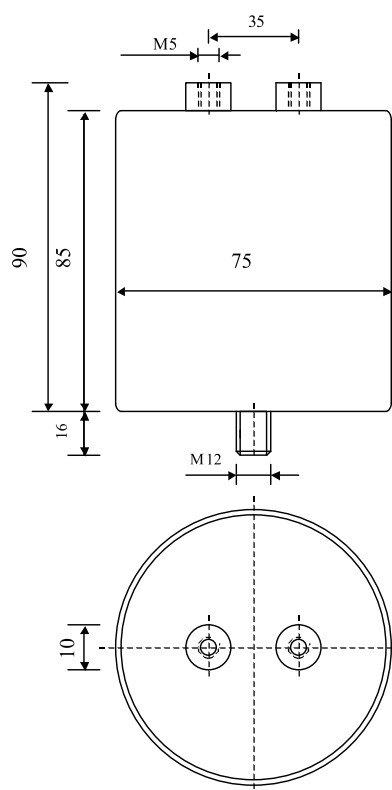


#5772

METALLIZED POLYPROPYLENE CAPACITORS

PPM 110-4.0 cv6 K



Preliminary  
data sheet

Dielectric of metallized  
polypropylene

Threaded outputs

Resin end sealing

Aluminium case

Parameter	Symbol	Value	Unit	Condition
Capacitance	C	4	$\mu\text{F}$	1 V / 1 kHz
Tolerance		$\pm 10$	%	
Rated voltage	Un DC	1100	VDC	
Surge voltage	Us	2400	V cr.	
RMS Current	Ieff max.	20	Aeff	2 kHz to 100 kHz
slope of voltage variation	du/dt max.	300	V/ $\mu\text{sec}$	max. repetitive
Tangent delta	tg $\delta$	$\leq 10$	$10^{-4}$	1 V / 1 kHz
Equivalent serie resistance	ESR	4.2	m $\Omega$	1 V / 10 kHz
Stray inductance	ESL	$\leq 60$	nH	
Insulation resistance	Ri x C	$\geq 30'000$	s	300 VDC - 1 min
Test voltage between terminals	U T1	3000	VDC	10 s
Test voltage terminals to case	U T2	3000	VAC	50 Hz / 1 min
Climatic category		27/70/56		
Estimated operational life (-5 %)		100'000	h	UnDC / 70 °C

Dimension	Symbol	Value	Unit	Conditions
Diameter	D	75	mm	
Height	H	85	mm	
Terminals				
Thread		M5 x 10	mm	
Thread spacing	e	35	mm	
Fixing stud		M12 x 16	mm	

M1

M0

Modification

Date

Visa émetteur

Condensateurs  
Kondensatoren  
Capacitors

CH 1400 Yverdon-les-Bains  
Tel.: ++41 24 447 22 82  
Fax: ++41 24 447 22 85

**Le lanché**  
**Capacitors**  
A FISCHER & FAUSCHÉ COMPANY

HJJ

02.12.2008

faisab5772.XLS