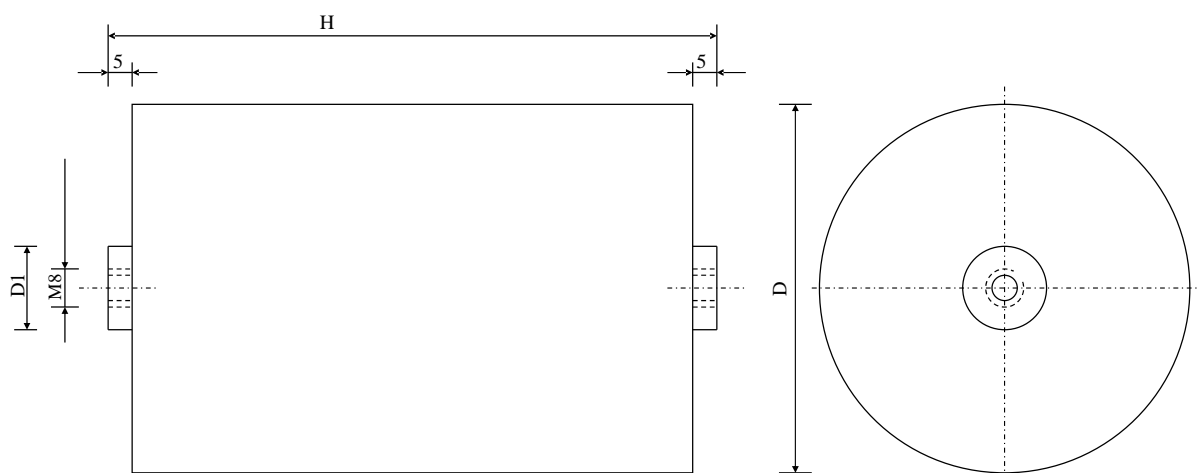


#6285

Power capacitors

PPM 1000-20.0 uv K



Dielectric of metallized polypropylene - Plastic tube

Polyurethane resin end sealing - Threaded outputs

Parameter	Symbol	Value	Unit	Condition
Capacitance	C	20	$\mu\text{F}$	1 V / 1 kHz
Tolerance		$\pm 10$	%	
Rated voltage	Un DC	10000	VDC	
Rated voltage	Un RMS	1500	Veff	50 Hz to 200 Hz
RMS Current max	I <sub>eff</sub>	60	A	10 kHz
Impulse current	I <sub>cr.</sub>	4000	A	max.
Tangent delta	tg $\delta$	$\leq 12$	$10^{-4}$	1 V / 1 kHz
Equivalent serie resistance	ESR	$\leq 5.5$	m $\Omega$	10 kHz
Stray inductance	ESL	$\leq 200$	nH	
Insulation resistance	Ri x C	$> 50'000$	s	500 VDC - 1 min
Test voltage between terminals	U T1	15	kVDC	1 min
Estimated operational life (-3%)		100'000	h	10000 V / 70 °C

Dimension	Symbol	Value	Unit	Conditions
Diameter	$\varnothing D$	140	mm	
Height	H	$448 \pm 1.0$	mm	
Terminals				
Thread		M8 x 8	mm	
	D1	22	mm	
	M1			
	M0			
Modification	Date	Visa émetteur		

Condensateurs CH 1400 Yverdon, Switzerland  
 Kondensatoren Tel.: ++41 24 445 66 88  
 Capacitors Fax: ++41 24 445 66 89

**Lecan**  
**Capacitors**  
A FRESHER & TAVESCHÉ COMPANY

HJJ

www.Lcap.ch  
 07.04.2014

capinfo@Lcap.ch  
 faisab6285.XLS