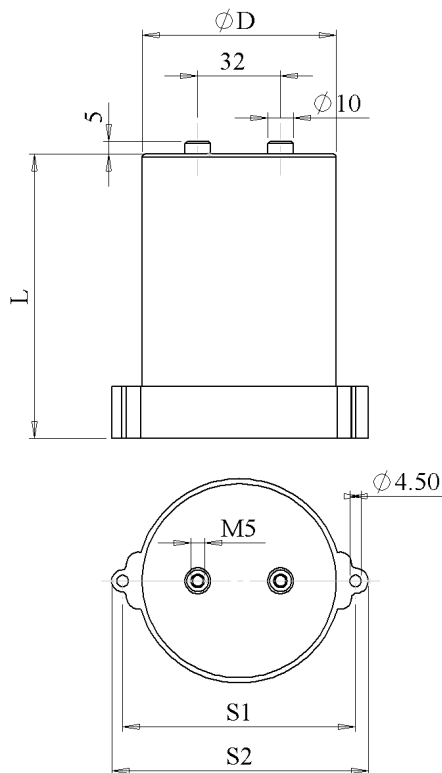


#5896

Power CAPACITORS

PAM 66-25.0 c6w K



Dielectric of metallized polypropylene

Threaded outputs

Resin end sealing

Aluminium case

Plastic ring clamp

Parameter	Symbol	Value	Unit	Condition
Capacitance	C	25	μF	1 V / 1 kHz
Tolerance		± 10	%	
Rated voltage	Un DC	1250	VDC	
Rated voltage	Un AC	660	VAC	50 Hz to 200 Hz
RMS Current permanent	I _{eff max.}	35	A _{eff}	10 kHz
Repetitive surge current	I _{cr. max}	1625	A	
Equivalent serie resistance	ESR	4	$\text{m}\Omega$	1 V / 10 kHz
Stray inductance	ESL	≤ 90	nH	
Insulation resistance	Ri x C	$\geq 10'000$	s	500 VDC - 1 min
Test voltage between terminals	U T1	1800	VDC	10 s
Test voltage terminals to case	U T2	3000	VAC	50 Hz / 1 min
Climatic category		25/70/56		
Estimated operational life (-3 %)		$> 30'000$	h	Un AC / 50 Hz / 70°C

Dimension	Symbol	Value	Unit	Conditions
Diameter	D	75	mm	
Length	L	146	mm	
Terminals				
Thread		M5 x 10	mm	
Thread spacing	e	32	mm	
	S1	90		
	S2	101		
	M1			
	M0			
Modification	Date	Visa	émetteur	

Condensateurs CH 1400 Yverdon-les-Bains
 Kondensatoren Tel.: ++41 24 447 22 82
 Capacitors Fax: ++41 24 447 22 85

Le lanché
Capacitors
ATTORNEY & TRADE COMPANY

HJJ

05.02.2010

faisab5896.XLS