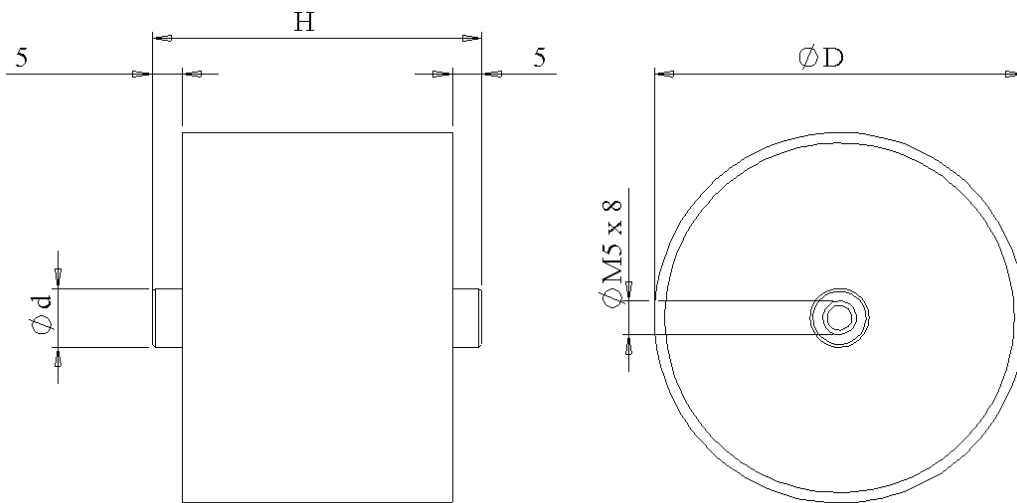
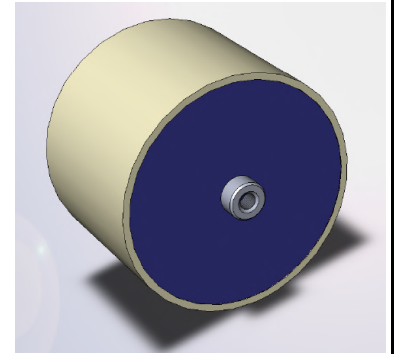


#6157

HIGH VOLTAGE METALLIZED CAPACITORS

PAM 20-075 uv1 K

Dielectric of metallized polypropylene - Plastic tube
resin end sealing - Threaded outputs



Parameter	Symbol	Value	Unit	Condition
Capacitance	C	0.75	µF	1 V / 1 kHz
Tolerance		± 10	%	
Rated voltage	Un AC	200	VRMS	
Tangent delta	tgδ	5	10-4	1 V / 1 kHz
Equivalent series resistance	ESR	< 10.0	mΩ	1 V / 10 kHz
Stray inductance	ESL	< 15	nH	
Insulation resistance	Ri	> 100'000	MΩ	500 VDC - 1 min
Test voltage between terminals	U T1	500.00	VAC	50 Hz / 1 min
Partial discharge Test after test voltage U	Ui	< 10	pC	250 VAC
Partial discharge Test after test voltage U	Ui	< 5	pC	150 VAC
Lightning Impulse (1.2 / 50 µs)	V cr.	+ 1.1	kV	10 x
Lightning Impulse (1.2 / 50 µs)	V cr.	- 1.1	kV	10 x
Operating Temperature		-40 / + 70	°C	
Dimension	Symbol	Value	Unit	Conditions
Diameter	D	63	mm	
Height	H	56	mm	
Terminals				
Thread		M5 x 8	mm	
	ø d	10	mm	
	M1			
	M0			
	Modification	Date	Visa émetteur	

Condensateurs CH 1400 Yverdon, Switzerland
Kondensatoren Tel.: ++41 24 445 66 88
Capacitors Fax: ++41 24 445 66 89

Leclanché
Capacitors
A FISCHER & TAUSSCHER COMPANY

HJJ

www.Lcap.ch
06.02.2013

capinfo@Lcap.ch
faisab6157.XLS