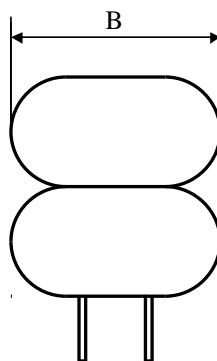
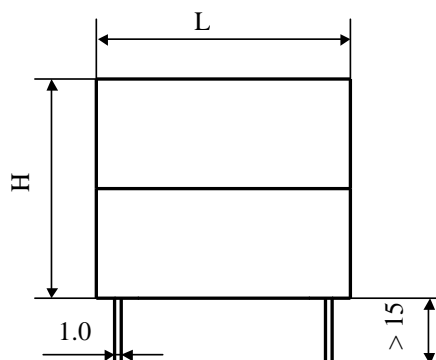
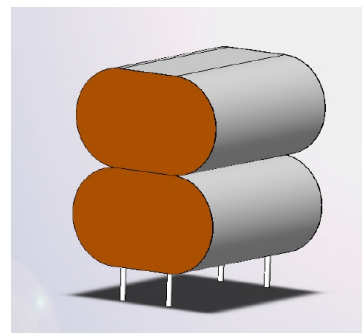
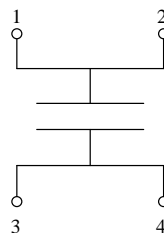
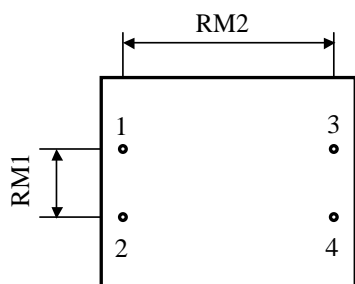


#6112

Power Electronics Capacitors

MKT-4 25-39.0 g K



Dielectric of metallized polyester

Polyester wrapped flammability UL 510 / Epoxy resin sealing UL 94-V0

Parameter	Symbol	Value	Unit	Condition
Capacitance	C	39	μF	1 V / 1 kHz
Tolerance		± 10	%	
Rated voltage	U_r	250	VDC	85°C
RMS current	I RMS max.	16	A _{eff}	100 kHz / 105°C
slope of voltage variation	du/dt max.	22	V/ μsec	max. repetitive
Repetitive surge current	I cr. max	858	A	
Tangente delta	$\text{tg}\delta$	≤ 90	10^{-4}	1 kHz
Equivalent serie resistance	ESR	≤ 3.5	m Ω	100 kHz
Stray inductance	ESL	≤ 10	nH	
Insulation resistance	R _i	> 100	M Ω	100 VDC - 1 min
Test voltage between terminals	U T1	400	VDC	10 s
Climatic category		55/125/21		
Dimension	Symbol	Value	Unit	Conditions
Width	B max	32	mm	
Height	H max	32	mm	
Length	L max	32.5	mm	
Terminals				
Radial tinned wire	\varnothing	1	mm	
RM1		15.24 ± 0.6	mm	
RM2		27.94 ± 0.6	mm	
	M1			
	M0			
	Modification	Date	Visa émetteur	

Condensateurs CH 1400 Yverdon, Switzerland
 Kondensatoren Tel.: ++41 24 445 66 88
 Capacitors Fax: ++41 24 445 66 89

Lecaniché
Capacitors
A FISCHER & TOSCHKE COMPANY

HJJ

www.Lcap.ch
 15.06.2012

capinfo@Lcap.ch
 faisab6112.XLS