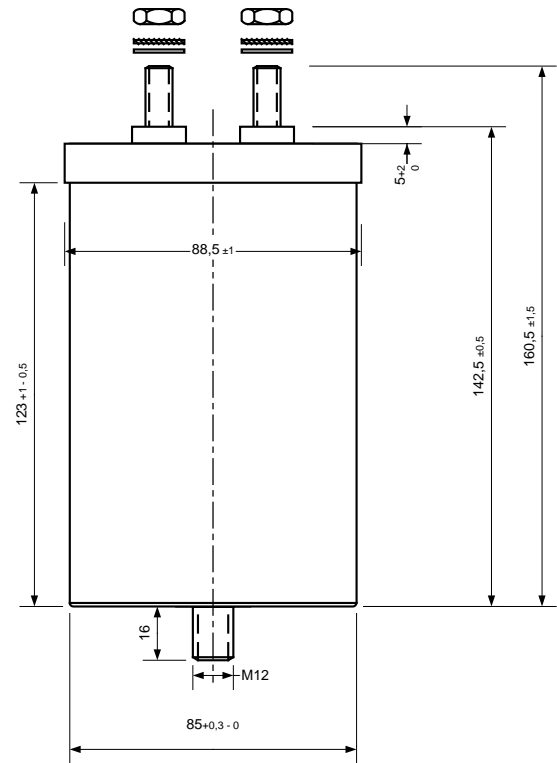


Technical data

Nominal capacitance	C_N	550 $\mu\text{F} \pm 5\%$
Nominal voltage dc	U_{NDC}	900 V
Energy	W_N	222 Ws
Nominal current	I_N	35 A
Max. Peak current	\hat{I}	8300 A
Max. Pulse rise time	$\Delta U/\Delta t$	15 V/ μs
Series resistance	R_S	< 3,50 m Ω
Dissipation factor	$\tan\delta$	2 x10 ⁻⁴
Self inductance	L_E	< 15 nH
Min. Operating temperature	ϑ_{min}	-40 °C
Max. Operating temperature	ϑ_{max}	+70 °C
Storage temperature	ϑ_{Lager}	-45...+85 °C
Thermal resistance	R_{th}	2,1 °C/W
Climatic category DIN IEC 68/1		40/070/21



Test Data

Test voltage between terminals	U_{TT}	1350 VDC / 10s
Test voltage between terminal/case	U_{TC}	4600 VAC / 60s

Life expectancy

@ hot spot 100 000 h

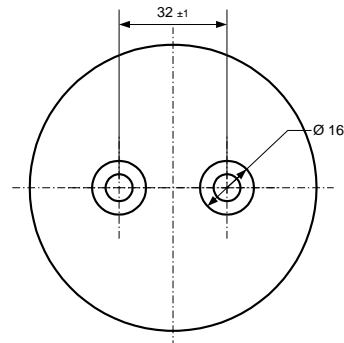
@ 0,5 x U_N ; 40°C 60 °C

Failure rate

@ 0,5 x U_N ; 40°C 1 fit

General technical data

Casing material	Aluminium
Base Stud	M12 x 16, torque 7Nm
Dielectric	Polypropylene
Terminals	M8 x 18, torque 6Nm
Weight	~ 0,9 kg



Voltage [Vndc]	Capacitance [μF]	I_{rms} max [A]	L_E max [nH]	R_{ESR} [m Ω]	Order Code
600	900	35	< 15	< 2,5	CXP900 μ 600d085136
700	700	35	< 15	< 3,0	CXP700 μ 700d085136
900	550	35	< 15	< 3,5	CXP550 μ 900d085136
1100	370	35	< 15	< 4,0	CXP370 μ 1.1kd085136
1300	250	35	< 15	< 4,5	CXP250 μ 1.3kd085136

Please ask for more details and other C / U combinations
and terminals