

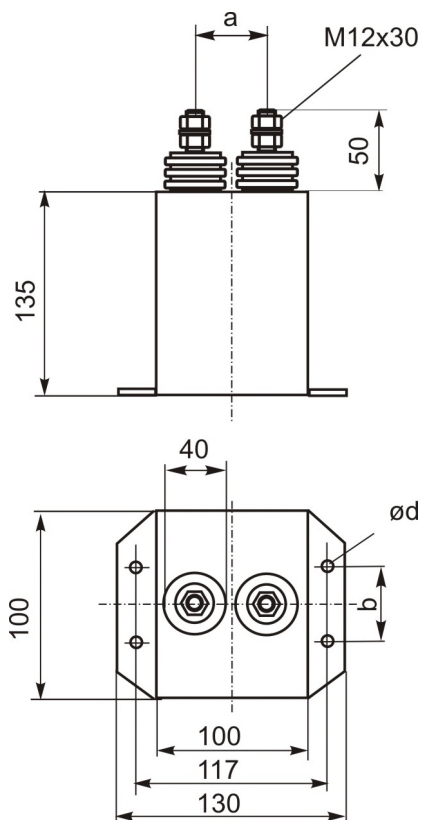
Order code: BHS 200-4.0 r (K) rev1
Application: AC/DC capacitor for overvoltage protection, damping, smoothing, filtering

Standard: acc. to IEC 61071:2007

Characteristics

| | | |
|-----------------------------|---------------------------|----------------------|
| Rated capacitance | C_N | 4 μF -5/+10% |
| Rated d.c. voltage | U_{N DC} | 2000 V d.c. |
| Rated a.c. voltage | U_{N AC} | 1400 V a.c. |
| Rms voltage | U_{rms} | 1000 V |
| Insulation voltage | U_i | 7000 V |
| Non-recurrent surge voltage | u_s | 6000 V |
| Rated energy | W_N | 8 Ws |
| Maximum current | I_{max} | 3 A |
| Maximum peak current | I_̂ | 2 kA |
| Maximum surge current | I_s | 6 kA |
| Series resistance | R_s | 2 mΩ |
| Tangent of the loss angle | tanδ_o | 2 x 10 ⁻⁴ |
| Self discharge time const. | C x R_{is} | 10000 s |
| Self inductance | Le | ~ 100 nH |
| Resonance frequency | f_r | ~ 250 kHz |

outline drawing



Thermal conditions

| | | |
|-------------------------------|------------------------|-----------|
| Lowest operating temperature | Θ_{min} | -25 °C |
| Maximum operating temperature | Θ_{max} | 70 °C |
| Thermal resistance | R_{th} | ~ 6.3 K/W |

| | | |
|---------------------|----------------------------|-------------|
| Storage temperature | Θ_{storage} | -40..+85 °C |
| Humidity class | | C |

Failure rate

| | | |
|-------------------------|--|----------|
| | | 100 FIT |
| at Θ _{hotspot} | | 60 °C |
| Reference service life | | 100000 h |

Test data

| | | |
|---------------------------------|-----------------------|----------------|
| Voltage test between terminals | U_{BB} | 6000 V DC/10s |
| A.C. voltage test terminal/case | U_{BG} | 15000 V AC/10s |

Dimensions ¹⁾

| | | |
|----------------------------|----------|--------|
| Height of the case | H | 135 mm |
| Length of the case | L | 100 mm |
| Width of the case | W | 100 mm |
| Distance of terminals | a | 45 mm |
| Distance of mounting holes | b | 50 mm |
| Diameter of mounting holes | d | 9 mm |
| Clearance in air | L | 30 mm |
| Creepage distance | K | 43 mm |

Approx weight 2 kg

Mechanical characteristics

| | |
|--------------|---|
| Dielectric | MKP-AC/DC - metallized polypropylene capacitor, self-healing |
| Construction | Stainless steel case, welded, brass terminals, plastic insulators (V0 UL94) |
| Protection | without internal fuse, to be used only in uncritical environment |
| Impregnant | dry type ,resin moulded (Non PCB) |
| Fire load | 60MJ |