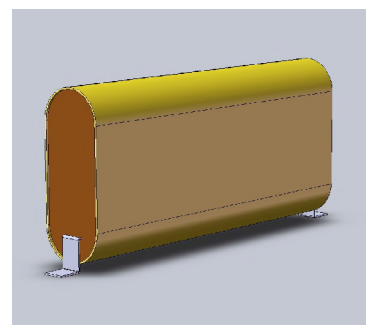
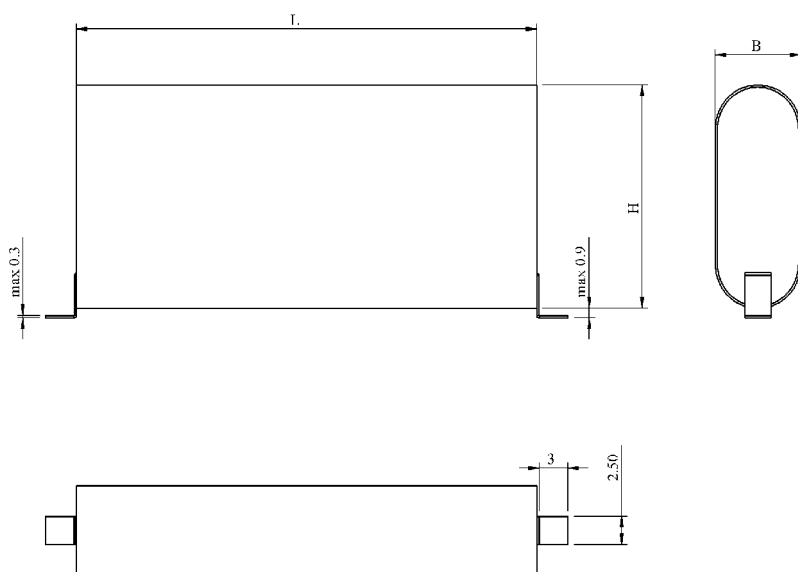


#6293

HIGH VOLTAGE METALLIZED CAPACITORS

MKT 160-056 avsi K



Dielectric of metallized polyester
 Polyester wrapped flammability UL 510 / Epoxy resin sealing UL 94-V0
 Terminals SMD leads

Parameter	Symbol		Value	Unit	Condition
Capacitance	C		0.56	μF	1 V / 1 kHz
Tolerance			± 10	%	
Rated voltage	Un DC		1600	VDC	
RMS current permanent	I _{eff} ma:		1	A _{eff}	100 kHz / 100 °C
slope of voltage variation	du/dt max.		30	V/ μsec	
Tangent delta	tg δ		< 65	10^{-4}	1 V / 1 kHz
Stray inductance	ESL		≤ 18	nH	
Insulation resistance	Ri		> 5000	M Ω	500 VDC - 1 min
Test voltage between terminals	U T1		1920	VDC	1 min.
Operating temp.			- 55 / + 125°C		
Dimension	Symbol			Unit	Conditions
Diameter	B max		8	mm	
Length	L		43 + 1	mm	
Height	H max		20	mm	
Terminals					
Tinned brass			2.5 x 3	mm	
	M1				
	M0				
	Modification	Date	Visa émetteur		

Condensateurs CH 1400 Yverdon, Switzerland
 Kondensatoren Tel.: ++41 24 445 66 88
 Capacitors Fax: ++41 24 445 66 89

Leclanché
Capacitors
A FISCHER & TAUSSCH COMPANY

HJJ

www.Lcap.ch
 24.04.2014

capinfo@Lcap.ch
 faisab6293.XLS