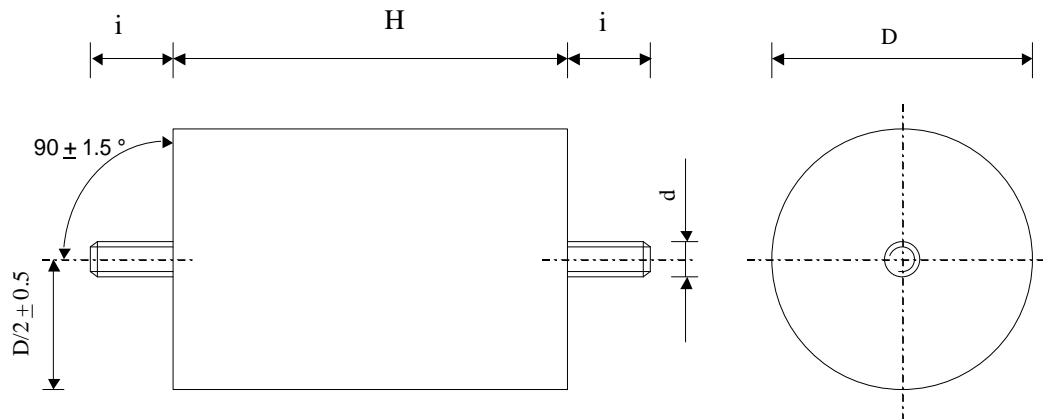


# 5966

## High Voltage capacitors

TYPE  
KHT 50-010 uv K

Mixed Film + Metal Foil

Plastic tube - Polyurethane resin sealing - Threaded outputs

Paramètre	Symbol	Value	Unit	Condition
Capacitance	C	100	nF	20°C, 1 kHz
Tolérance		± 10	%	
Rated voltage	Un AC	500	VAC	
Rated voltage	Un DC	10'000	VDC	
Slope of voltage variation	du/dt max.	17'000	V/μs	max. repetitive
Repetitive surge current	I cr. max	1700	A	max. repetitive
Tangent delta	tgδ	≤ 10 E-4		1 V / 1 kHz / 25 °C
Stray inductance	ESL	≤ 70	nH	
Insulation resistance	Ri	> 100'000	MΩ	500 VDC - 1 min
Test voltage between terminals				
Lightning impulse ( 1 x )	Us	22	kV	1.2/50 μs
Operating temperature		- 40 / + 70 °C		

Dimension	Symbole	Value	Unité	Conditions
Diameter	D	63	mm	
Height	H	100	mm	
Terminals				
Thread	d	M4	mm	
	i	8 ± 2	mm	
	M2			
	M1			
	MC			
Modification	Date	Visa émetteur		

Condensateurs CH 1400 Yverdon, Switzerland  
 Kondensatoren Tel.: ++41 24 445 66 88  
 Capacitors Fax: ++41 24 445 66 89

**Leclanché**  
**Capacitors**  
A FISCHER & TAUSSIG COMPANY

HJJ

www.Lcap.ch  
 08.10.2010

capinfo@Lcap.ch  
 faisab5966.XLS

