

77 51 001 Installing LED auxiliary headlights (10 FRUs)

+ 77 51 502

Equipment trim-level variant:

LED auxiliary headlights^{OA}

0636 - Centre stand^{OE}

0519 - Heated handlebar grips^{OE}

Preparatory work

Removing seat

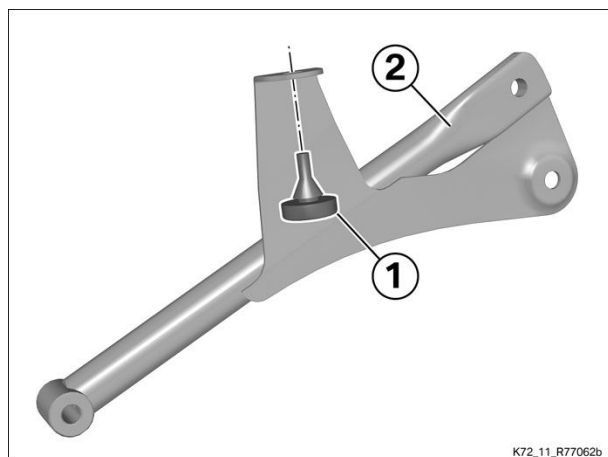
Removing centre trim panel

Removing left cover for intake air pipe


Removing right cover for intake air pipe

Core activity

(-) Preparing left bracket

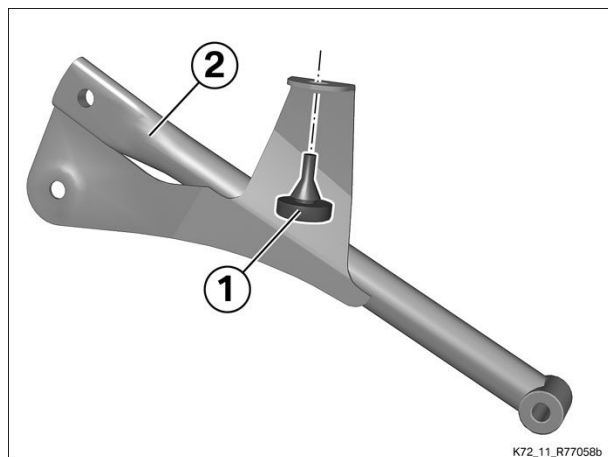


- Lightly lubricate stop buffer (1).


 Installation tool	
Silicone spray	83 19 2 208 609

- Install stop buffer (1) in bracket (2).

(-) Preparing right bracket



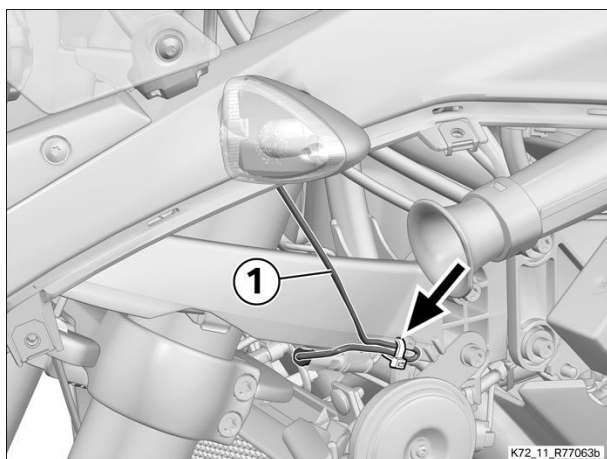
- Lightly lubricate stop buffer (1).

 Installation tool	
Silicone spray	83 19 2 208 609

- Install stop buffer (1) in bracket (2).

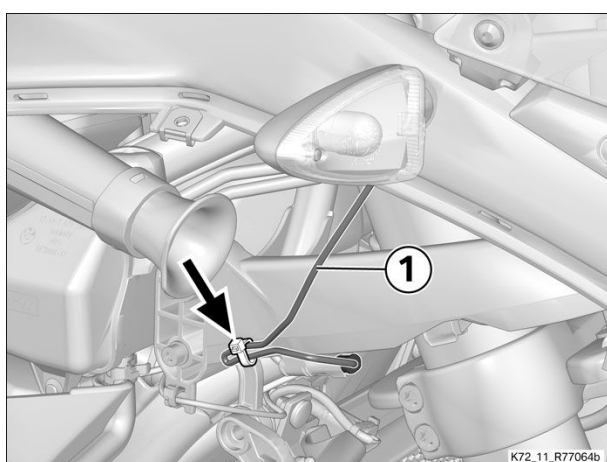
(-) Disengaging connecting line for left flashing turn indicator

- Remove cable tie (arrow).
- Carefully pull connecting line (1) forward.



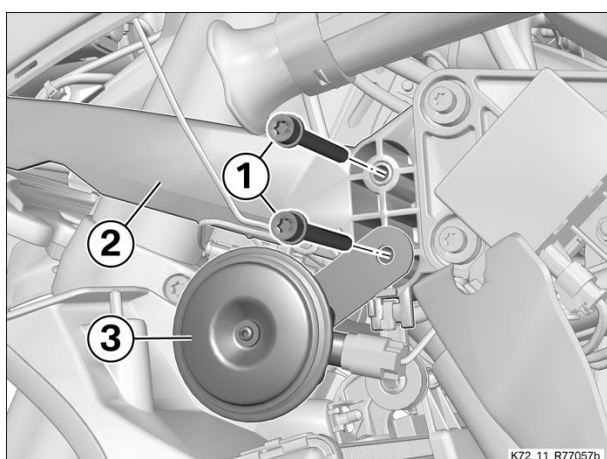
(-) Disengaging connecting line for right flashing turn indicator

- Remove cable tie (arrow).
- Carefully pull connecting line (1) forward.



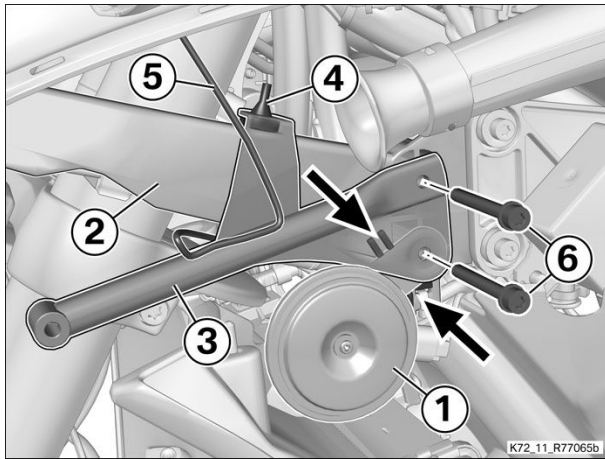
(-) Removing left screws from front panel carrier and disengaging horn

- Remove screws (1) from front panel carrier (2) and lay them safely aside (needed for subsequent reassembly).
- Carefully allow horn (3) to dangle from the cable.




(-) Installing horn with left bracket

- Position horn (1) between the locators (arrows) on the front panel carrier.
- Position bracket (3) on front panel carrier (2), easing stop buffer (4) on to front panel carrier (2) from above.
- Route connecting line for flashing turn indicator (5) along outside of bracket (3).

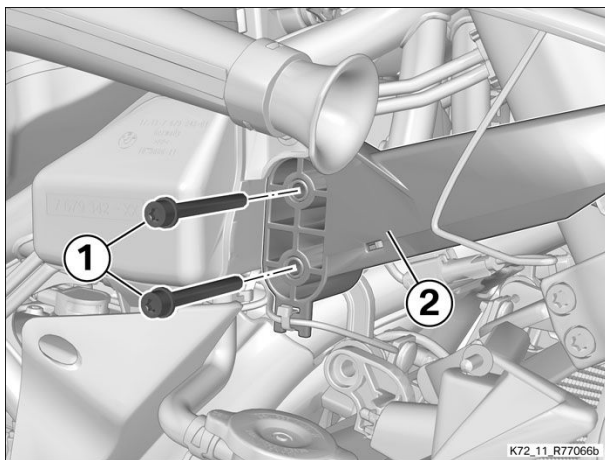


- Install screws (6).

 Tightening torques		
Front panel carrier (side) to frame		
M6 x 55	8 Nm	

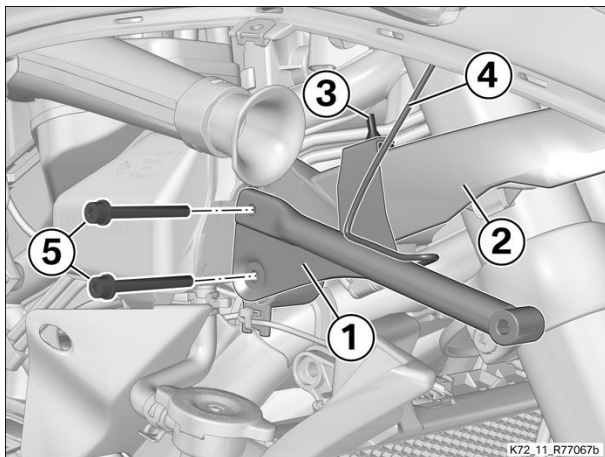
(-) Remove right screws of front panel carrier


- Remove screws (1) from front panel carrier (2) and lay them safely aside (needed for subsequent reassembly).



(-) Installing right bracket


- Position bracket (1) on front panel carrier (2), easing stop buffer (3) on to front panel carrier from above.
- Route connecting line for flashing turn indicator (4) along outside of bracket (1).
- Install screws (5).

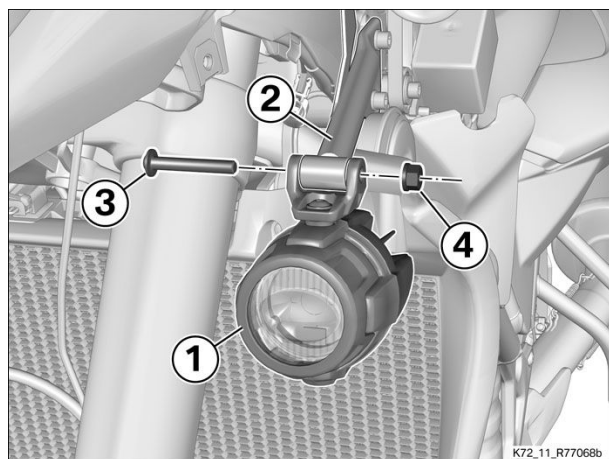


 Tightening torques		
Front panel carrier (side) to frame		
M6 x 55	8 Nm	

(-) Installing left LED auxiliary headlight

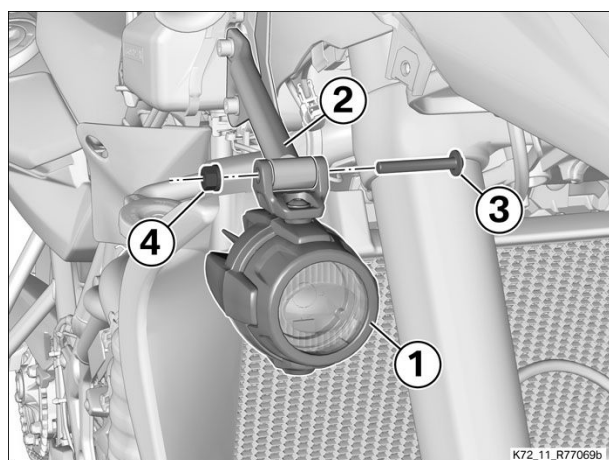
- Hold LED auxiliary headlight (1) in position at bracket (2).
- Insert screw (3) and install nut (4).

 Tightening torques		
Auxiliary headlight to bracket		
M6 x 40	6 Nm	



(-) Installing right LED auxiliary headlight

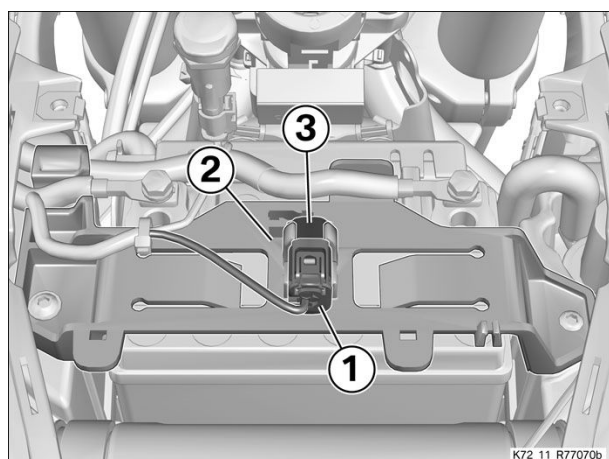
- Hold LED auxiliary headlight (1) in position at bracket (2).
- Insert screw (3) and install nut (4).



Tightening torques		
Auxiliary headlight to bracket		
M6 x 40	6 Nm	

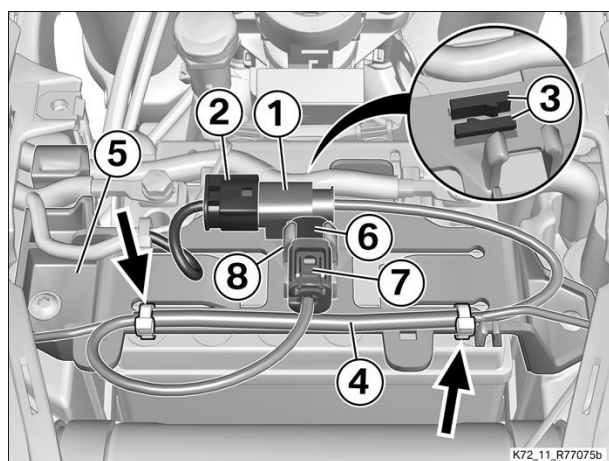
(-) Exposing plug for optional accessories

- Remove plug for optional accessories (1) from retainer (2), remove protective cap (3) and lay it safely aside (**subsequently needed for reassembly**).



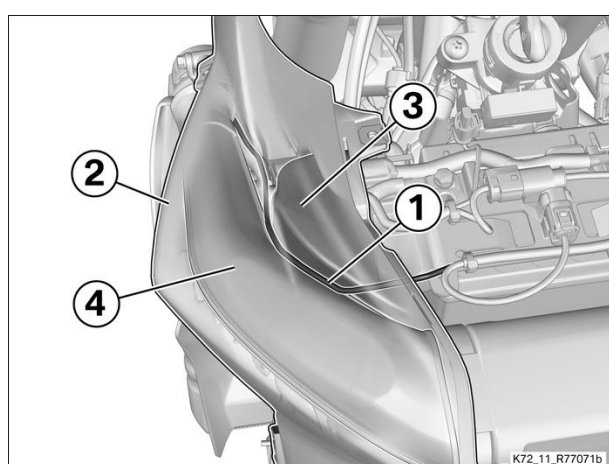
(-) Connecting connecting line for LED auxiliary headlight

- Connect plug of connecting line for LED auxiliary headlight (1) to plug for optional accessories (2).
- Seat plug assembly (1), (2) on holder (3).
- Route connecting line (4) to battery holder (5) and secure it with cable ties (arrows).
- Install protective cap (6) on plug of connecting line for optional accessories (7).
-

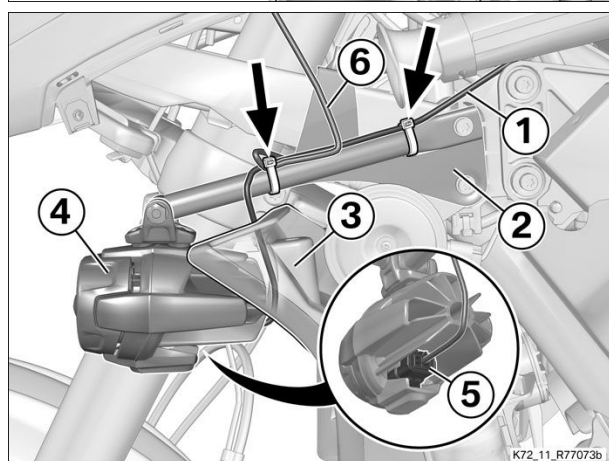


Clip plug of connecting line for optional accessories (7) into holder (8).

(-) Routing and connecting left connecting line for LED auxiliary headlight



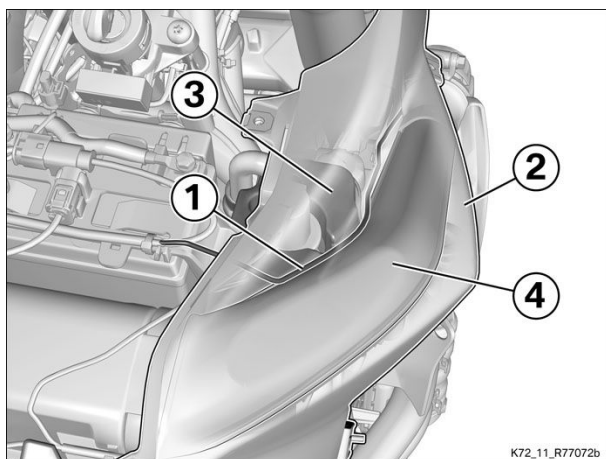
- Route connecting line (1) forward underneath top left side panel (2) between intake air silencer (3) and intake air pipe (4).



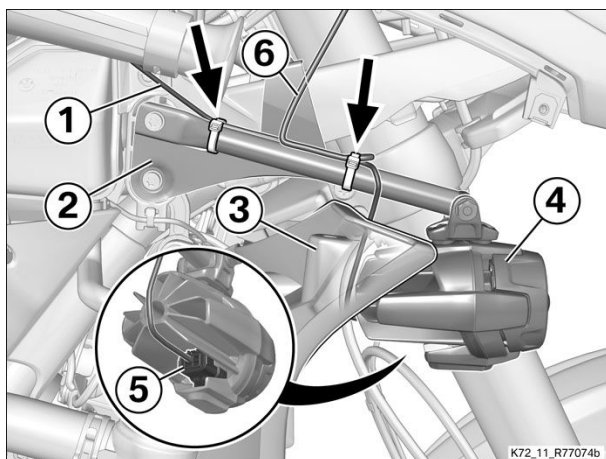
- Route connecting line (1) along bracket (2).
- Route connecting line (1) in front of radiator shroud (3) to LED auxiliary headlight (4).
- Connect plug (5) to LED auxiliary headlight (4).
- Secure connecting line (1) at the rear to bracket (2) with a cable tie (arrow).
- Secure connecting line for LED auxiliary headlight (1) and connecting line for flashing turn indicator (6) at the front to bracket (2) with a cable tie (arrow).

(-) Routing and connecting right connecting line for LED auxiliary headlight

- Route connecting line (1) forward underneath top right side panel (2) between intake air silencer (3) and intake air pipe (4).



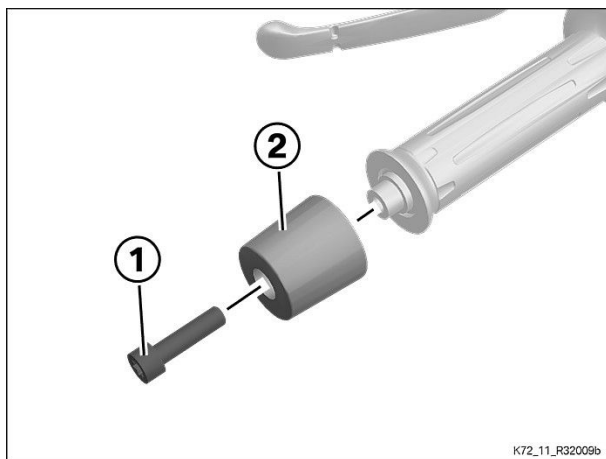
K72_11_R77072b



K72_11_R77074b

- Route connecting line (1) along bracket (2).
- Route connecting line (1) in front of radiator shroud (3) to LED auxiliary headlight (4).
- Connect plug (5) to LED auxiliary headlight (4).
- Secure connecting line (1) at the rear to bracket (2) with a cable tie (arrow).
- Secure connecting line for LED auxiliary headlight (1) and connecting line for flashing turn indicator (6) at the front to bracket (2) with a cable tie (arrow).

(-) Removing left handlebar weight

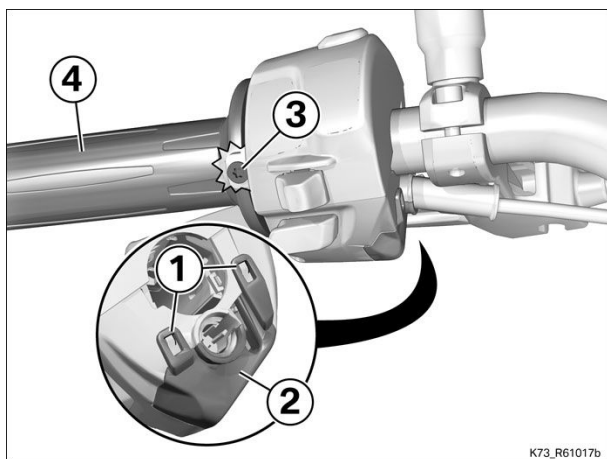


K72_11_R32009b

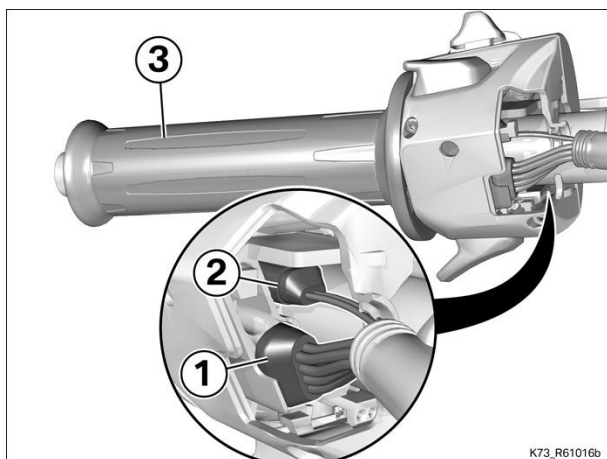
- Remove screw (1) and remove handlebar weight (2).

(-) Removing left grip unit

- Disengage retainer (1) and remove cover (2).
- Remove screw (3).
- Twist grip unit (4) forward.



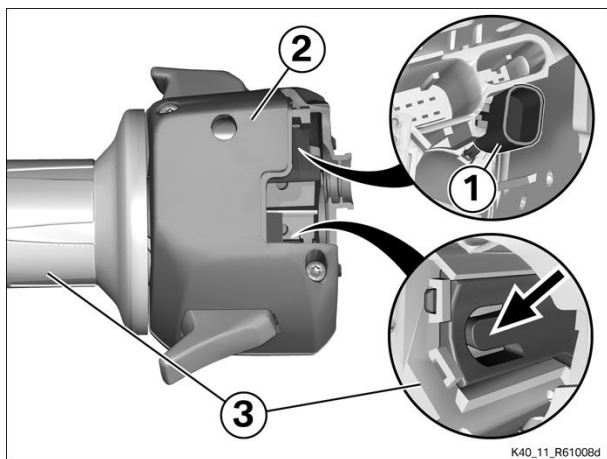
K73_R61017b



K73_R61016b

- Disconnect plugs (1) and (2).
- Remove grip unit (3) with multifunction switch from the handlebar.

(-) Removing left multifunction switch



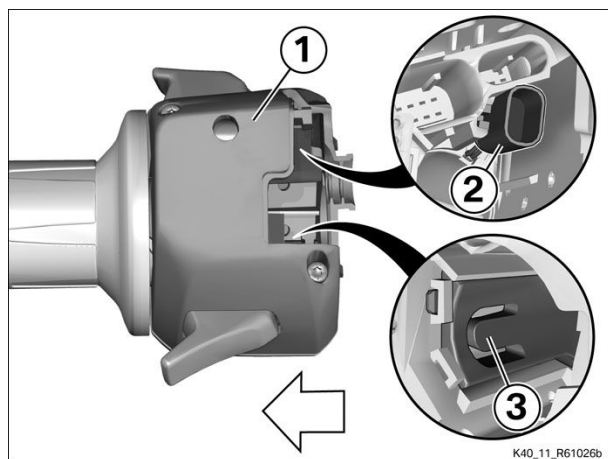
K40_11_R61008d

- Disengage plug (1) for the heated grip.
- Push up the retainer (arrow).
- Carefully remove multifunction switch (2) from grip (3).

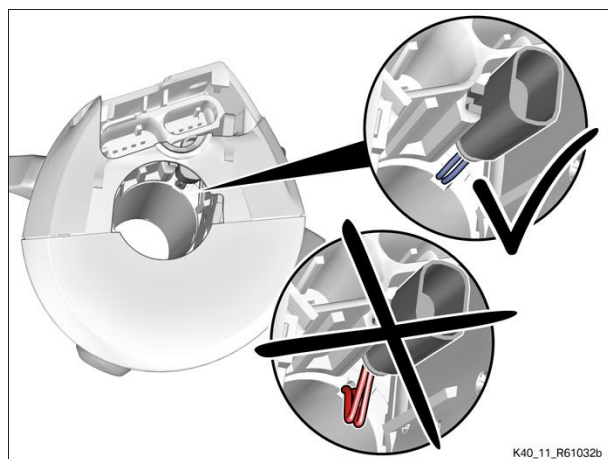
(-) Installing left multifunction switch

– with heated handlebar grips^{OE} (0519)

- Push multifunction switch (1) onto the grip and install plug (2) for the heated grip.
- » Retainer (3) engages.



K40_11_R61026b

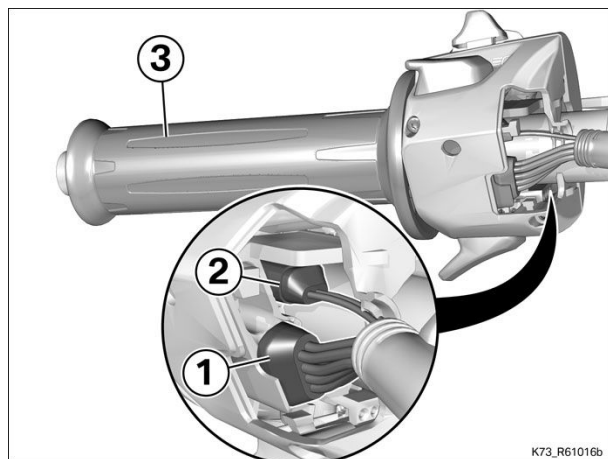


K40_11_R61032b

– with heated handlebar grips^{OE} (0519)

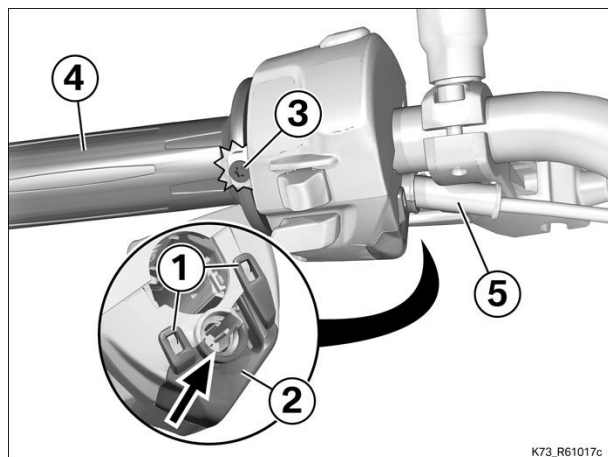
- Check that the grip-heating cable is correctly routed and does not project into the grip tube.

(-) Installing left grip unit



K73_R61016b

- Push grip unit (3) onto the handlebar. Make sure that the heated-grip cable is not pinched.
- Connect plugs (2) and (1).
- Make sure that the cables are not twisted and that the plugs are firmly connected.



K73_R61017c

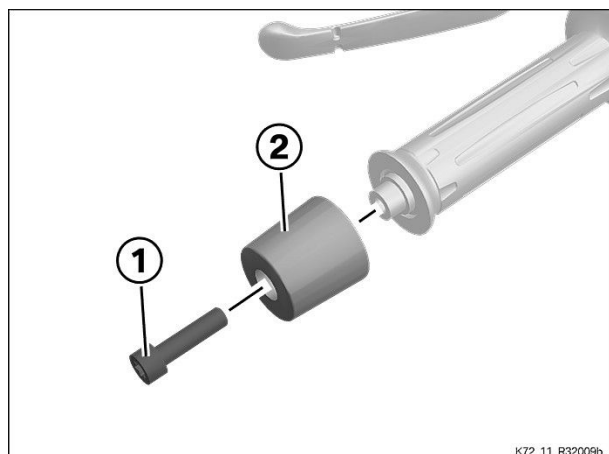
- Twist grip unit (4) back.
- Install screw (3).

Tightening torques		
Handlebar grip to handlebar		
M3.5 x 30	1 Nm	

- Install cover (2), making sure that the rubber grommet (5) is correctly positioned.
- » Rubber grommet (5) is located in the opening (arrow) and retaining clip (1) engages.

(-) Installing left handlebar weight

- Hold handlebar weight (2) in position and install screw (1).



Tightening torques		
Handlebar weight to handlebar		
M8 x 30	19 Nm	

Finishing work

Connecting **BMW Motorrad** diagnostic system to vehicle

Performing software update with **ISTA/P**

Disconnecting **BMW Motorrad** diagnostic system from vehicle

Adjusting LED auxiliary headlights

Installing left covers for intake air pipe

Installing right covers for intake air pipe

Installing centre trim panel

Installing seat

Final check of work performed