

THIS DOCUMENT CONTAINS PROPRIETARY INFORMATION AND IS THE PROPERTY OF OBSERVATION WINDOW CONTAINER CONTROLS, INC. SUCH INFORMATION SHALL NOT BE PUBLISHED, DISCLOSED TO OTHERS OR USED FOR ANY PURPOSE AND THE DOCUMENT SHALL NOT BE DUPLICATED IN WHOLE OR IN PART.

REVISIONS					
ZONE	LTR.	DESCRIPTION	DATE	APPROVED	
B.4	-	ADDED NOTE 4.	LH 6-29-92	6-29-92	ROC

NOTES UNLESS OTHERWISE SPECIFIED

1. SPECIFICATIONS:

1.1 THIS ASSEMBLY IS INTENDED FOR MOUNTING IN EITHER A FLEXIBLE BARRIER MATERIAL OR A RIGID WALL. WHEN MOUNTING IN A RIGID WALL, GASKET ADJACENT TO HEX NUT MAY BE DISCARDED AND HEX NUT REVERSED.

2. MATERIALS:

2.1 HOUSING, HEX NUT AND LOCKSCREW: ALUMINUM ALLOY.

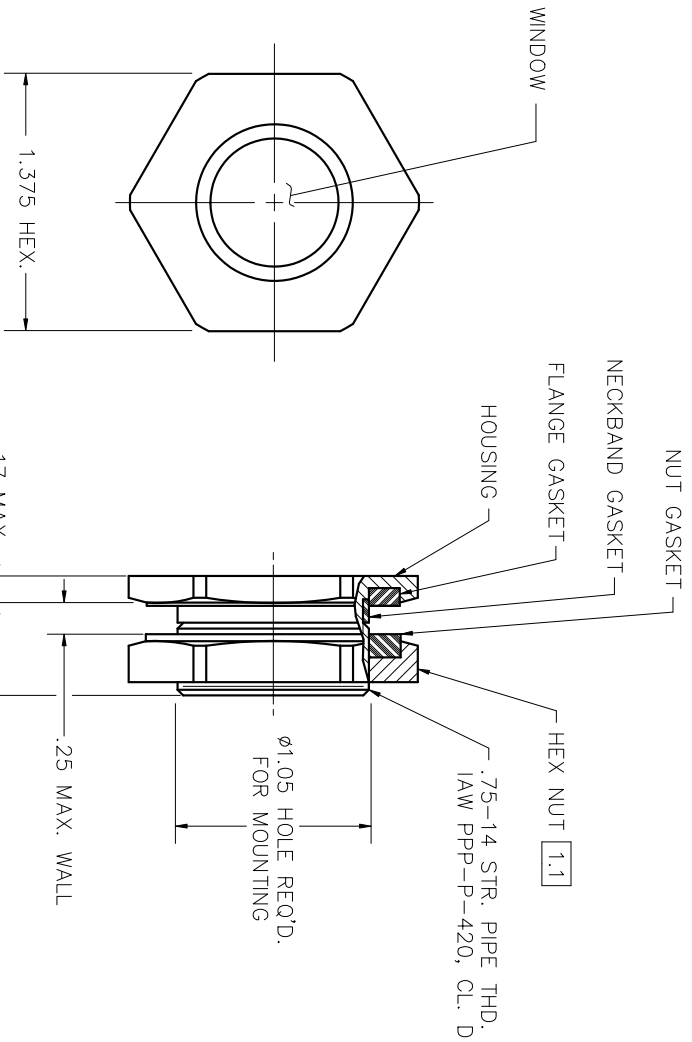
2.2 GASKETS: IAW MIL-R-6855, CLASS II, TYPE A OR B, GRADE 60.

2.3 WINDOW: PLEXIGLAS IAW MIL-P-5425.

3 FINISH: HOUSING, HEX NUT AND LOCKSCREW ANODIZED IAW MIL-A-8625, TYPE II, CLASS 1.

4. THE FOLLOWING ITEMS FURNISHED AS PART OF THIS ASSEMBLY MAY BE PURCHASED SEPARATELY:

- P/N 350051 FLANGE GASKET
- 350057 NECKBAND GASKET
- 356056-16 HEX NUT
- 356062 NUT GASKET



SPECIFICATION CONTROL DRAWING

gcm CONTAINER CONTROLS, INC.
 P.O. BOX 40020 - TUCSON, ARIZONA 85717-0020
OBSERVATION WINDOW

DRAWN J. BARNETT		DATE 7-11-89	CHECK K. BRADY		DATE 7-11-89	APPROVED B. CROWLEY		DATE 7-11-89
TOLERANCES UNLESS OTHERWISE SPECIFIED		DECIMALS XX ±.015		ANGLES .XXX ±.010		FINISH DO NOT SCALE DRAWING		
INTERPRET DIMENSIONS AND TOLERANCES IN ACCORDANCE WITH ASME Y14.5M-1982		UNLESS OTHERWISE SPECIFIED DIMENSIONS ARE IN INCHES		TOLERANCES: ANGLES ±5°		FINISH		
PART DASH NO.		NEXT FINAL		NEXT ASSY.		USED ON		
QTY. REQD. PER ASSY.		APPLICATION		SMALLER TO		LARGER TO		
				3				

SCALE	2/1	RELEASE DATE		SHEET	1 OF 1
SIZE	FSCM NO. 08992	DWG. NO.	TA456	REV	-