



# HSM 208F



Technik die Freude macht.



# Technical data 208F

## Brake:

- Brake with 2-circles, oil-cooled multiple-disc power-brake
- Spring accumulator – parking brake

## Steering:

- Articulated frame steering with 2 cylinders
- Steering angle 45°

## Cabin:

- Raisable to side on parallel linkages
- ROPS, FOPS, OPS tested
- Rotary seat with pedals in front and rear
- Wiper in front and rear, optional on the side
- Air cushioned seat with seat heating
- Hot-water heating
- Air conditioning

## Electrical system / Instruments:

- HSM Ecommand colour-display
- 5 operator programs + factory setting
- Diagnosis-tool and error-indication
- Graphic support at parameter editing
- Generator 110 A (28 V)
- 2 service-free dry batteries á 75 Ah

## Power train:

- NAF 2 speed transfer gearbox
- HSM High Speed Drive (serial 71); speed at 1st gear 0-14 km/h

## 208F 4 cylinder

### Engine (10 t):

- VOLVO PENTA  
TAD583VE EU Stage V  
Power: 175 kW (238 HP) at 1750 rpm  
max. revolution: 947 Nm at 1200 - 1750 rpm  
max. torque: 969 Nm at 1380 rpm  
Displacement: 5,13 liter

### Hydraulic system:

- Load sensing
- Variable pump (working pump):  
flow rate: 232 l/min at 1600 rpm  
pressure: up to max. 350 bar
- Hydraulic fluid: saturated, synthetic ester Panolin HLP SYNTH with Kleenoil microfiltration; WGK 1

### Tank capacity:

- Diesel: 170 l
- AdBlue: 25 l
- Hydraulic fluid: 130 l

## Standard equipment:

- 14 LED-working headlight at cabin
- 4 working headlights at crane
- Potential transformer 24 V - 12 V
- Radio with CD
- Fire extinguisher
- First aid kit
- Warning triangle
- Tool kit
- Cooling box
- Reversing camera with color monitor
- Rear headlights
- Twist lock with 2 hydraulic cylinders

## Special equipment:

- Front dozer-blade
- Tandem axle lift (Bogielift) front
- Turnable rung
- Last rung plugged
- Tilttable crane
- Quick-change system for rungs
- Clambunk
- Auxiliary heating
- Bogie-tracks
- Radio control for winch
- Drive by radio
- Sun blinds
- Pluggable front grid
- Cab suspension
- Other options on request

## 208F 6 cylinder

### Engine:

- VOLVO PENTA  
TAD881VE EU Stage V  
Power: 185 kW (252 HP) at 1600 rpm  
max. revolution: 1150 Nm at 1100 - 1500 rpm  
max. torque: 1175 Nm at 1400 rpm  
Displacement: 7,7 liter
- Optional:
- VOLVO PENTA  
TAD882VE EU Stage V  
Power: 210 kW (286 HP) at 1700 rpm  
max. revolution: 1225 Nm at 1100 - 1600 rpm  
max. torque: 1255 Nm at 1400 rpm  
Displacement: 7,7 liter

### Hydraulic system:

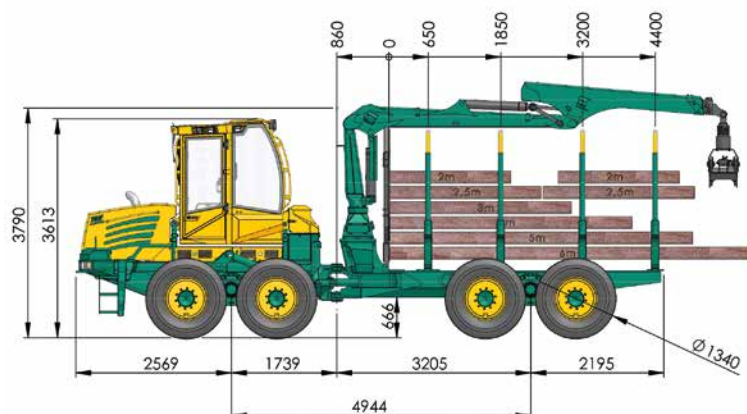
- Load sensing
- Variable pump (working pump):  
flow rate: 304 l/min at 1600 rpm  
pressure: up to max. 350 bar
- Hydraulic fluid: saturated, synthetic ester Panolin HLP SYNTH with Kleenoil microfiltration; WGK 1

### Tank capacity:

- Diesel: 11 t / 12 t 14 t
- AdBlue: 190 l 225 l
- Hydraulic fluid: 45 l 45 l
- Hydraulic fluid: 130 l 130 l

# 208F 10 t

4 cylinder



## Weight:

- from 16200 kg
- weight distribution: front axle: 60 %, rear axle: 40 %

## Tyres:

	Width:	Overall width:	Width for tracks:
• Serial:	710/45-26,5	2600 mm	2700 mm
• Optional:	600/55-26,5	2400 mm	2500 mm
	800/40-26,5	2700 mm	2800 mm
	870/40-26,5	2900 mm	3000 mm
	54x37-25	2900 mm	3000 mm

## Axles:

- NAF portal-bogie-axes
- Front: switchable differential lock 100 %
- Rear: switchable differential lock 100 %

## Crane:

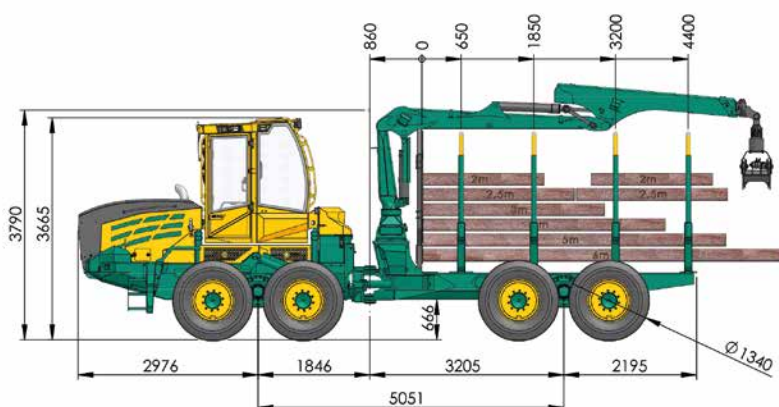
- Serial: - Epsilon M70 F80
- Other cranes behold crane-list

## Loading area:

- 4 rungs
- Length: 4400 mm
- Cross section: 4,0 m<sup>2</sup> / option 4,3 m<sup>2</sup>
- Load capacity: 10 t

# 208F 11 t

6 cylinder



## Weight:

- from 16500 kg
- weight distribution: front axle: 60 %, rear axle: 40 %

## Tyres:

	Width:	Overall width:	Width for tracks:
• Serial:	710/45-26,5	2600 mm	2700 mm
• Optional:	600/55-26,5	2400 mm	2500 mm
	800/40-26,5	2700 mm	2800 mm
	870/40-26,5	2900 mm	3000 mm
	54x37-25	2900 mm	3000 mm

## Axles:

- NAF portal-bogie-axes
- Front: switchable differential lock 100 %
- Rear: switchable differential lock 100 %

## Crane:

- Serial: - Epsilon M70 F80
- Other cranes behold crane-list

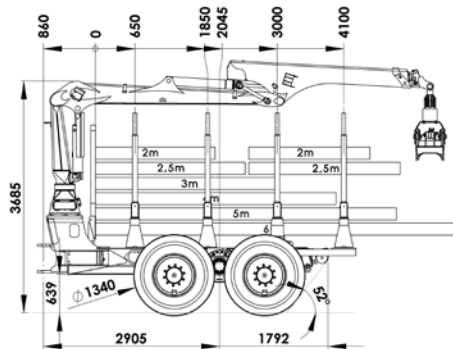
## Loading area:

- 4 rungs
- Length: 4400 mm
- Cross section: 4,0 m<sup>2</sup> / option 4,3 m<sup>2</sup>
- Load capacity: 11 t



## 11 t rear frame short

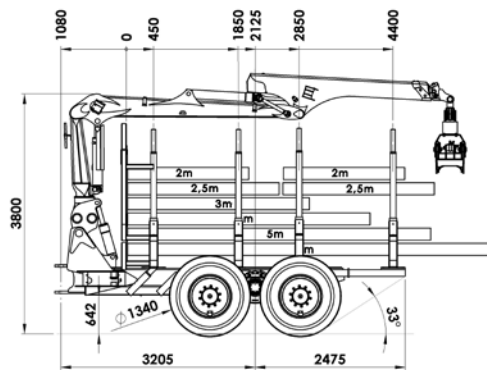
(300 mm short wheelbase)



### Diagrammed:

- 4th rung pluggable
- Single drum-rearwinch
- 3rd rung turnable

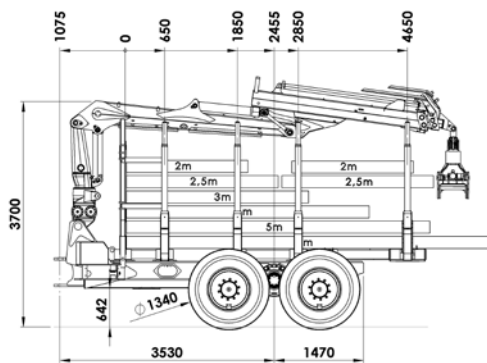
## 11 t rear frame with tilt-crane



### Diagrammed:

- Crane tiltable with angle  $-5^\circ / +26^\circ$
- Grid displaceable and demountable
- Quick-change plate
- 4th rung pluggable

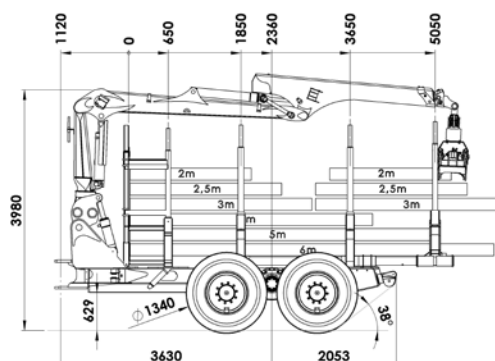
## 12 t rear frame with tilt-crane



### Diagrammed:

- Crane tiltable with angle  $-5^\circ / +26^\circ$
- Grid hydraulic moveable
- Rungs relocatable
- Turnable last rung

## 14 t rear frame with tilt-crane



### Diagrammed:

- Crane tiltable with angle  $-5^\circ / +26^\circ$
- Grid displaceable and demountable
- Single drum-rearwinch 10 to
- Rungs relocatable
- 4th rung pluggable

### Special equipment:

- Grid, high adjustable
- Rungs telescopic (width)
- Clambunk with quick-change system
- Moveable rungs
- Single drum-rearwinch
- Turnable rung
- Grid pluggable
- 4th rung pluggable
- Other options on request

# HSM Crane-list

X = available against surcharge    O = standard equipment    # = not available

	Crane typ	Lifting moment	Range	Gripper type	208F	208F	208F	208F	208F 14 to
					10 t / 11 t	12 t	14 t	20 t	Steilhang
EPSILON	C60 F69	82/63 kNm	6,9 m	FG43S	#	#	#	#	#
	C60 F86	82/51 kNm	8,6 m	FG43S	#	#	#	#	#
	M70 F80	102/68 kNm	8,0 m	FG43S	O	O	O	O	#
	M70 F86	102/68 kNm	8,6 m	FG43S	X	X	X	X	#
	M70 F101	102/65 kNm	10,1 m	FG43S	X	X	X	X	#
	M80 F80	114/79 kNm	8,0 m	FG43S	X	X	X	X	#
	M80 F86	114/79 kNm	8,6 m	FG43S	X	X	X	X	#
	M80 F101	114/75 kNm	10,1 m	FG43S	X	X	X	X	#
	S100 F80	128/91 kNm	8,0 m	FG43S	X	X	X	X	O
	S100 F86	128/90 kNm	8,6 m	FG43S	X	X	X	X	X
	S100 F101	128/86 kNm	10,1 m	FG43S	X	X	X	X	X
	S110 F80	143/104 kNm	8,0 m	FG43S	X	X	X	X	X
	S110 F86	143/104 kNm	8,6 m	FG43S	X	X	X	X	X
	S110 F101	143/100 kNm	10,1 m	FG43S	X	X	X	X	X
	X120 F80	159/111 kNm	8,0 m	FG43S	#	X	X	X	#
	X120 F86	159/110 kNm	8,6 m	FG43S	#	X	X	X	#
	X120 F102	159/107 kNm	10,2 m	FG43S	#	X	X	X	#
	X140 F80	173/123 kNm	8,0 m	FG43S	#	#	X	X	#
	X140 F86	173/122 kNm	8,6 m	FG43S	#	#	X	X	#
	X140 F102	173/119 kNm	10,2 m	FG43S	#	#	X	X	#
Low crane column (height 1730 mm) series at steep slope and Kombi					X	X	X	X	O
Mesera	F59 F72	78/56 kNm	7,2 m	FG43S	#	#	#	#	#
	F59 FT85	78/51 kNm	8,5 m	FG43S	#	#	#	#	#
	F59 FT100	78/47 kNm	10,0 m	FG43S	#	#	#	#	#
	F59 FT100i	78/47 kNm	10,0 m	FG43S	#	#	#	#	#
	F71 F72	99/75 kNm	7,2 m	FG43S	X	X	X	X	#
	F71 FT85	99/70 kNm	8,5 m	FG43S	X	X	X	X	#
	F71 FT100	99/66 kNm	10,0 m	FG43S	X	X	X	X	#
	F71 FT100i	99/66 kNm	10,0 m	FG43S	X	X	X	X	#
	F83 F72	106/82 kNm	7,2 m	FG43S	X	X	X	X	#
	F83 FT85	106/76 kNm	8,5 m	FG43S	X	X	X	X	#
	F83 FT100i	106/73 kNm	10,0 m	FG43S	X	X	X	X	#
	M 92 F80i	130/84 kNm	8,0 m	FG43S	X	X	X	X	X
	M 92 FT86i	130/84 kNm	8,6 m	FG43S	X	X	X	X	X
	M 92 FT100i	130/84 kNm	10,0 m	FG43S	X	X	X	X	X
	F111 F72	151/111 kNm	7,2 m	FG43S	#	X	X	X	#
	F111 F85	151/100 kNm	8,5 m	FG43S	#	X	X	X	#
	F111 FT85	151/100 kNm	8,5 m	FG43S	#	X	X	X	#
	F111 FT91	151/98 kNm	9,1 m	FG43S	#	X	X	X	#
	F111 FT100	151/101 kNm	10,0 m	FG43S	#	X	X	X	#
	M122 F85i	155/110 kNm	8,5 m	FG43S	#	X	X	X	#
	M122 F96i	155/ - kNm	9,6 m	FG43S	#	X	X	X	#
	M122 FT100i	155/ - kNm	10,0 m	FG43S	#	X	X	X	#
	M142 F85i	178/132 kNm	8,5 m	FG43S	#	X	X	X	#
	M142 F96i	178/124 kNm	9,6 m	FG43S	#	X	X	X	#
	M142 FT100i	178/ - kNm	10,0 m	FG43S	#	X	X	X	#

HSM Hohenloher Spezial-  
Maschinenbau GmbH & Co. KG

Technik die Freude macht.

D-74635 Neu-Kupfer  
Im Greut 10  
Tel. + 49 (0) 7944 / 9191-0  
Fax + 49 (0) 7944 / 9191-77  
Mail: [info@hsm-forest.com](mailto:info@hsm-forest.com)  
[www.hsm-forest.com](http://www.hsm-forest.com)

