

## Cutting Unit Wear Part Kit 100

Tolerans is the world leader in in-line stitching. Renowned for high quality products and innovative solutions, we are dedicated to ensure you a worry-free stitching process. By using Tolerans Original Wear and Spare Parts you will gain an improved production safety and an optimum performance, ensuring a reliable stitching solution for many years to come.

Tolerans Wear Part Kits are available for our complete range of SPEEDLINER® stitchers, and are designed to be replaced at certain interval points. For SPEEDLINER 2.0 stitchers, please see separate 2.0 Wear Part Kits.

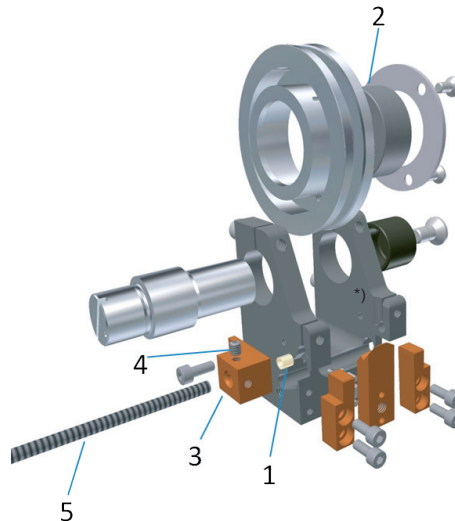
The Wear Part Kits enable quicker replacements with less downtime, and where applicable, all mechanical settings are pre-set when delivered. Instructions for assembly is found in original manual or maintenance instruction movies at [www.tolerans.com](http://www.tolerans.com).

### CUTTING UNIT KIT 100

To be replaced every 100 million copies.

Consists of:

1. Hole knife
2. Bearing
3. Wire Guide
4. Screw M4x5
5. Flexible metal tube



### DELIVERY TIME

Estimate 5-10 working days

### TOLERANS ORIGINAL WEAR PART KITS

- Stitching Cylinder
- Cutting Unit
- Feedingbox
- Wire Infeeder
- DrumTop

### FOR WEAR AND SPARE PART INQUIRIES

Please contact:  
[spares@tolerans.com](mailto:spares@tolerans.com)  
 or call: +46 8 586 116 10

When ordering Cutting Unit Kit 100, please view below list for correct part number. (For SPEEDLINER 2.0, view separate sheet.)

Stitching points	Staple size (mm)	Part no
2	12	01-001269
2	12	01-001532 *)
2	14-16	01-001231
3	12	01-001270
3	14-16	01-001232
4	12	01-001271
4	14-16	01-001233

\*) for certain customers only