

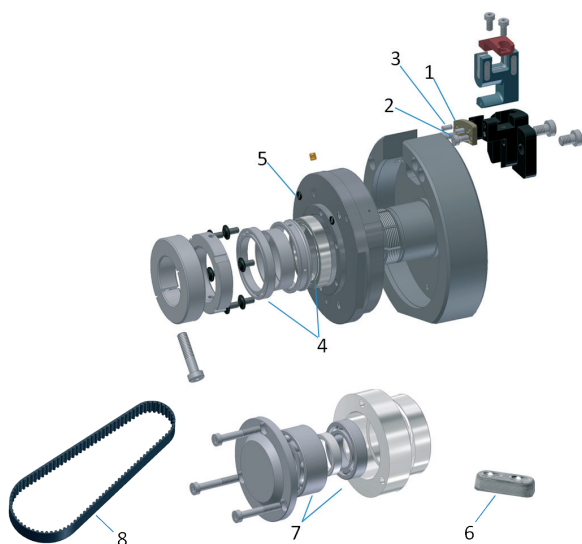
SPEEDLINER® 2.0

Stitching Cylinder Wear Part Kit 300

Tolerans is the world leader in in-line stitching. Renowned for high quality products and innovative solutions, we are dedicated to ensure you a worry-free stitching process. By using Tolerans Original Wear and Spare Parts you will gain an improved production safety and an optimum performance, ensuring a reliable stitching solution for many years to come.

Tolerans Wear Part Kits are available for our complete range of SPEEDLINER® stitchers, and are designed to be replaced at certain interval points.

The Wear Part Kits enable quicker replacements with less downtime, and where applicable, all mechanical settings are pre-set when delivered. Instructions for assembly is found in original manual or maintenance instruction movies at www.tolerans.com.



STITCHING CYLINDER KIT 300

To be replaced every 300 million copies.

Consists of:

1. Side plate
2. Screw M5x10
3. Pin 4m6x8
4. Bearings
5. O-Ring 4,1x1,6
6. Dies
7. Frame bearings
8. Drive belt (if applicable)

When ordering Stitching Cylinder Kit 300 for SPEEDLINER 2.0, please contact Tolerans for correct part number.

DELIVERY TIME

Estimate 5-10 working days

TOLERANS ORIGINAL WEAR PART KITS

- Stitching Cylinder
- Cutting Unit
- Feedingbox
- Wire infeder
- DrumTop

FOR WEAR AND SPARE PART INQUIRIES

Please contact:
spares@tolerans.com
or call: +46 8 586 116 10