

SPEEDLINER® 2.0 Cutting Unit Wear Part Kit 200

Tolerans is the world leader in in-line stitching. Renowned for high quality products and innovative solutions, we are dedicated to ensure you a worry-free stitching process. By using Tolerans Original Wear and Spare Parts you will gain an improved production safety and an optimum performance, ensuring a reliable stitching solution for many years to come.

Tolerans Wear Part Kits are available for our complete range of SPEEDLINER® stitchers, and are designed to be replaced at certain interval points.

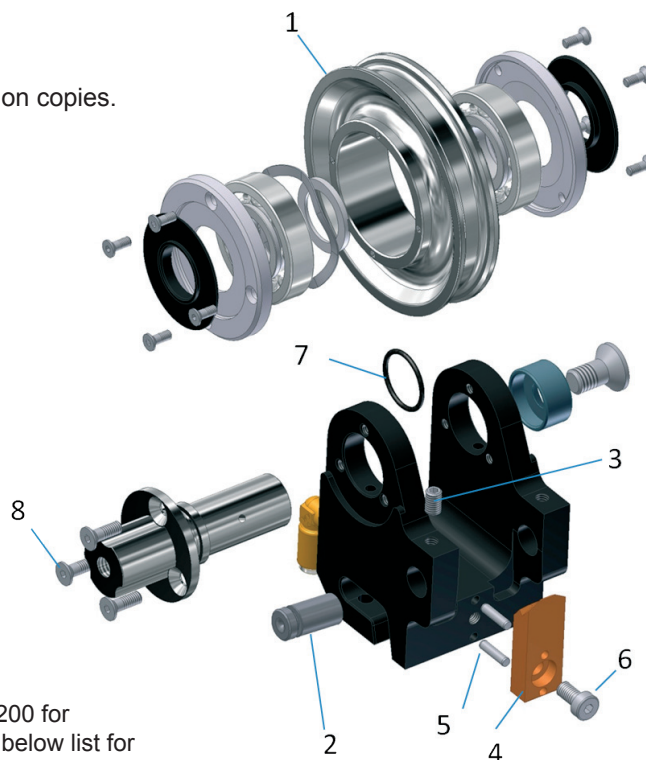
The Wear Part Kits enable quicker replacements with less downtime, and where applicable, all mechanical settings are pre-set when delivered. Instructions for assembly is found in original manual or maintenance instruction movies at www.tolerans.com.

CUTTING UNIT KIT 200

To be replaced every 200 million copies.

Consists of:

1. Former wheel
2. Hole Knife
3. Screw M5x8
4. Guide
5. Pin 3m6x12
6. Screw M5x10
7. O-ring 17,1x1,6
8. Screw M4x12



DELIVERY TIME

Estimate 5-10 working days

TOLERANS ORIGINAL WEAR PART KITS

- Stitching Cylinder
- Cutting Unit
- Feedingbox
- Wire Infeeder
- DrumTop

FOR WEAR AND SPARE PART INQUIRIES

Please contact:
spares@tolerans.com
or call: +46 8 586 116 10

When ordering Cutting Unit Kit 200 for SPEEDLINER 2.0, please view below list for correct part number.

Stitching points	Staple size (mm)	Part no
2	14	01-001771
2	16	01-001774
3	14	01-001772
3	16	01-001775
4	14	01-001773
4	16	01-001776