

## SPEEDLINER® 2.0 Cutting Unit Wear Part Kit 100

Tolerans is the world leader in in-line stitching. Renowned for high quality products and innovative solutions, we are dedicated to ensure you a worry-free stitching process. By using Tolerans Original Wear and Spare Parts you will gain an improved production safety and an optimum performance, ensuring a reliable stitching solution for many years to come.

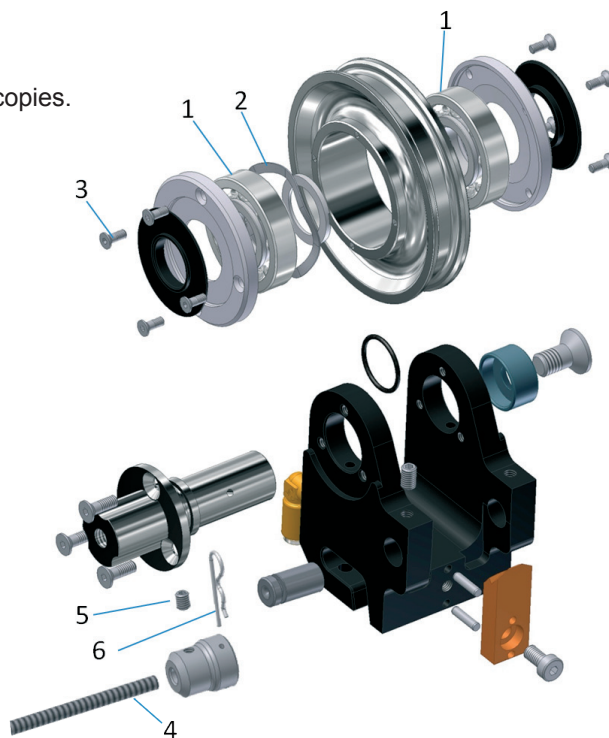
Tolerans Wear Part Kits are available for our complete range of SPEEDLINER® stitchers, and are designed to be replaced at certain interval points.

The Wear Part Kits enable quicker replacements with less downtime, and where applicable, all mechanical settings are pre-set when delivered. Instructions for assembly is found in original manual or maintenance instruction movies at [www.tolerans.com](http://www.tolerans.com).

### CUTTING UNIT KIT 100

To be replaced every 100 million copies.  
Consists of:

1. Bearing
2. Wave Spring Washer
3. Screw M3x8
4. Flexible metal tube
5. Screw M4x5
6. Locking Pin



### DELIVERY TIME

Estimate 5-10 working days

### TOLERANS ORIGINAL WEAR PART KITS

- Stitching Cylinder
- Cutting Unit
- Feedingbox
- Wire Infeeder
- DrumTop

### FOR WEAR AND SPARE PART INQUIRIES

Please contact:  
[spares@tolerans.com](mailto:spares@tolerans.com)  
or call: +46 8 586 116 10

When ordering Cutting Unit Kit 100 for SPEEDLINER 2.0, please view below list for correct part number.

Stitching points	Staple size (mm)	Part no
2	14-16	01-001768
3	14-16	01-001769
4	14-16	01-001770