

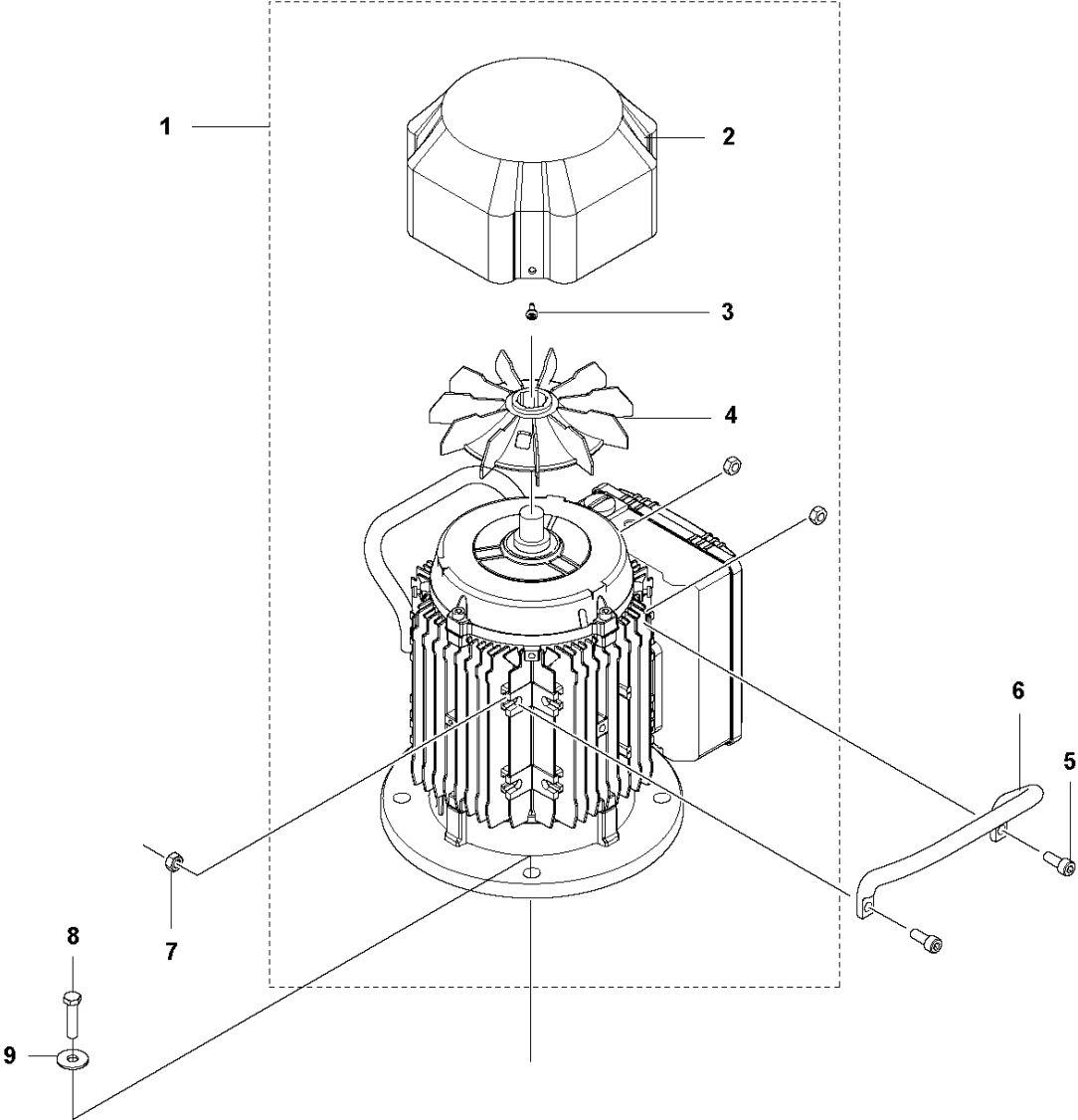


# SPARE PARTS LIST

SURFACE PREPARATION EQUIPMENT

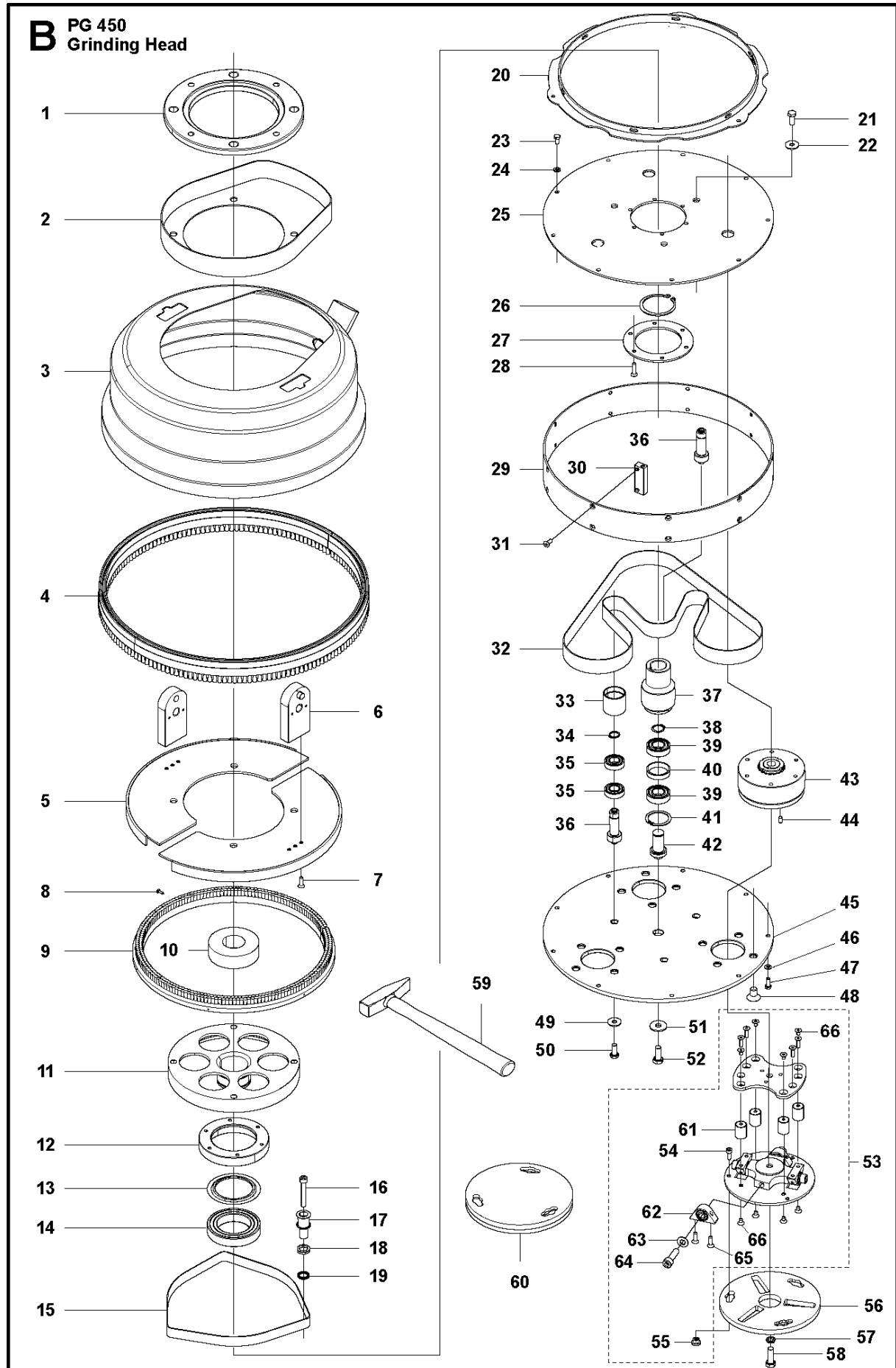
PG 450, 2018-02

**A** PG 450  
Motor 1-Phase



Ref	Part No	Description	Remark	QTY KIT	
1	585 19 19-01	MOTOR	2,2kw, 230V, 50Hz	1	
1	585 19 19-02	MOTOR	2,2kw, 230V, 60Hz	1	
1	585 19 22-01	MOTOR	1,5kw, 110V, 50Hz	1	
1	585 19 21-01	MOTOR	1,5kw, 110V, 60Hz	1	
2	587 17 46-01	FAN COVER		1	1
3	724 13 23-01	SCREW CRPANM		4	1
4	587 17 47-01	FAN		1	1
5	725 54 51-01	SCREW IHSCM		4	
6	585 42 33-03	HANDLE		2	
7	731 23 18-01	HEXAGON NUT		4	
8	725 25 42-71	SCREW EHHM		4	
9	734 11 78-01	WASHER		4	

**B** PG 450  
Grinding Head

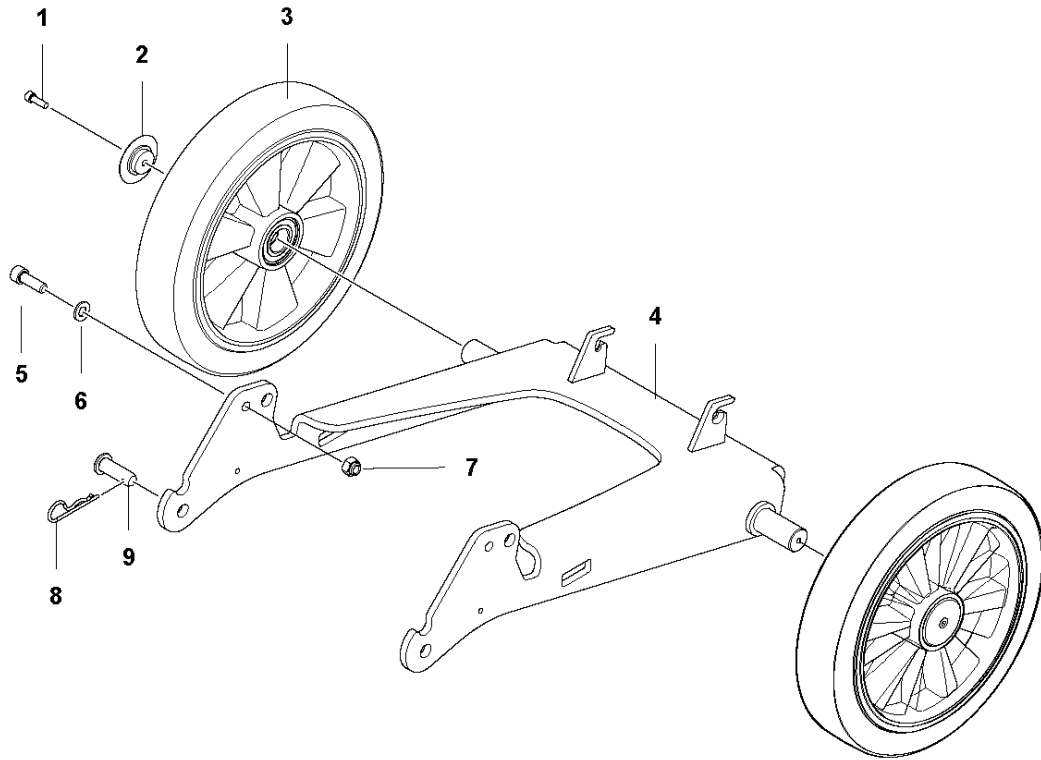


## GRINDING HEAD

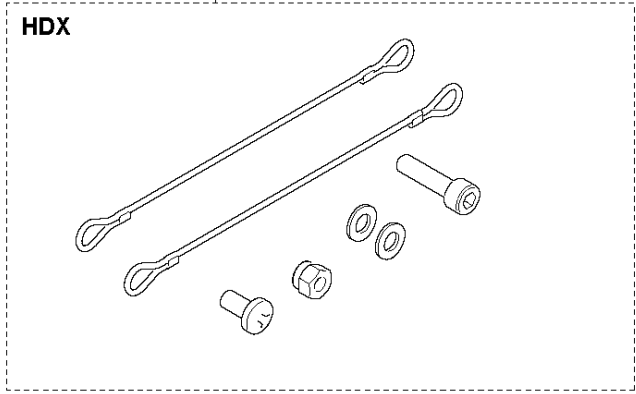
PG 450, 2018-02

Ref	Part No	Description	Remark	QTY	KIT
1	585 08 33-02	SPACER		1	
2	584 85 10-01	GUIDE		1	
3	585 08 34-01	DUST COVER		1	
4	585 13 84-05	BRUSH		1	
5	586 85 24-01	MOUNTING PLATE		2	
6	585 54 03-01	BRACKET		2	
6	585 54 03-02	BRACKET	HDX variant only	2	
7	725 63 70-51	SCREW IHCSFM		6	
8	729 52 81-01	SCREW CRPANT		7	
9	584 83 27-02	BRUSH		1	
10	585 41 78-01	SEAL		1	
11	584 82 95-01	PLATE		1	
12	584 82 91-01	HOUSING		1	
13	584 82 92-01	SEAL		1	
14	502 56 26-01	BALL BEARING		1	
15	584 82 98-01	BELT		1	
16	725 24 62-51	SCREW EHHM		3	
17	584 83 94-01	SHAFT		3	
18	740 68 11-21	V-RING		3	
19	584 82 84-01	RADIAL SEAL		3	
20	584 83 24-01	COVER		1	
21	725 24 51-71	SCREW EHHM		3	
22	734 11 65-41	WASHER		3	
23	725 23 68-71	SCREW EHHM		9	
24	734 11 52-01	WASHER		9	
25	584 82 83-01	LID		1	
26	502 53 96-01	CIRCLIP		1	
27	584 82 94-01	COVER		1	
28	725 63 72-51	SCREW IHCSFM		6	
29	584 83 81-01	COVER		1	
30	584 83 79-01	BOSS		9	
31	725 63 68-51	SCREW IHCSFM		18	
32	584 83 16-01	BELT		1	
33	584 82 87-01	PULLEY		2	
34	735 31 19-00	CIRCLIP		2	
35	584 82 88-01	BALL BEARING		4	
36	584 82 86-01	SHAFT		3	
37	584 83 06-01	PULLEY		1	
38	735 31 22-01	CIRCLIP		1	
39	584 83 04-01	BALL BEARING		2	
40	584 83 05-01	SPACER		1	
41	735 31 38-10	CIRCLIP		1	
42	584 83 02-01	SHAFT		1	
43	584 83 07-01	PULLEY ASSY		3	
44	720 13 49-51	PARALLEL PIN		9	
45	584 83 17-01	LID		1	
46	734 11 52-01	WASHER		9	
47	725 23 68-71	SCREW EHHM		9	
48	584 83 23-01	SCREW IHCSFM		12	
49	734 11 65-41	WASHER		3	
50	725 24 51-71	SCREW EHHM		3	
51	734 11 74-41	WASHER		1	
52	725 24 93-71	SCREW EHHM		1	
53	584 81 57-01	HOLDER ASSY		3	
54	725 53 68-51	SCREW IHSCM		9	53
55	587 45 14-01	LOCK		9	53
56	584 85 02-01	HOLDER		3	
57	735 11 73-01	SPRING WASHER		3	
58	725 54 95-01	SCREW IHSCM		3	
59	522 03 97-01	HAMMER		1	
60	587 41 02-02	HOLDER		3	
61	584 81 61-01	ABSORBER		1	53
62	584 81 64-01	CONNECTION		12	53
63	734 11 72-01	WASHER		12	53
64	725 54 97-01	SCREW IHSCM		12	53
65	725 63 70-51	SCREW IHCSFM		12	53
66	725 63 64-51	SCREW IHCSFM		21	53

**C** PG 450  
Chassi

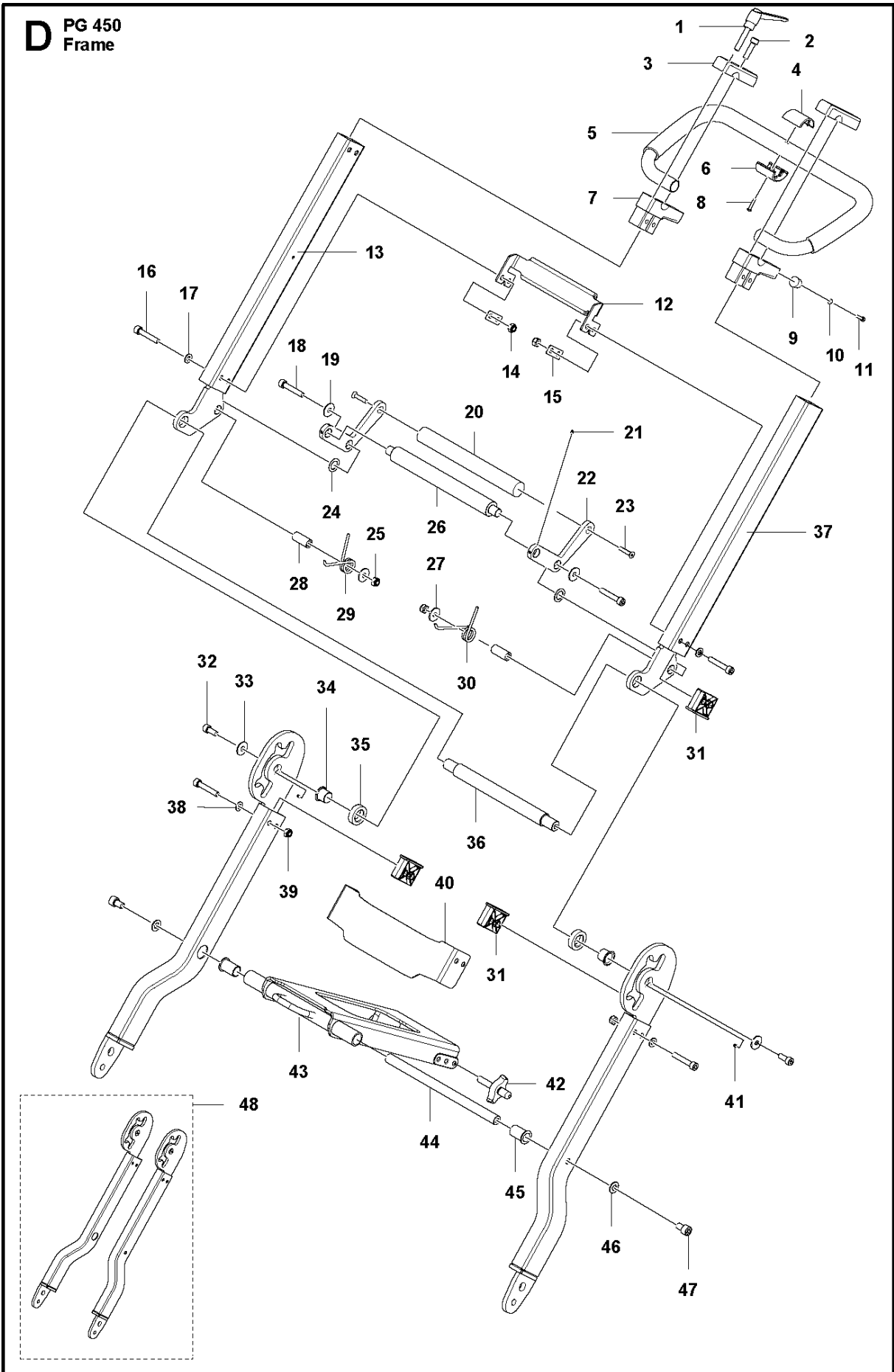


10



Ref	Part No	Description	Remark	QTY KIT
1	725 53 68-51	SCREW IHSCM		2
2	575 39 51-01	WASHER		2
3	502 54 50-01	WHEEL		2
4	585 10 91-01	CHASSIS		1
5	725 54 95-01	SCREW IHSCM		2
6	734 11 72-01	WASHER		2
7	732 25 20-01	HEXAGON LOCKING NUT		2
8	721 68 02-51	SPRING COTTER		2
9	721 85 68-01	CLEVIS PIN		2
9	585 51 91-03	CLEVIS PIN	HDX variant only	2
10	590 54 00-01	WIRE		1

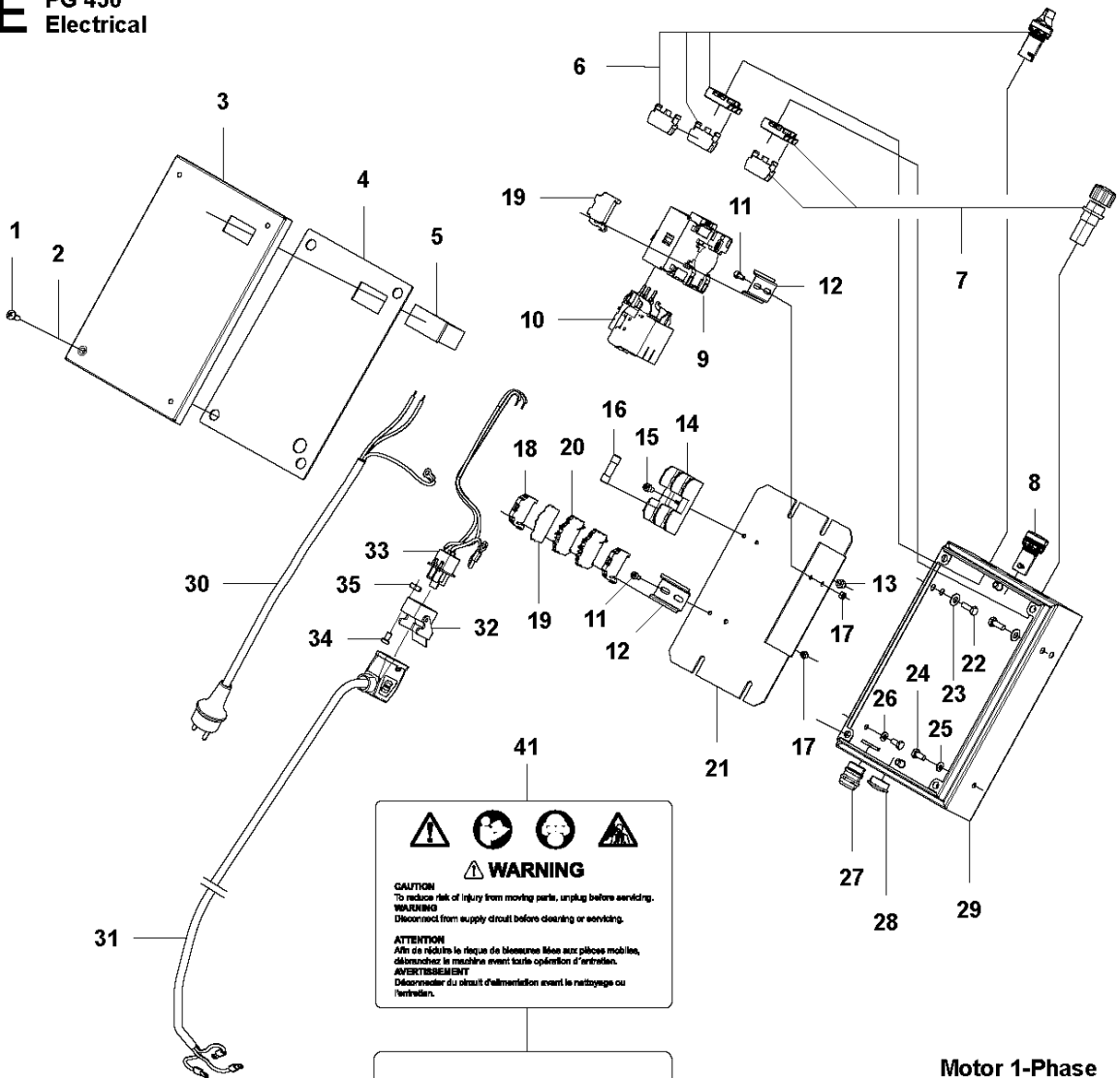
**D** PG 450  
Frame





Ref	Part No	Description	Remark	QTY KIT
1	585 12 92-01	LOCKING HANDLE		2
2	725 54 55-21	SCREW IHSCM		2
3	585 51 66-01	BRACKET		2
4	587 15 85-01	COVER		1
5	585 14 40-01	HANDLE		1
6	587 15 86-01	COVER		1
7	585 51 67-01	BRACKET		2
8	729 52 61-71	SCREW CRPANT		1
9	585 51 68-01	RUBBER SHOE		2
10	734 11 36-01	WASHER		2
11	725 52 95-01	SCREW IHSCM		2
12	585 38 28-01	BRACKET		1
13	585 57 35-09	FORK		1
14	732 21 18-01	LOCK NUT		8
15	585 38 31-01	WASHER		2
16	725 54 60-01	SCREW IHSCM		8
17	725 54 60-01	SCREW IHSCM		8
18	725 54 61-01	SCREW IHSCM		2
19	734 11 65-41	WASHER		4
20	585 13 37-01	HANDLE		1
21	728 82 85-01	SCREW IHSETM		6
22	585 13 33-01	PLATE		2
23	725 63 74-51	SCREW		2
24	585 41 62-01	WASHER		2
25	732 21 18-01	LOCK NUT		2
26	585 13 38-01	ROD		1
27	734 11 65-41	WASHER		4
28	585 38 33-02	SLEEVE		2
29	585 41 73-01	SPRING		1
30	585 41 61-01	SPRING		1
31	585 13 29-01	SPACER		4
32	725 54 51-01	SCREW IHSCM		2
33	734 11 65-41	WASHER		2
34	585 41 60-01	BUSH		2
35	585 13 35-01	SPACER		2
36	585 13 36-01	TUBE		1
37	585 57 35-10	FORK		8
38	725 54 60-01	SCREW IHSCM		8
39	585 38 31-01	WASHER		2
40	585 38 30-01	BRACKET		1
41	728 82 85-01	SCREW IHSETM		6
42	590 47 22-01	WING KNOB		2
43	585 10 97-02	SUPPORT		1
44	585 12 90-02	TUBE		1
45	585 12 91-01	BUSH		2
46	734 11 72-01	WASHER		2
47	725 54 91-01	SCREW IHSCM		2
48	593 89 71-03	FRAME TUBE		1

**E** PG 450  
Electrical

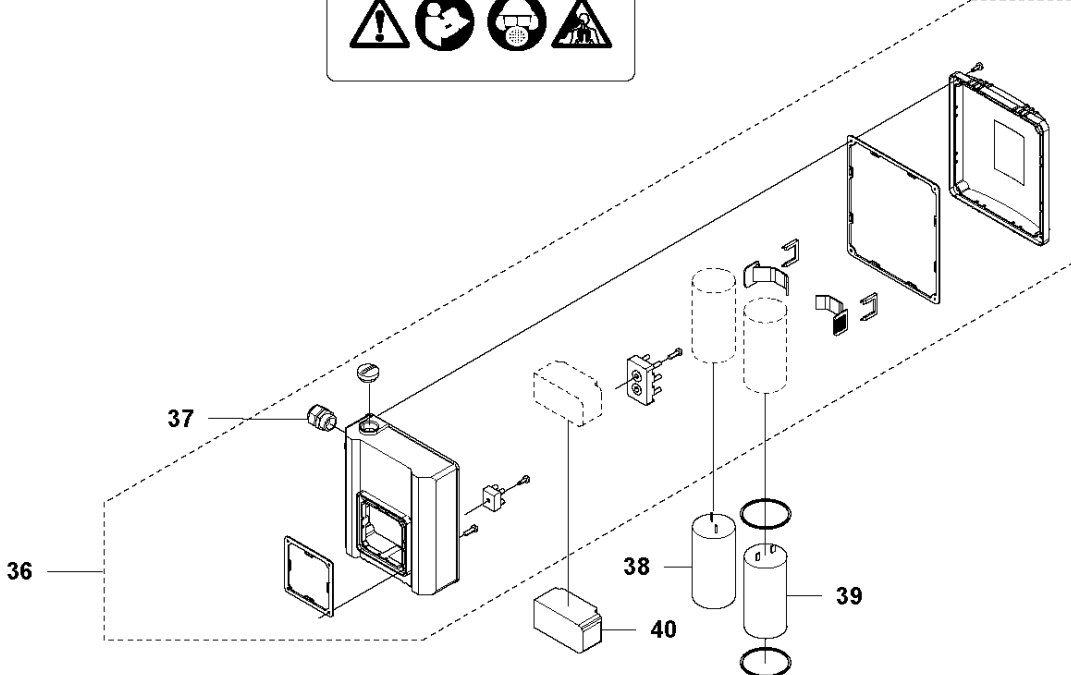


**WARNING**

**CAUTION**  
To reduce risk of injury from moving parts, unplug before servicing.  
**NEVER**  
Disconnect from supply circuit before cleaning or servicing.

**ATTENTION**  
Afin de réduire le risque de blessures liées aux pièces mobiles,  
débranchez la machine avant toute opération d'entretien.  
**AVERTISSEMENT**  
Déconnecter du circuit d'alimentation avant le nettoyage ou l'entretien.

**Motor 1-Phase**



Ref	Part No	Description	Remark	QTY	KIT
1	724 13 68-51	SCREW CRPANM		4	
2	521 88 66-01	RIVET		4	
3	586 47 43-01	LID		1	
3	586 47 43-03	LID	HDX version only	1	
4	586 46 70-02	SEALING		1	
5	584 29 63-01	HOUR METER		1	
6	586 99 15-01	SWITCH KIT		1	
7	586 99 16-01	SWITCH KIT		1	
8	584 29 71-01	LAMP	230V	1	
8	584 29 71-02	LAMP	110V	1	
9	585 36 58-01	CONTACTOR	200-230V, 50/60Hz	1	
9	585 36 58-02	CONTACTOR	100-120V, 60Hz	1	
9	586 99 18-01	CONTACTOR	100-120V, 50Hz	1	
10	584 29 78-01	RELAY	220-240V, 60Hz	1	
10	580 62 35-02	PROTECTION	220-240V, 50Hz	1	
10	580 62 35-01	PROTECTION	100-120V, 60Hz	1	
10	584 29 78-05	RELAY	100-120V, 50Hz	1	
11	725 53 25-01	SCREW IHSCM		4	
12	522 74 70-01	RAIL		2	
13	731 23 16-01	HEXAGON NUT		1	
14	525 88 26-01	FUSE HOLDER		1	
15	725 53 64-55	SCREW IHSCM		1	
16	525 63 81-01	FUSE		2	
17	732 25 14-01	HEXAGON LOCKING NUT		4	
18	585 36 61-05	TERMINAL BLOCK		3	
19	585 36 61-03	TERMINAL BLOCK		1	
19	585 36 61-07	TERMINAL BLOCK	US 100-120V	1	
20	585 61 35-01	TERMINAL BLOCK		1	
20	585 36 61-01	TERMINAL BLOCK	US 120V	1	
21	590 07 58-01	MOUNTING PLATE		1	
22	725 24 51-71	SCREW EHHM		4	
23	734 11 63-01	WASHER		4	
24	725 23 66-51	HEXAGONAL SCREW M6X12		2	
25	734 11 52-01	WASHER		1	
26	735 21 53-01	LOCKWASHER		1	
27	510 43 17-01	CABLE GROMMET		1	
27	587 10 12-01	GROMMET	US120V	1	
28	586 58 69-01	PLUG		1	
28	586 58 69-02	PLUG	US only	1	
29	582 50 69-03	ELECTRONIC BOX		1	
29	582 50 69-04	ELECTRONIC BOX	HDX version only	1	
30	586 23 68-03	CABLE		1	
30	586 23 68-02	CABLE	AUS	1	
30	586 23 68-08	CABLE	BR	1	
30	586 23 68-12	CABLE	US, 120V	1	
30	586 23 68-13	CABLE	US 240V	1	
31	585 63 81-03	CABLE		1	
31	585 63 81-10	CABLE	US/CAN, 240V	1	
31	585 63 81-11	CABLE	US/CAN, 120V	1	
32	585 36 66-05	CONNECTOR		1	
33	590 50 35-01	CONNECTOR		1	
34	725 52 24-01	SCREW		2	
35	732 25 10-01	HEXAGON LOCKING NUT		2	
36	587 17 39-01	ELECTRONIC BOX		1	
37	510 43 17-02	CABLE GROMMET		1	36
37	587 10 12-01	GROMMET	US120V	1	
38	587 17 45-01	CAPACITOR	230V, 50/60Hz	1	
38	587 17 45-02	CAPACITOR	110V, 50/60Hz	1	
39	587 17 44-01	CAPACITOR	230V, 50Hz	1	
39	587 17 44-02	CAPACITOR	230V, 60Hz	1	
39	587 17 44-03	CAPACITOR	110V, 50/60Hz	1	
40	587 17 43-01	SWITCH	230V, 50Hz	1	
40	587 17 43-02	SWITCH	208-230V, 60Hz	1	
40	587 17 43-03	SWITCH	110V, 50/60Hz	1	
41	590 51 83-01	DECAL	US, CAN	1	
41	590 51 84-01	DECAL	ROW	1	