

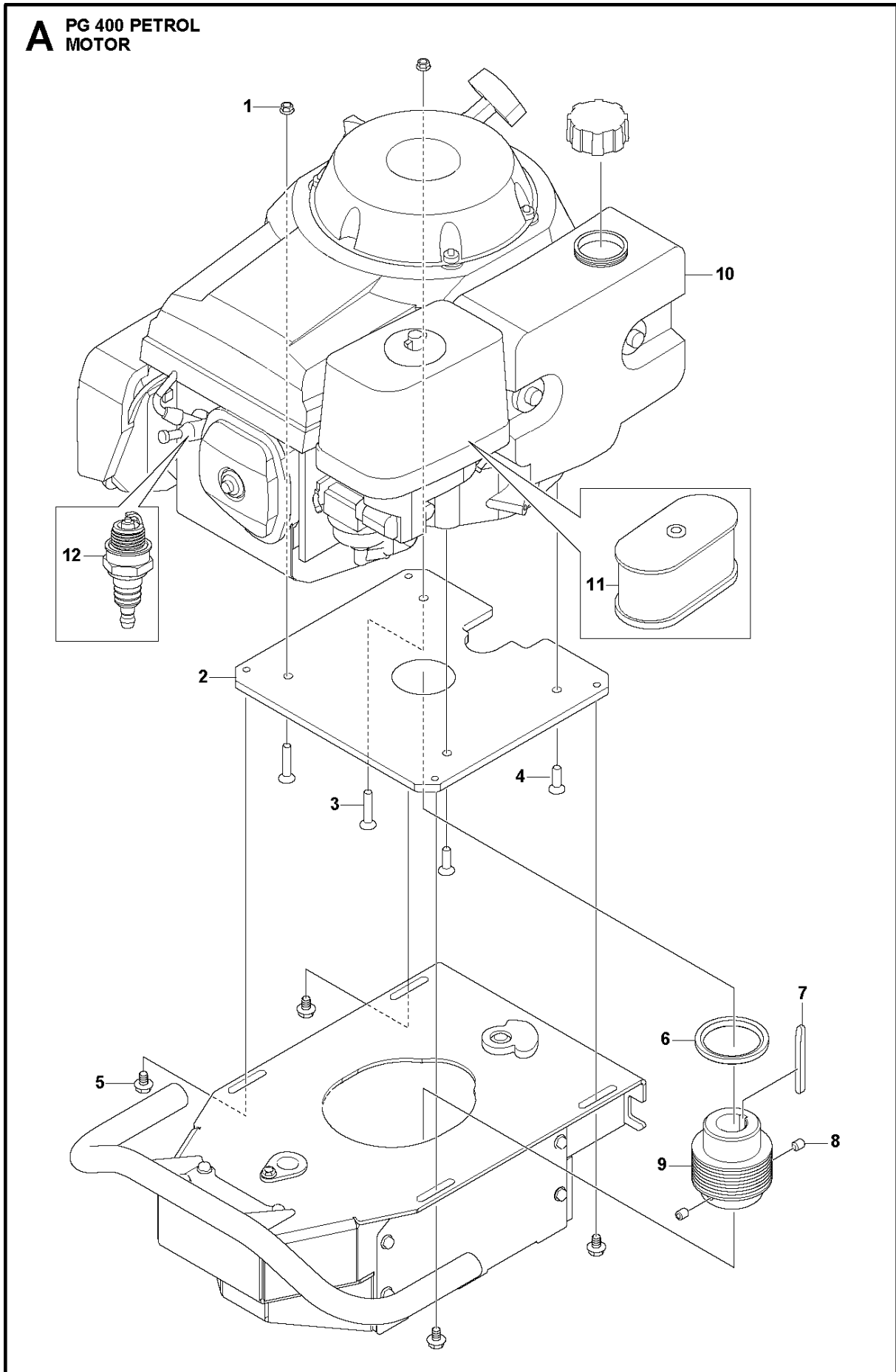


# SPARE PARTS LIST

SURFACE PREPARATION EQUIPMENT

PG 400 PETROL, 2020-04

**A** PG 400 PETROL  
MOTOR

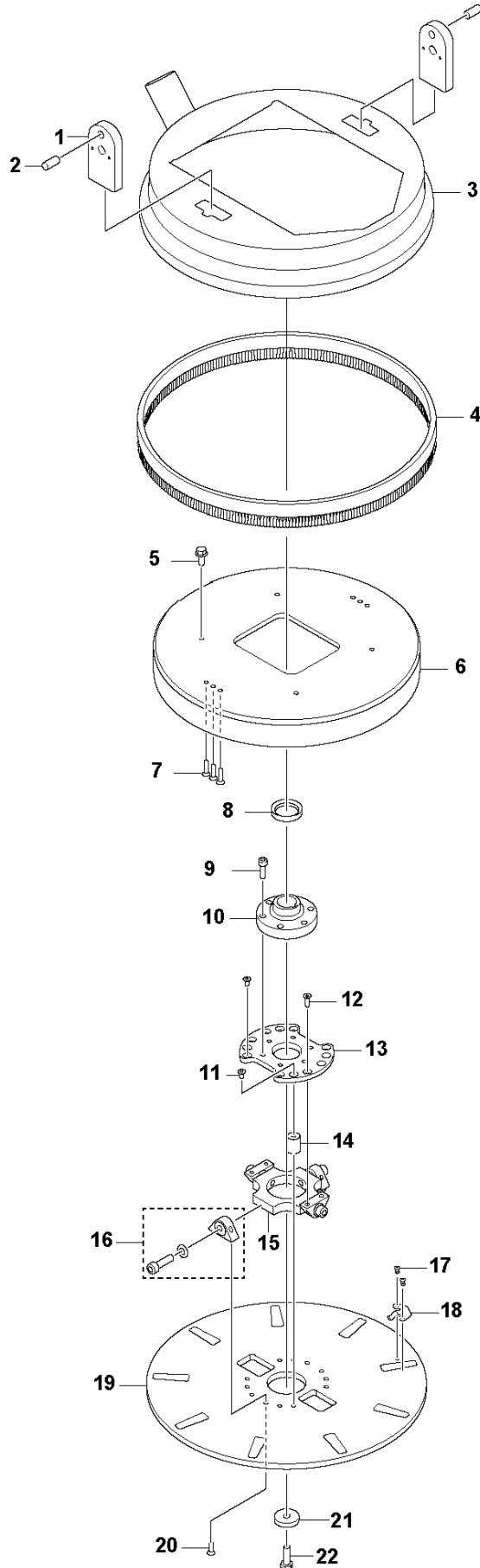


## MOTOR

PG 400 PETROL, 2020-04

Ref	Part No	Description	Remark	QTY KIT
1	598 70 09-01	NUT		2
2	598 39 64-01	PLATE		1
3	598 70 11-01	SCREW		2
4	598 70 10-01	SCREW		2
5	598 70 01-01	SCREW		4
6	598 39 66-01	SEAL		1
7	590 78 80-01	PARALLEL KEY		1
8	728 84 45-05	SCREW IHSETM		2
9	598 39 65-01	PULLEY		1
10	590 78 73-01	ENGINE		1
11	598 48 22-01	AIR FILTER		1
12	596783001	TBD		1

**B** PG 400 PETROL  
GRINDING HEAD

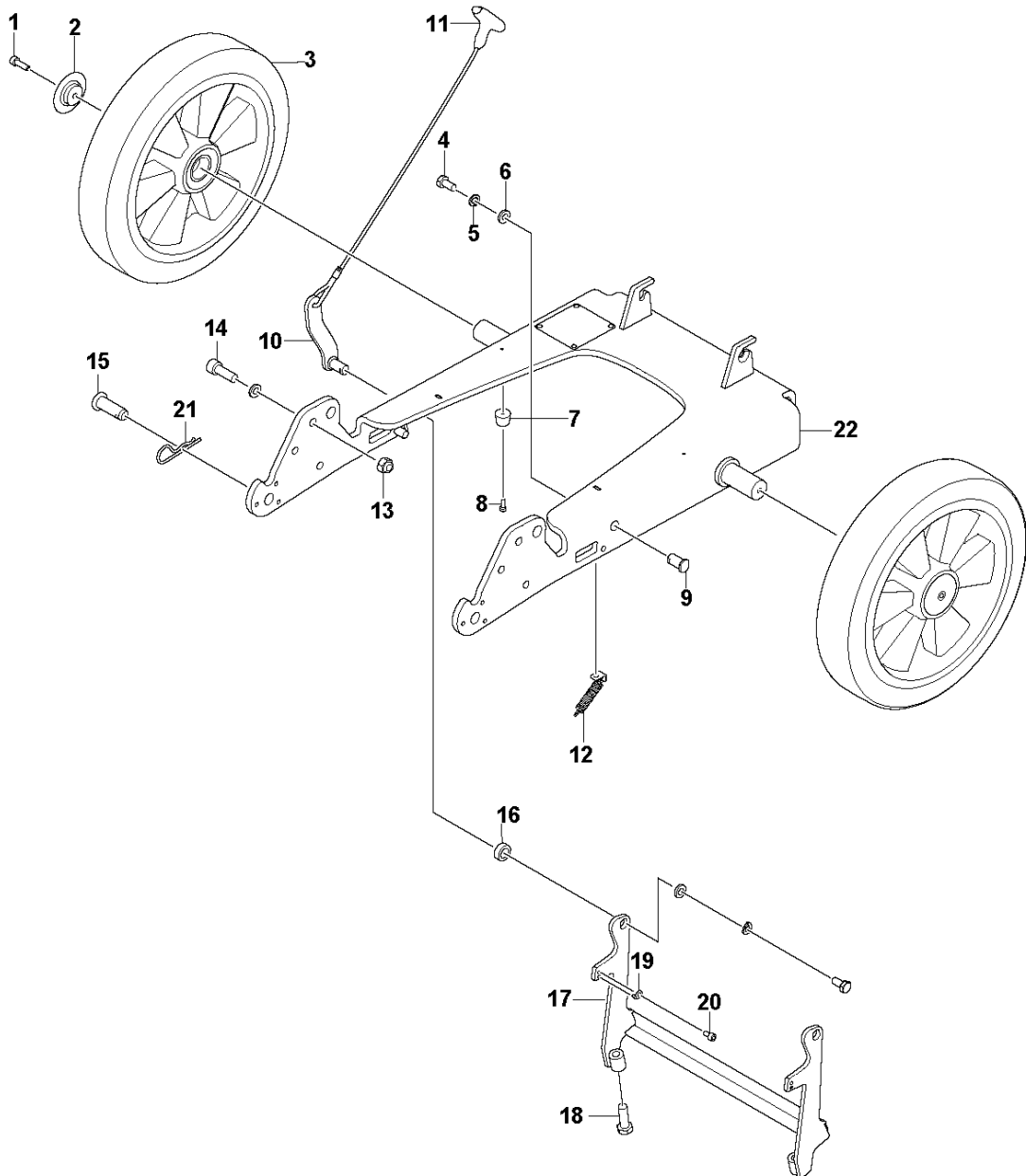


## GRINDING HEAD

PG 400 PETROL, 2020-04

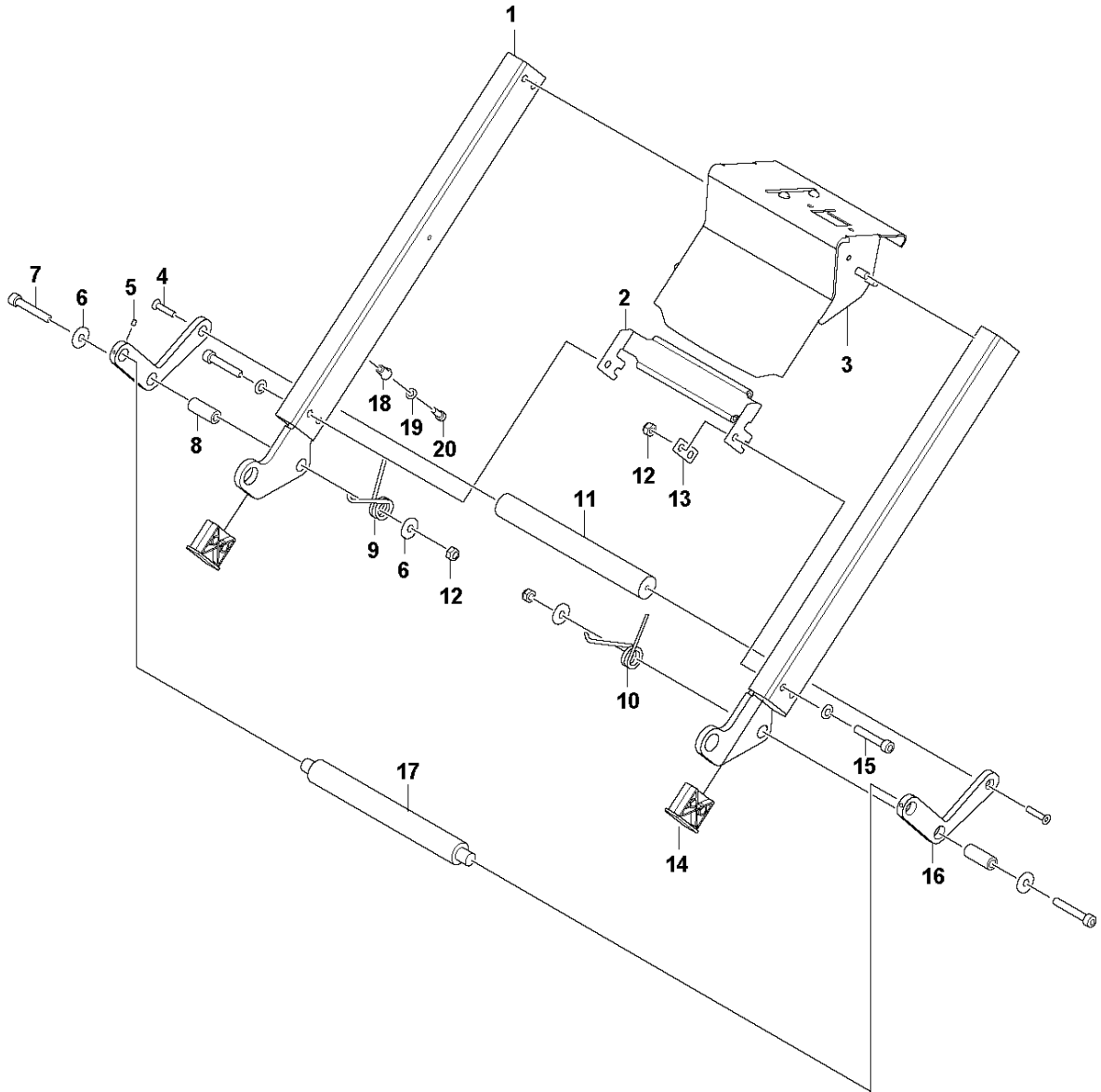
Ref	Part No	Description	Remark	QTY KIT
1	585 54 03-01	BRACKET	BRACKET	2
2	585 13 82-02	PIN	Pin	2
3	590 78 90-01	DUST COVER	DUST COVER	1
4	582 30 00-11	BRUSH	Brush	1
5	585 97 54-01	SCREW EHHFM	SCREW EHHFM	4
6	590 79 31-01	MOUNTING PLATE	Mounting Plate	1
7	725 63 72-56	SCREW IHCSFM	SCREW IHCSFM	6
8	589 92 58-01	V-RING	V-Ring	1
9	725 54 53-05	SCREW IHSCM	Screw IHSCM	6
10	598 41 68-01	COUPLER	Coupler	1
11	725 64 47-55	SCREW IHCSFM	SCREW IHCSFM	8
12	725 63 70-51	SCREW IHCSFM	SCREW IHCSFM	8
13	590 78 72-01	DISC	Attachment Plate	1
14	584 81 61-01	ABSORBER	Damper	8
15	594 89 50-01	PLATE	Plate	1
16	599619001	TBD	Ear Cardan Kit	1
17	722 79 46-09	RIVET	Rivet	18
18	590 79 33-01	SPRING	Spring	9
19	590 78 72-01	DISC	Tool Holder	1
20	725 64 49-55	SCREW IHCSFM	SCREW IHCSFM	8
21	510 23 51-01	WASHER	Washer	1
22	725 24 95-71	SCREW EHHM	SCREW EHHM	1

**C** PG 400 PETROL  
CHASSIS / FRAME



Ref	Part No	Description	Remark	QTY KIT
1	725 53 70-51	SCREW IHSCM	Screw IHSCM	2
2	575 39 51-01	WASHER	Washer	2
3	590 72 66-01	WHEEL	Wheel	2
4	725 24 49-71	SCREW EHHM	Screw EHHM	2
5	735 11 64-01	SPRING WASHER	Spring Washer	2
6	504 46 75-01	WASHER	Washer	2
7	585 51 68-01	RUBBER SHOE	Rubber Shoe	2
8	725 52 91-01	SCREW IHSCM	Screw IHSCM	2
9	592 65 65-01	SHAFT	Shaft	1
10	592 66 02-01	HANDLE ASSY	Handle assy	1
11	575 48 95-01	STARTER HANDLE	Starter Handle	1
12	590 78 88-01	SPRING	Spring	2
13	732 25 20-01	HEXAGON LOCKING NUT	HEXAGON LOCKING NUT	2
14	725 54 95-01	SCREW IHSCM	SCREW IHSCM	2
15	721 85 68-01	CLEVIS PIN	Clevis Pin	2
16	592 65 67-01	SPACER	Spacer	2
17	590 93 38-01	STAND	Stand	1
18	725 24 95-71	SCREW EHHM	Screw EHHM	2
19	592 65 68-01	PLATE	Plate	2
20	725 53 25-01	SCREW IHSCM	Screw IHSCM	2
21	721 68 02-51	SPRING COTTER	Spring cotter	1
22	593 33 16-01	FRAME	Frame Assy	1

**D** PG 400 PETROL  
CHASSIS UPPER



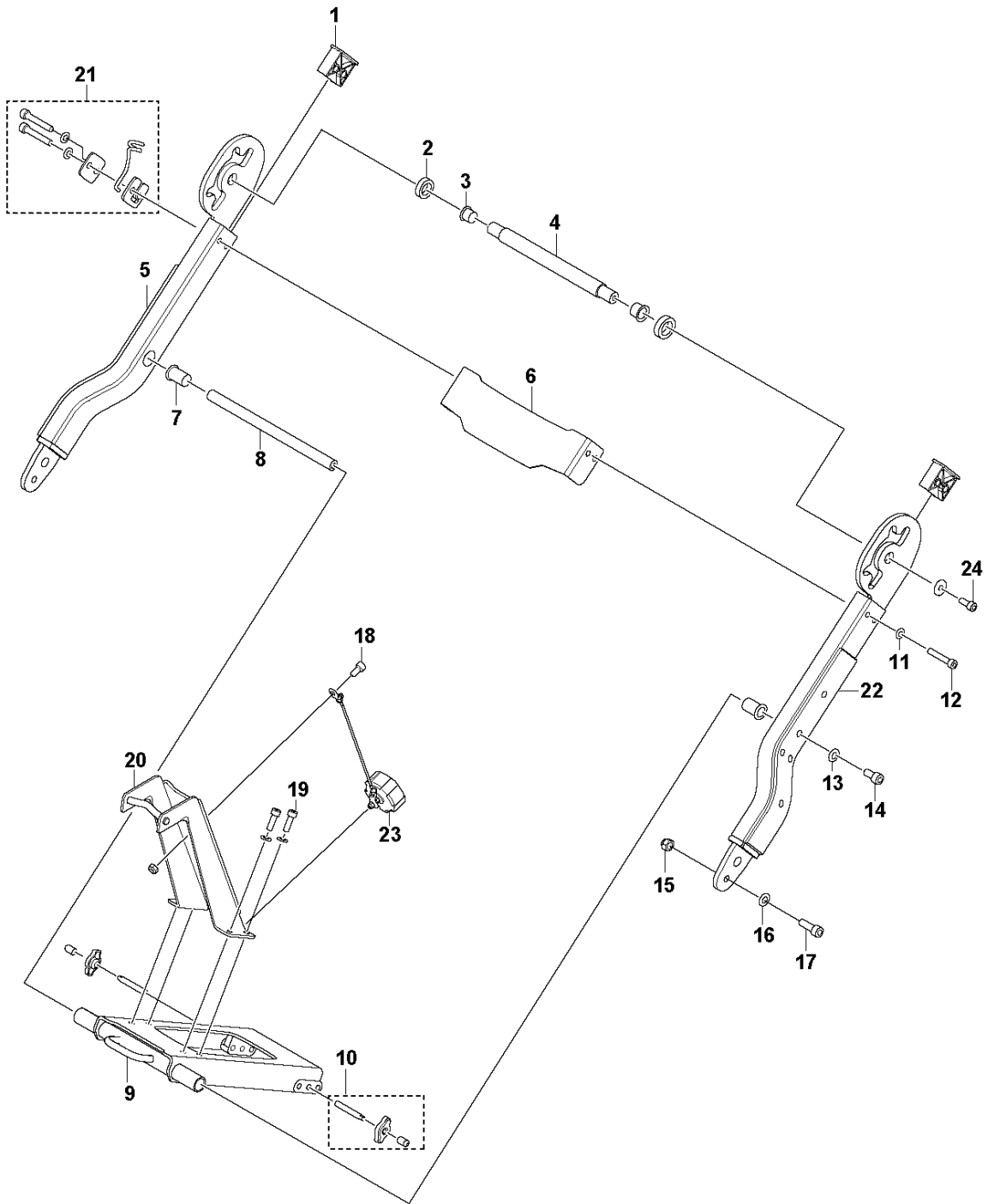


## CHASSIS UPPER

PG 400 PETROL, 2020-04

Ref	Part No	Description	Remark	QTY KIT
1	585 57 35-11	FORK	Fork	1
2	585 38 28-01	BRACKET	Bracket	1
3	590 82 10-01	PLATE	Plate	1
4	725 63 74-51	SCREW	Screw	2
5	728 82 85-01	SCREW IHSETM	Screw IHSETM	4
6	734 11 65-41	WASHER	Washer	6
7	725 54 61-01	SCREW IHSCM	Screw IHSCM	2
8	585 38 33-02	SLEEVE	Sleeve	2
9	585 41 61-01	SPRING	Spring	1
10	585 41 73-01	SPRING	Spring	1
11	585 13 37-01	HANDLE	Handle	1
12	732 25 18-01	HEXAGON LOCKING NUT	Hexagon locking nut	15
13	585 38 31-01	WASHER	Washer	2
14	585 13 29-01	SPACER	Spacer	2
15	725 54 60-01	SCREW IHSCM	Screw IHSCM	12
16	585 13 33-01	PLATE	Plate	2
17	585 13 38-01	ROD	Rod	1
18	521 88 66-01	RIVET	Rivet	1
19	725 53 68-01	SCREW IHSCM	Screw IHSCM	1
20	734 11 52-01	WASHER	Washer	1

**E** PG 400 PETROL  
CHASSIS LOWER

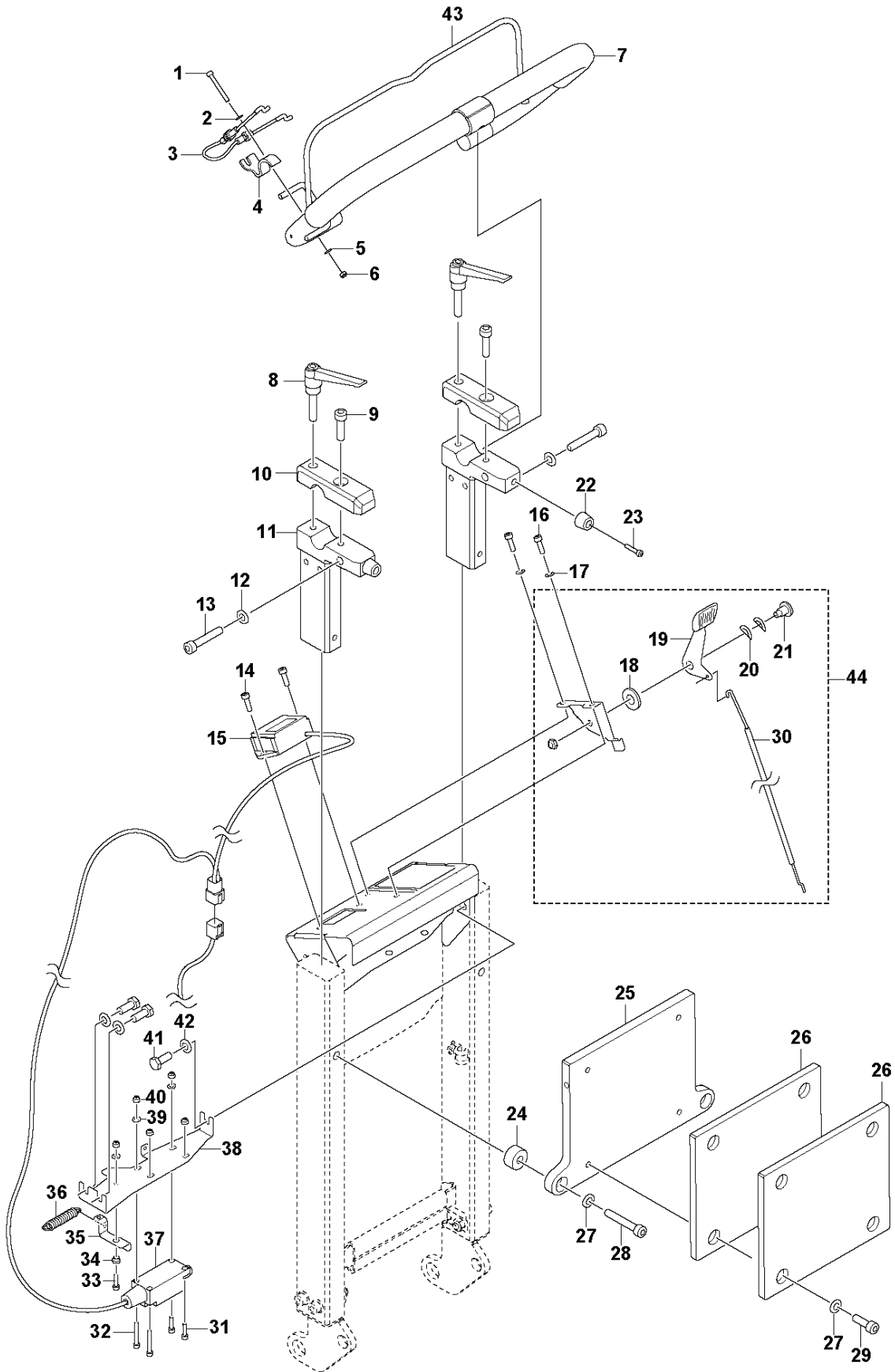


## CHASSIS LOWER

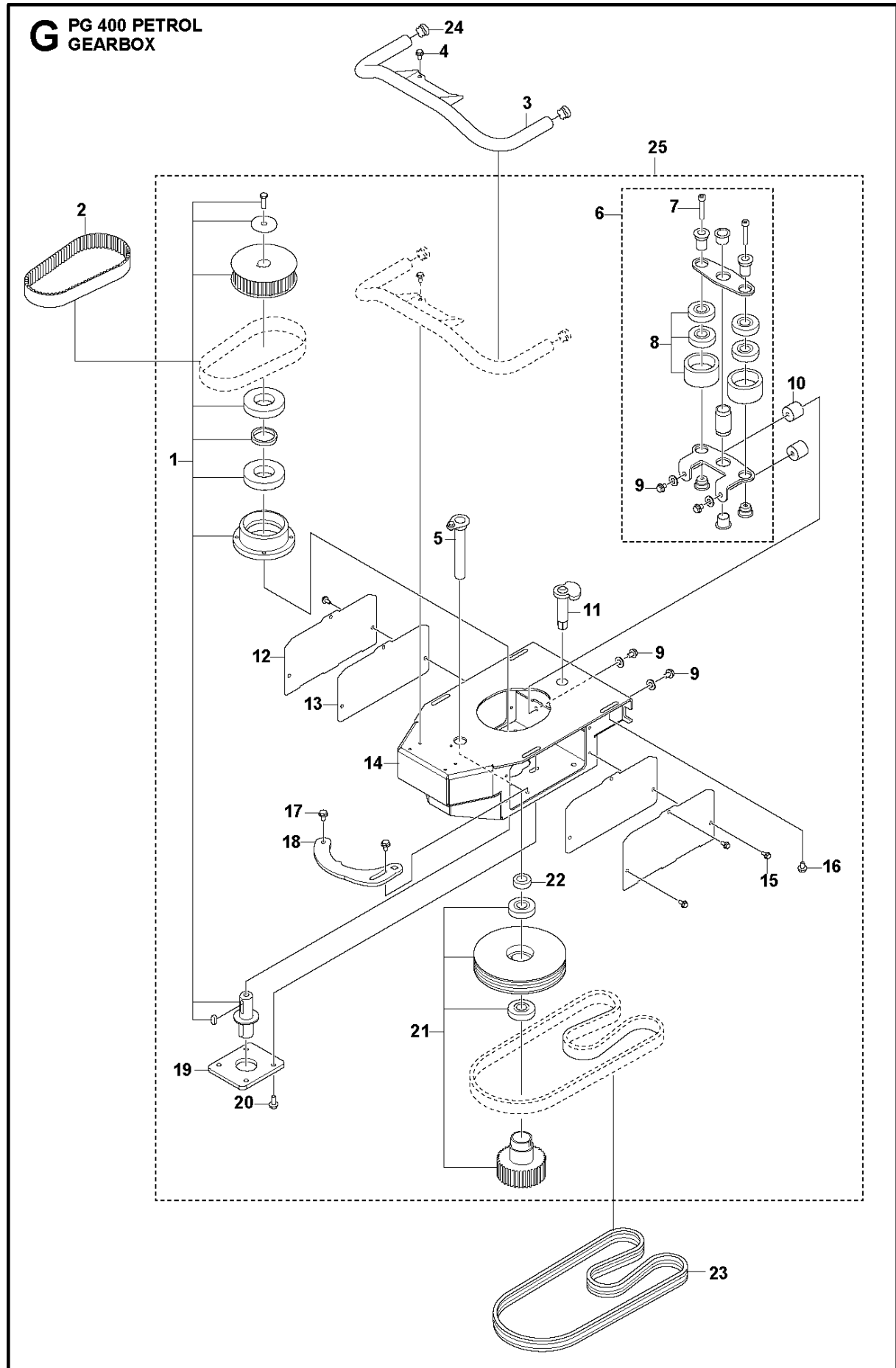
PG 400 PETROL, 2020-04

Ref	Part No	Description	Remark	QTY KIT
1	585 13 29-01	SPACER	Spacer	2
2	585 13 35-01	SPACER	Spacer	2
3	585 41 60-01	BUSH	Bush	2
4	585 13 36-01	TUBE	Tube	1
5	582 56 33-04	FORK	Fork	1
6	585 38 30-01	BRACKET	Bracket	1
7	585 12 91-01	BUSH	Bush	2
8	585 12 90-02	TUBE	Tube	1
9	593 84 40-01	SUPPORT	Support	1
10	590 47 22-01	WING KNOB	Wing Knob	1
11	734 11 63-01	WASHER	Washer	28
12	725 54 61-01	SCREW IHSCM	Screw IHSCM	2
13	734 11 72-01	WASHER	Washer	2
14	725 54 91-01	SCREW IHSCM	Screw IHSCM	2
15	732 25 20-01	HEXAGON LOCKING NUT	Hexagon locking nut	2
16	734 11 72-01	WASHER	Washer	2
17	725 54 95-01	SCREW IHSCM	Screw IHSCM	2
18	725 54 49-01	SCREW IHSCM	Screw IHSCM	1
19	7255445301	TBD	Screw IHSCM	8
20	590 84 65-01	HOOK	Hook	1
21	599618701	TBD	Retainer Kit	1
22	582 56 33-03	FORK	Fork	1
23	592 65 27-01	CAP ASSY	Cap assy.	1

**F** PG 400 PETROL  
PANEL ASSEMBLY



Ref	Part No	Description	Remark	QTY	KIT
1	725 52 99-01	SCREW IHSCM	Screw IHSCM	1	
2	734 11 36-01	WASHER	Washer	4	
3	593 80 61-01	WIRE	Wire	1	
4	593 80 05-01	BRACKET	Bracket	1	
5	734 11 36-01	WASHER	Washer	4	
6	732 25 12-01	HEXAGON LOCKING NUT	Hexagon locking nut	1	
7	599618601	TBD	Handle Kit	1	
8	590 37 37-01	LOCKING HANDLE	LOCKING HANDLE	2	
9	725 54 55-01	SCREW IHSCM	Screw IHSCM	2	
10	585 51 66-01	BRACKET	BRACKET	2	
11	589 83 77-01	BRACKET	Bracket	2	
12	734 11 63-01	WASHER	Washer	28	
13	725 54 60-01	SCREW IHSCM	Screw IHSCM	12	
14	725 53 29-01	SCREW IHSCM	Screw IHSCM	4	
15	588 62 64-01	METER	hour counter with cable	1	
16	725 53 29-01	SCREW IHSCM	Screw IHSCM	4	44
17	734 11 46-01	WASHER	Washer	4	44
18	587696401	TBD	Washer	1	44
19	587696201	TBD	Lever	1	44
20	587696601	TBD	Washer	2	44
21	725 24 53-71	SCREW EHHM	Screw	1	44
22	585 51 68-01	RUBBER SHOE	Rubber shoe	2	
23	725 52 95-01	SCREW IHSCM	Screw IHSCM	2	
24	590 20 34-01	BUSHING	Bushing	2	
25	589 83 71-01	COUNTERWEIGHT	Counterweight	1	
26	589 83 72-01	COUNTERWEIGHT	Counterweight	1	
27	734 11 63-01	WASHER	Washer	28	
28	725 54 60-01	SCREW IHSCM	Screw IHSCM	12	
29	725 54 53-01	SCREW IHSCM	Screw IHSCM	8	
30	587 69 69-01	CABLE	Cable	1	
31	725 52 93-01	SCREW IHSCM	Screw IHSCM	3	
32	725 52 99-01	SCREW IHSCM	Screw IHSCM	2	
33	725 52 93-01	SCREW IHSCM	Screw IHSCM	3	
34	592 64 82-01	SPACER	Spacer	1	
35	593 74 27-01	BRACKET	Bracket	1	
36	590 78 88-01	SPRING	Spring	1	
37	590 18 13-01	MICRO SWITCH	Micro switch	1	
38	593 74 25-01	BRACKET	Bracket	1	
39	734 11 36-01	WASHER	Washer	6	
40	732 25 12-01	HEXAGON LOCKING NUT	Hexagon locking nut	5	
41	725 24 51-71	SCREW EHHM	Screw EHHM	4	
42	734 11 63-01	WASHER	Washer	4	
43	592 65 19-01	BAIL	Spring cotter	1	
44	587 69 69-01	CABLE	Throttle	1	

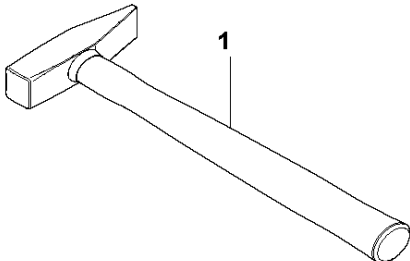


## GEARBOX

PG 400 PETROL, 2020-04

Ref	Part No	Description	Remark	QTY	KIT
1	598 41 69-01	HUB ASSY	Hub Timing Belt	1	25
2	598 39 60-01	BELT	Belt Timing	1	
3	598 41 08-01	HANDLE	Handle	1	
4	585 97 33-01	SCREW EHHFM	Screw EHHFM	11	
5	598 39 88-01	SHAFT ASSY	Shaft Assy	1	25
6	598 42 06-01	PIVOT WHEEL ASSY	Pivot wheel assy	1	25
7	725 54 60-01	SCREW IHSCM	SCREW IHSCM	2	25, 6
8	598 39 49-01	PULLEY	Idler Pulley	2	25,6
9	598 70 01-01	SCREW	Screw	10	25, 6
10	598 39 67-01	DAMPER	Damper	2	25
11	598 39 87-01	TENSIONER	Tensioner	1	25
12	598 39 68-01	PLATE	Side Cover Gearbox	2	25
13	598 39 69-01	GASKET	Gasket Side Cover	2	25
14	598 39 89-01	CHASSIS	Cage Gearbox	1	25
15	585 97 33-01	SCREW EHHFM	Screw EHHFM	11	25
16	597 70 01-01	PACKING SYSTEM	Screw	10	25
17	598 70 01-01	SCREW	Screw	10	25
18	598 39 70-01	TENSIONER	Tensioner	1	25
19	598 39 61-01	PLATE	Plate	1	25
20	585 97 54-01	SCREW EHHFM	Screw EHHFM	4	25
21	598 39 90-01	PULLEY ASSY	Pulley Assembly	1	25
22	598 39 43-01	BUSHING	Bushing	2	25
23	598 39 46-01	BELT	Belt Multi Rib	1	
24	598 82 94-01	PLUG	End Plug	2	
25	598 03 42-01	GEARBOX ASSY	Gear Box Assy	1	

**H** PG 400 PETROL  
ACCESSORIES



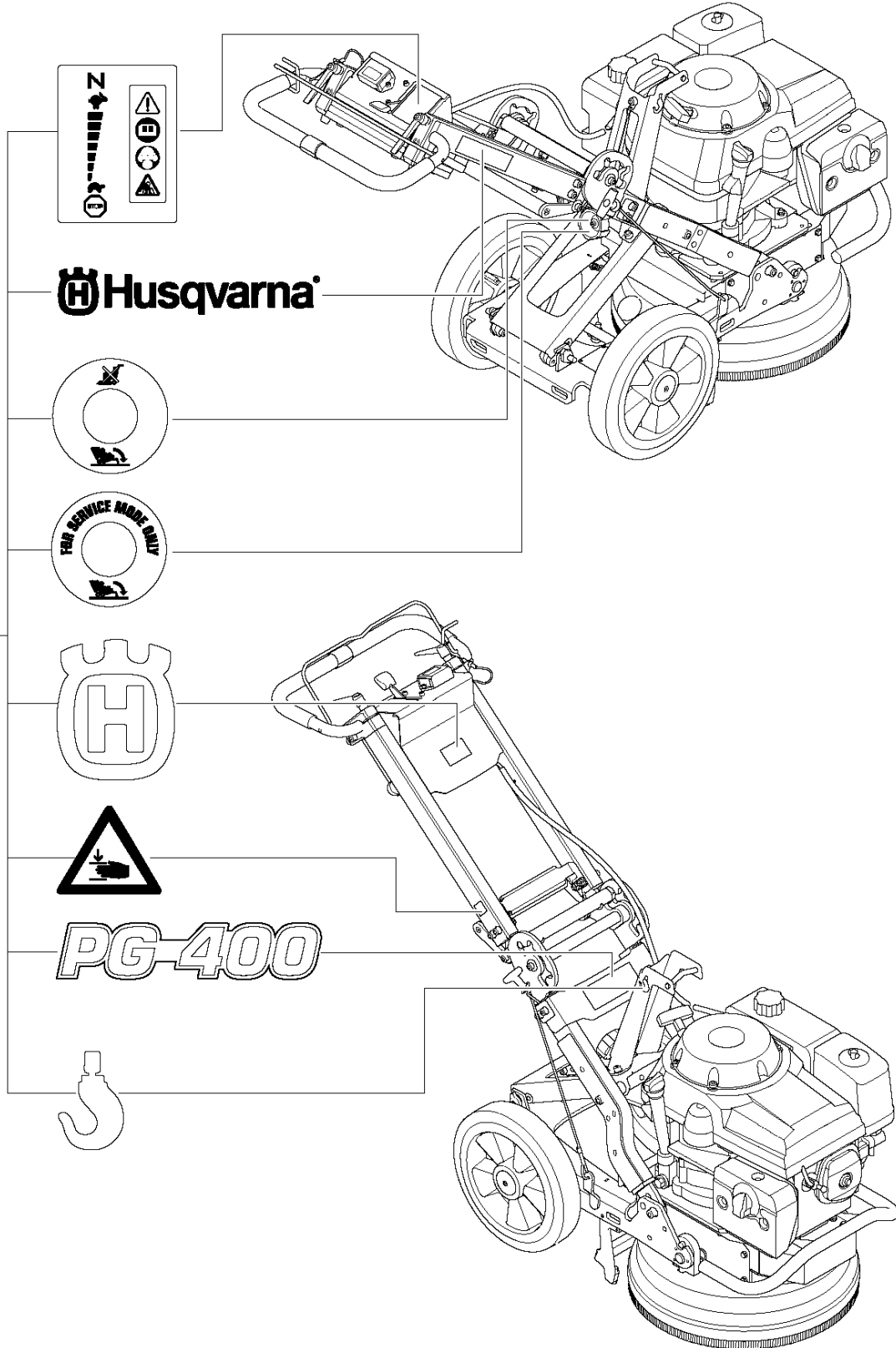


ACCESSORIES

PG 400 PETROL, 2020-04

Ref	Part No	Description	Remark	QTY KIT
1	522 03 97-01	HAMMER	Hammer	1

**J** PG 400 PETROL  
DECALS



DECALS

PG 400 PETROL, 2020-04

Ref	Part No	Description	Remark	QTY KIT
1	599618401	TBD	Decal Kit	1