



SPARE PARTS LIST

LIGHT COMPACTION

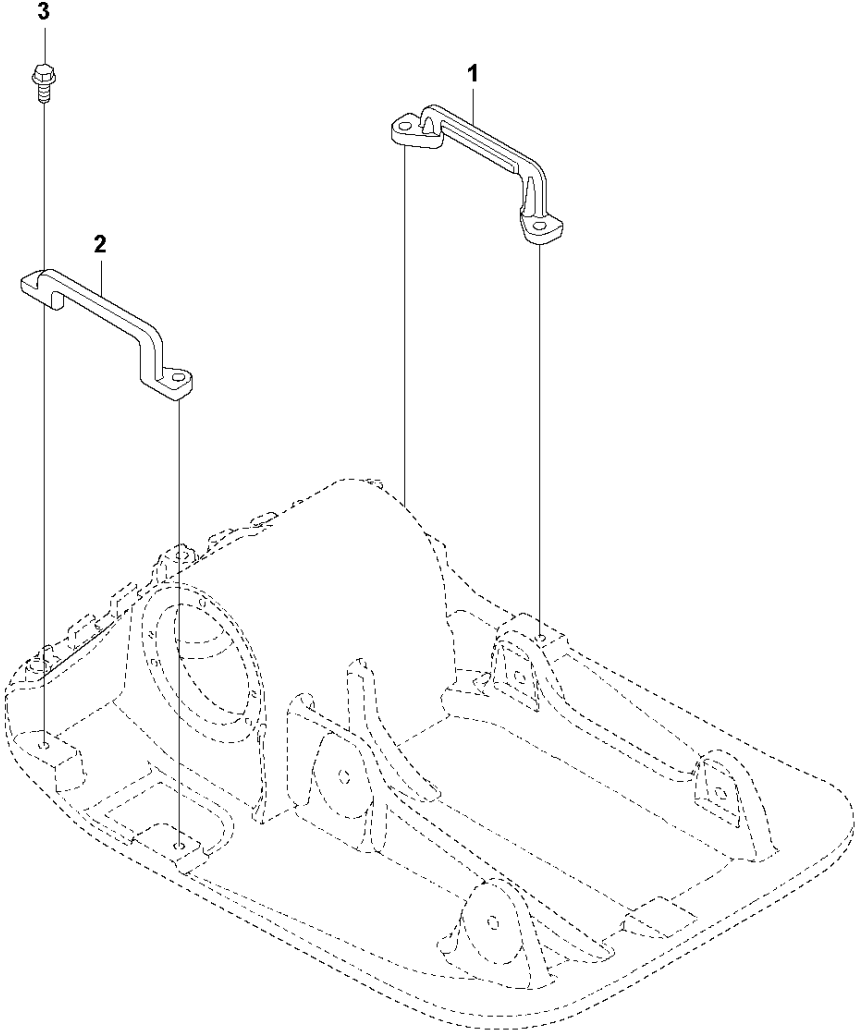
LF 80 L/LF 80 LAT, 967855001,
967855002, 2019-06

GROUND PLATE INSTALLATION

LF 80 L/LF 80 LAT, 967855001, 967855002, 2019-06

Ref	Part No	Description	Remark	QTY KIT
1	594 65 08-01	PLATE	Ground plate LF 80	1
3	594 64 40-01	SHAFT	Eccentric	1
4	594 52 61-01	BALL BEARING		2
5	594 49 01-01	COVER		1
6	594 12 83-01	SEAL		1
7	594 48 67-01	PULLEY		1
8	594 12 34-01	WASHER	M08 8,4x22x3,0 300 HV	1
9	594 12 00-01	SCREW	M08x25, 8.8, A2K	1
10	595 03 32-01	SCREW	M6x16 8.8, A2K	6
11	594 49 02-01	COVER		1
12	594 34 19-01	ABSORBER		4
13	594 12 26-01	HEXAGON NUT	M10x10	8
14	594 65 33-01	BAR	BAR Sprinkler, 420 mm	1
16	594 12 30-01	LOCK NUT		3
17	595 03 35-01	SCREW	M08x40 8.8, A2K	2
18	595 28 71-01	SCREW	M08x50, 8.8, A2K	1
19	594 12 46-01	WASHER	Nordlock NL6 M6 DIA 13.5	6

B LF 80 L / LF 80 LAT
LIFTING HANDLE

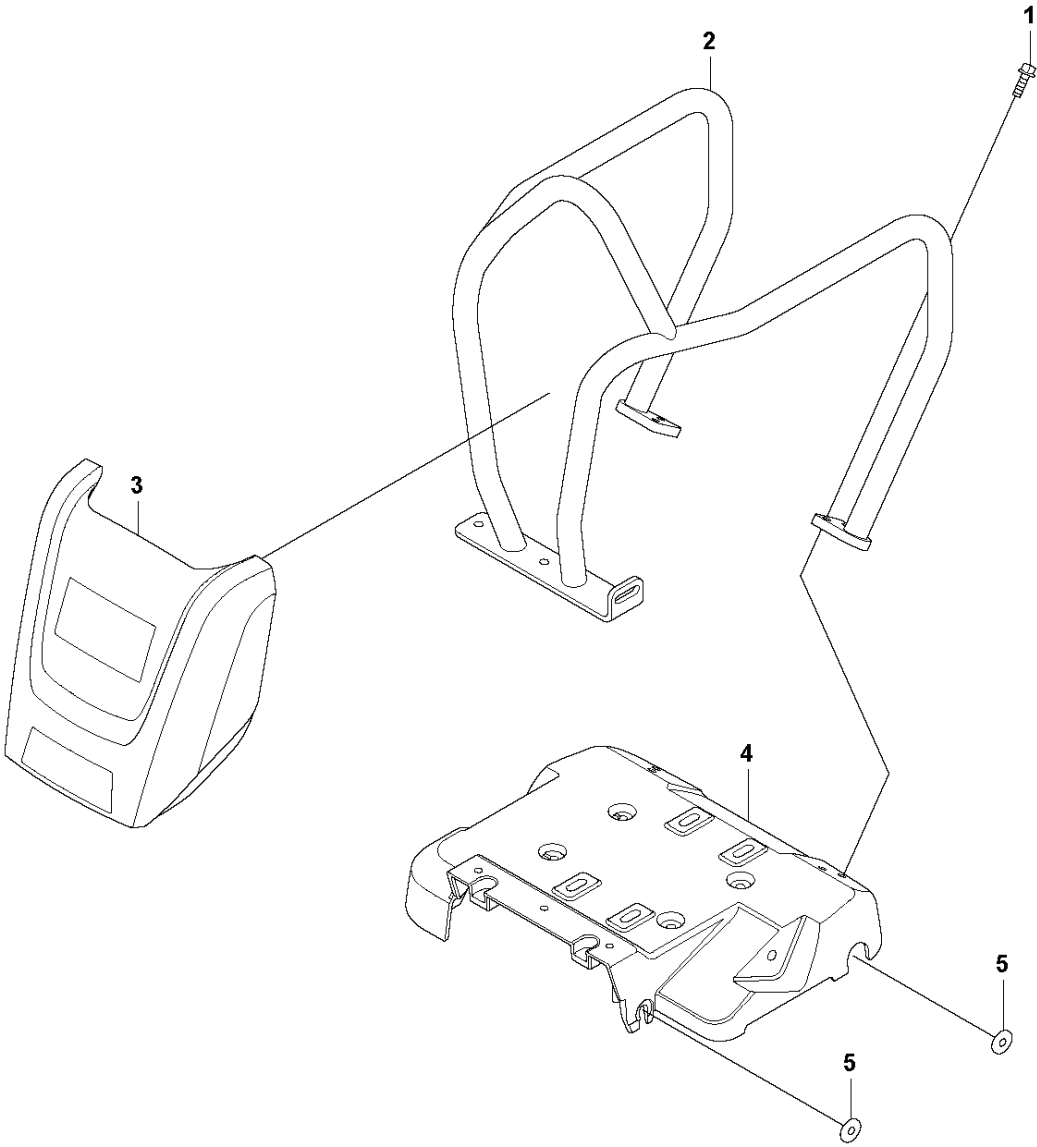


LIFTING HANDLE

LF 80 L/LF 80 LAT, 967855001, 967855002, 2019-06

Ref	Part No	Description	Remark	QTY KIT
1	594 48 68-01	HANDLE	Right	1
2	594 48 69-01	HANDLE	Left	1
3	595 28 73-01	SCREW	M8x20 mm 8.8 A2K	4

C LF 80 L
ENGINE PLATE

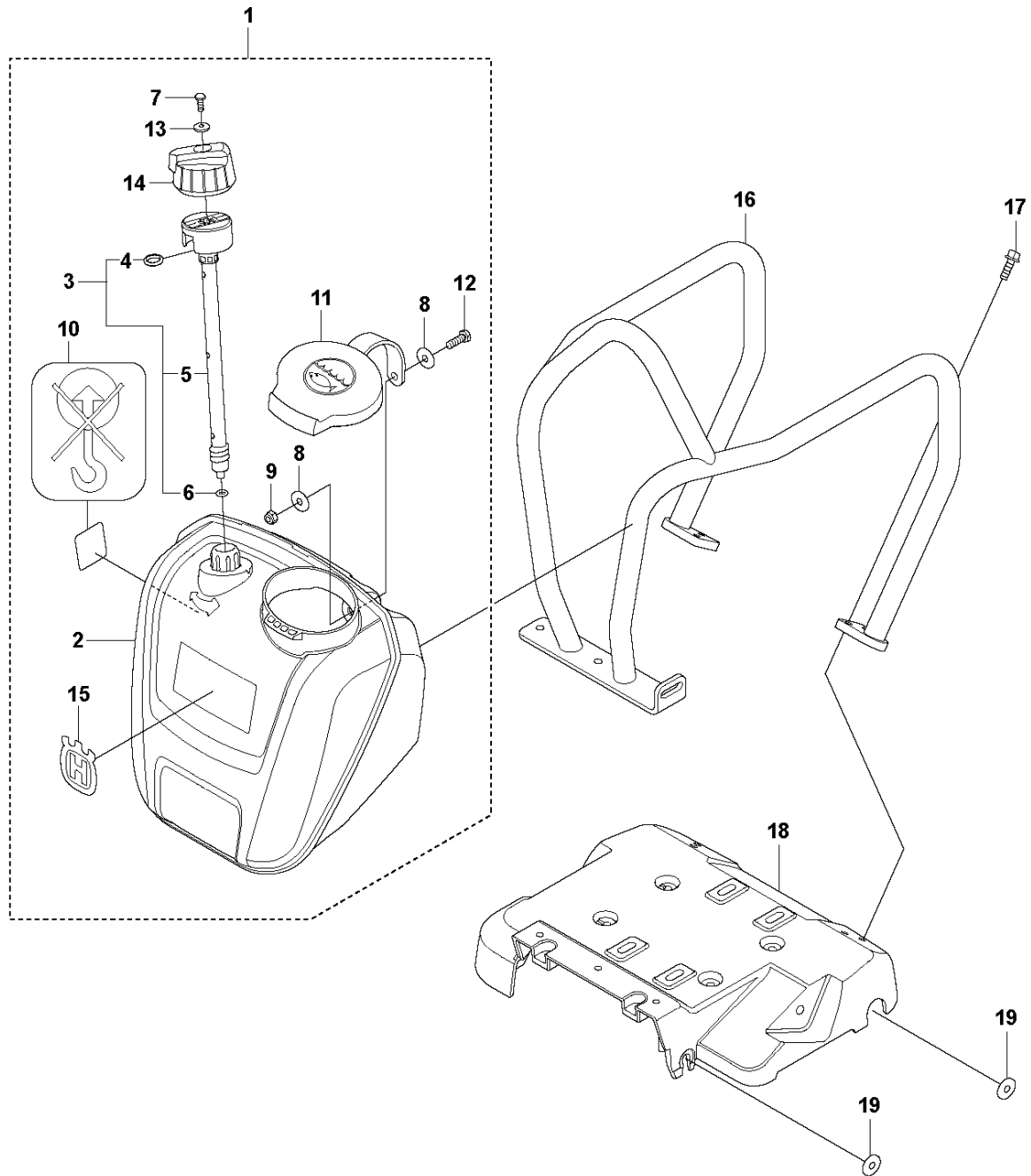


ENGINE PLATE

LF 80 L/LF 80 LAT, 967855001, 967855002, 2019-06

Ref	Part No	Description	Remark	QTY KIT
1	594 12 00-01	SCREW		7
2	594 14 46-01	FRAME		1
3	594 95 80-01	COVER	HVA orange	1
4	594 14 54-01	ENGINE PLATE		1
5	594 83 85-01	WASHER	022x10,5x4,0, S355JR, UNTR	4

D LF 80 LAT
ENGINE PLATE & WATER TANK

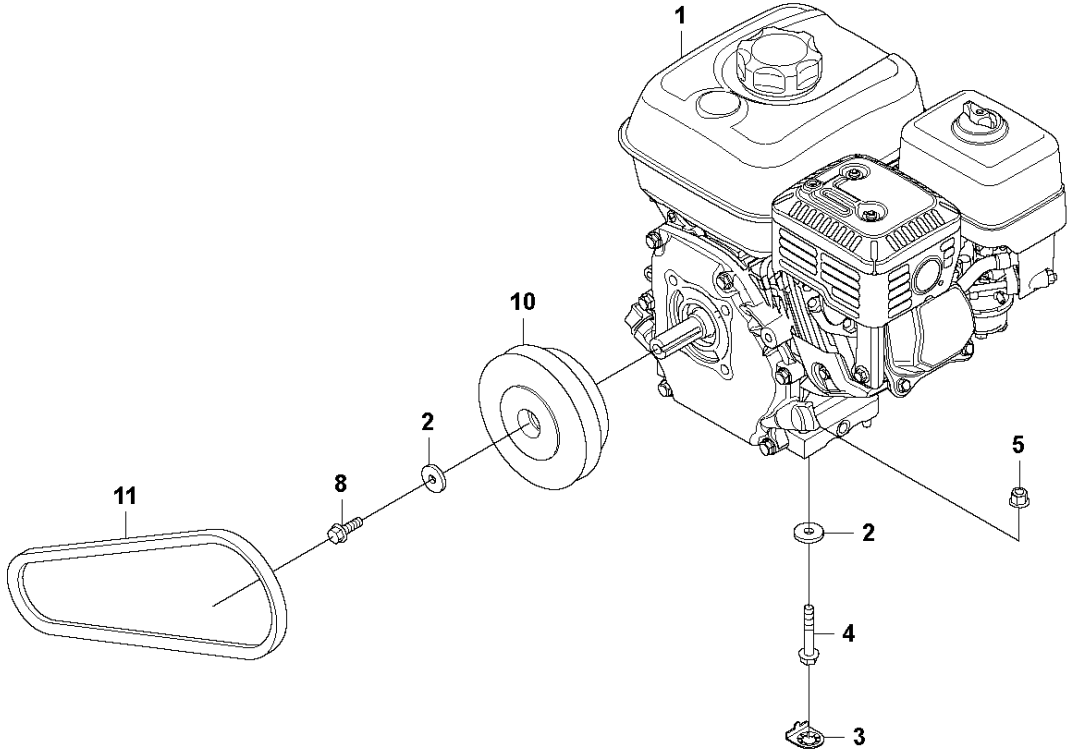


ENGINE PLATE & WATER TANK

LF 80 L/LF 80 LAT, 967855001, 967855002, 2019-06

Ref	Part No	Description	Remark	QTY	KIT
1	596 39 29-01	SPRINKLER		1	
2	594 96 11-01	TANK		1	1
3	594 21 23-01	VALVE		1	1
4	594 12 79-01	O-RING	o-ring ϕ 15x4	1	1,3
5	594 48 19-01	VALVE		1	1,3
6	594 12 80-01	O-RING	o-ring ϕ 8x2.5	1	1,3
7	595 03 32-01	SCREW	M6x16 8.8, A2K	1	1
8	595 06 10-01	WASHER	ϕ 8,4x25x2	2	1
9	595 06 27-01	NUT	M08 DIN985	1	1
10	594 48 33-01	DECAL	decal No lifting point	1	1
11	594 48 14-01	CAP		1	1
12	595 03 34-01	SCREW	m8x25	1	1
13	595 03 64-01	WASHER	NB 06,4 18,0 1,6 din 9021 b Zn	1	1
14	594 48 11-01	HANDLE		1	1
15	574 38 21-01	DECAL	HV Crown	1	1
16	594 14 46-01	FRAME		1	
17	594 12 00-01	SCREW		7	
18	594 14 54-01	ENGINE PLATE		1	
19	594 83 85-01	WASHER	022x10,5x4,0, S355JR, UNTR	2	

E LF 80 L / LF 80 LAT
ENGINE INSTALLATION

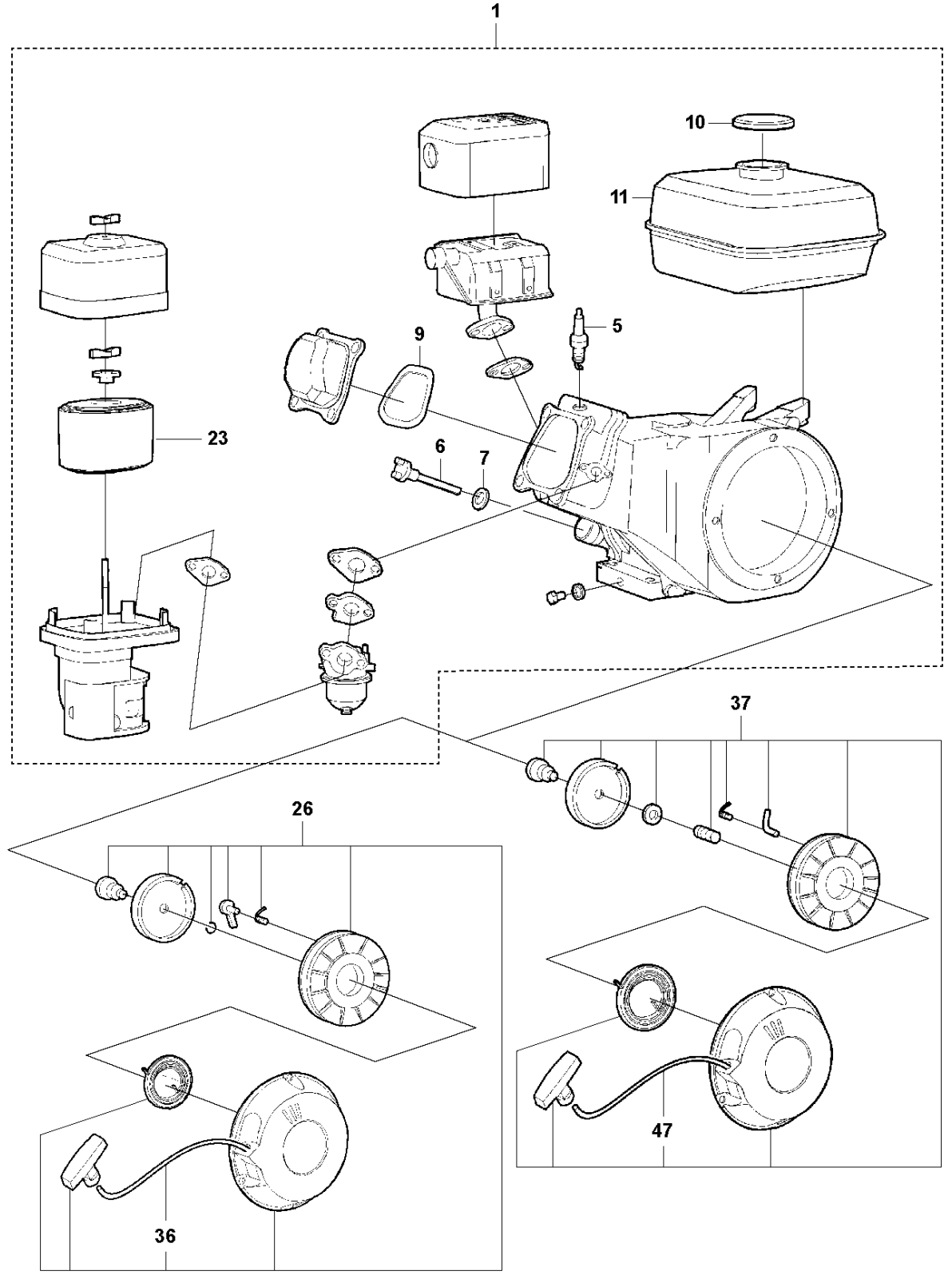


ENGINE INSTALLATION

LF 80 L/LF 80 LAT, 967855001, 967855002, 2019-06

Ref	Part No	Description	Remark	QTY KIT
1	594 16 11-01	ENGINE		1
2	595 11 29-01	WASHER	M08 8,4x26x4,0 300 HV	5
3	594 48 42-01	WASHER		4
4	594 49 91-01	SCREW	M8x50	4
5	594 12 30-01	LOCK NUT		4
8	594 12 00-01	SCREW	M8x25	1
10	594 48 01-01	CENTRIFUGAL CLUTCH		1
11	594 48 88-01	V-BELT		1

F LF 80 L / LF 80 LAT
ENGINE - HONDA GX 160 UT2 SXS4 OH2

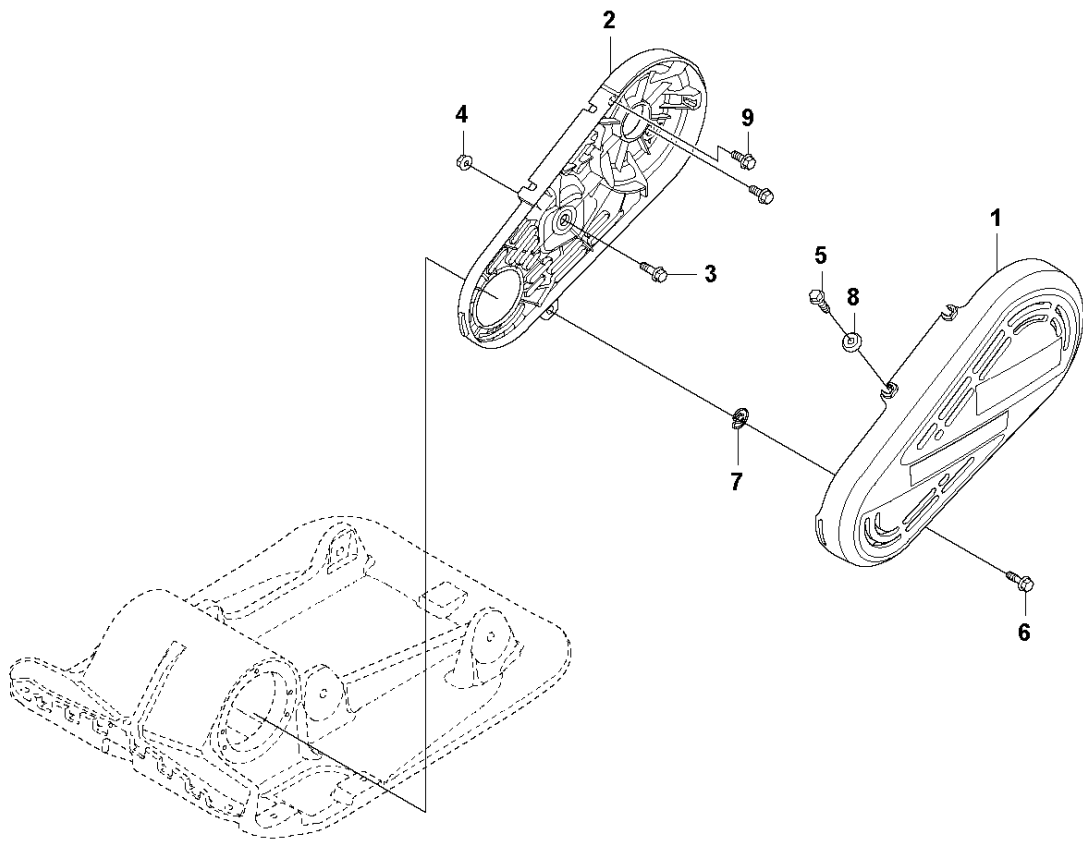


ENGINE

LF 80 L/LF 80 LAT, 967855001, 967855002, 2019-06

Ref	Part No	Description	Remark	QTY KIT	
1	594 16 11-01	ENGINE	Honda GX160UT2 SXS4 SD	1	
5	594 20 40-01	SPARK PLUG	(bpr6es) (ngk)	1	1
6	594 20 38-01	OIL		1	1
7	595 37 42-01	CAP	(CAP Packing, Oil Filler)	1	1
9	595 04 88-01	GASKET		1	1
10	594 20 46-01	FUEL CAP		1	1
11	594 20 45-01	FUEL TANK		1	1
23	594 30 21-01	AIR FILTER	Delivered with outer and inner filter.	1	1
26	594 30 06-01	STARTER	Complete, Red, Valid up to engine serial number 1411005.	1	1
36	595 04 91-01	ROPE		1	26
37	594 20 48-01	STARTER	recoil *nh1*, Complete, Black, Valid from engine serial number 1411006.	1	1
47	595 04 91-01	ROPE		1	37

G LF 80 L / LF 80 LAT
BELT GUARD

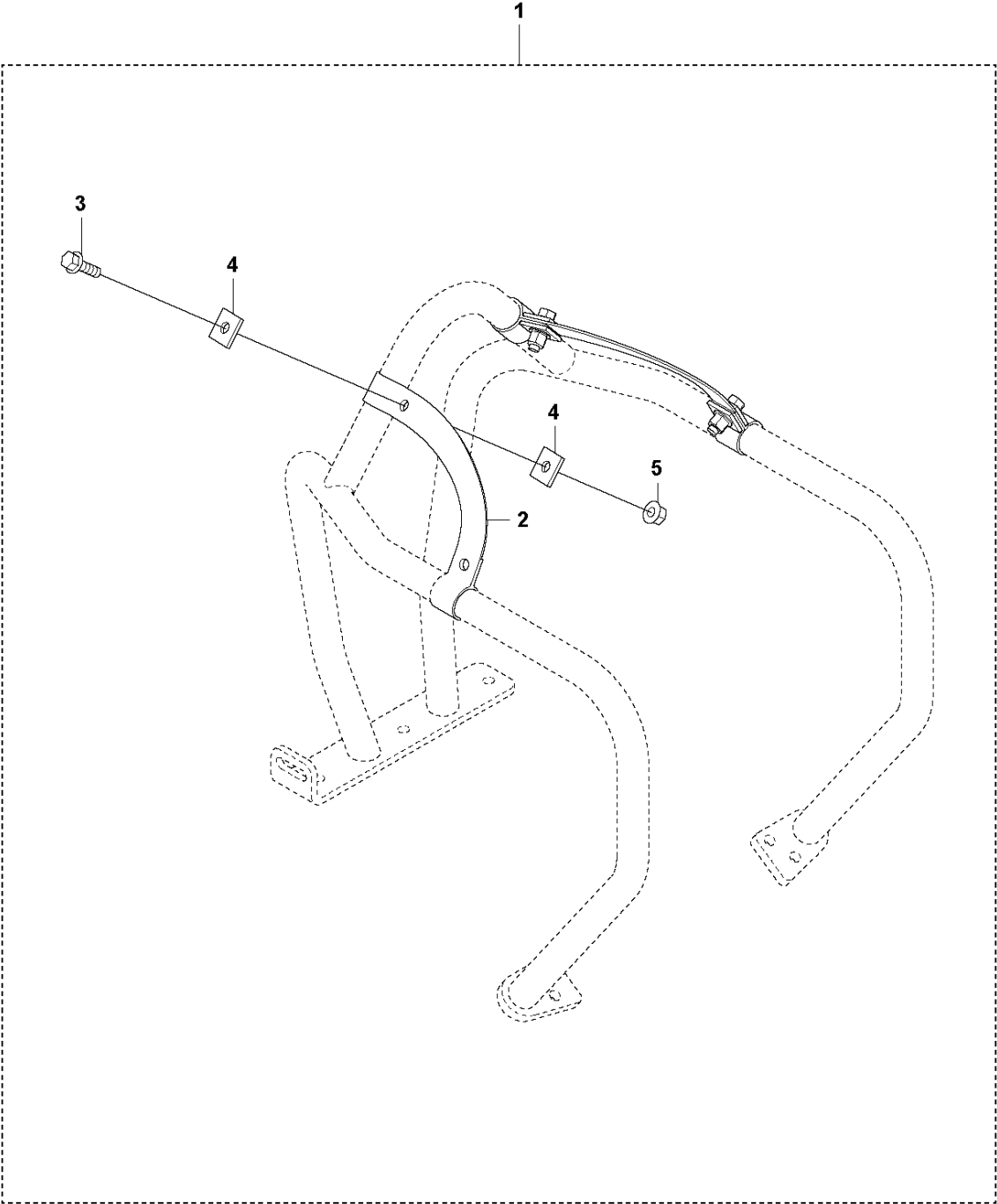


BELT GUARD

LF 80 L/LF 80 LAT, 967855001, 967855002, 2019-06

Ref	Part No	Description	Remark	QTY KIT
1	594 96 07-01	BELT GUARD	outer	1
2	594 48 31-01	BELT GUARD	inner	1
3	594 12 00-01	SCREW	M8 x 25 mm 8.8 A2K	1
4	594 12 30-01	LOCK NUT	M8 x 1.25 mm A2K	1
5	594 11 98-01	SCREW	FLANGE SCREW	3
6	594 64 80-01	SCREW	M8 x 25 mm 8.8 A2K	1
7	594 65 02-01	LOCKING SPRING		1
8	594 64 78-01	WASHER		3
9	595 28 73-01	SCREW	M8 x 20 mm 8.8 A2K	2

H LF 80 L / LF 80 LAT
FORK LIFTING DEVICE

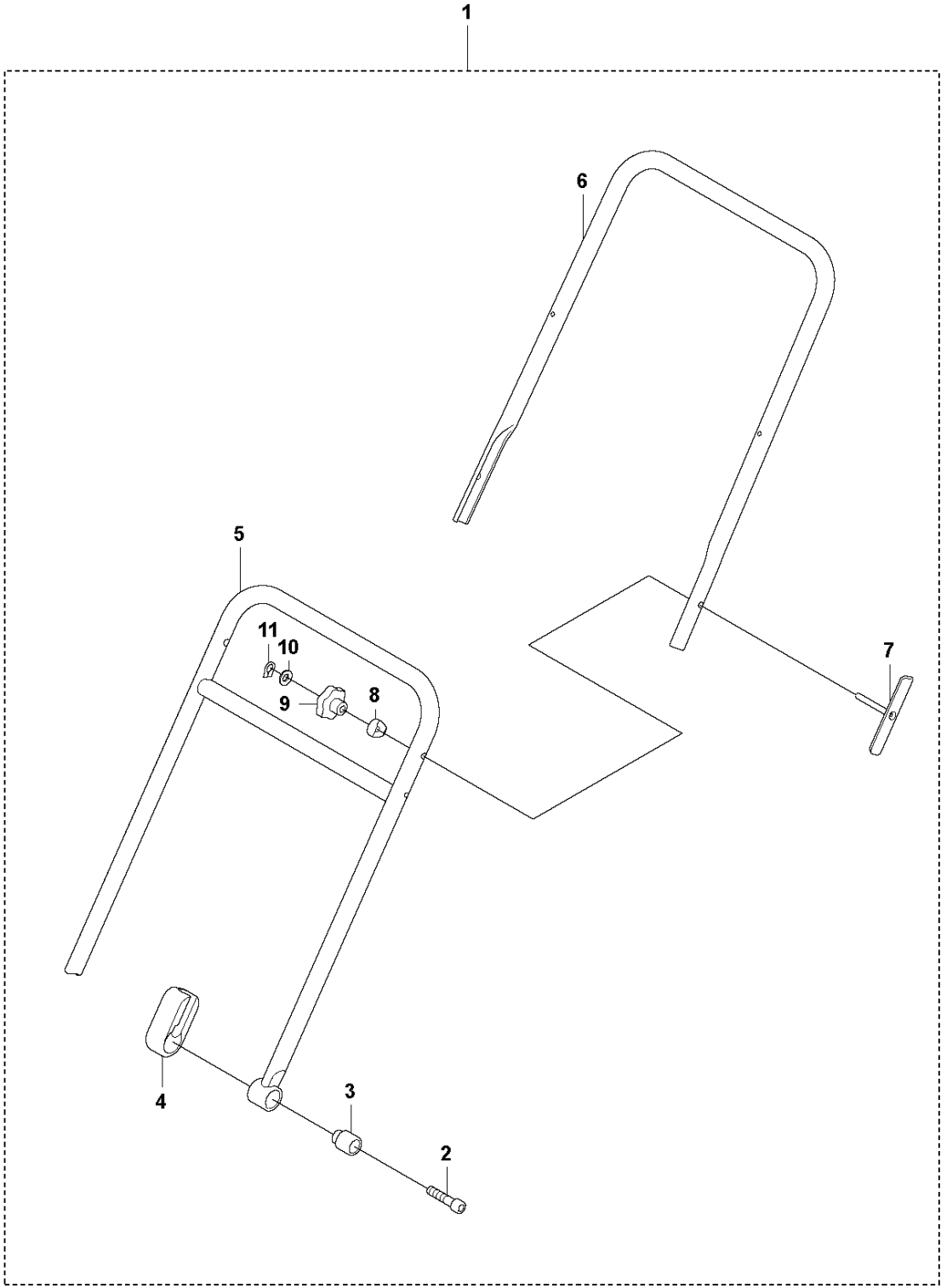


FORK LIFTING DEVICE

LF 80 L/LF 80 LAT, 967855001, 967855002, 2019-06

Ref	Part No	Description	Remark	QTY	KIT
1	595 50 31-01	FORK		1	
2	594 48 99-01	HANDLE		2	1
3	594 11 98-01	SCREW	m8x30	4	1
4	595 18 27-01	WASHER	washer 9x25x3	8	1
5	594 12 30-01	LOCK NUT	M08x1,25, -8, A2K	4	1

J LF 80 L / LF 80 LAT
HANDLE

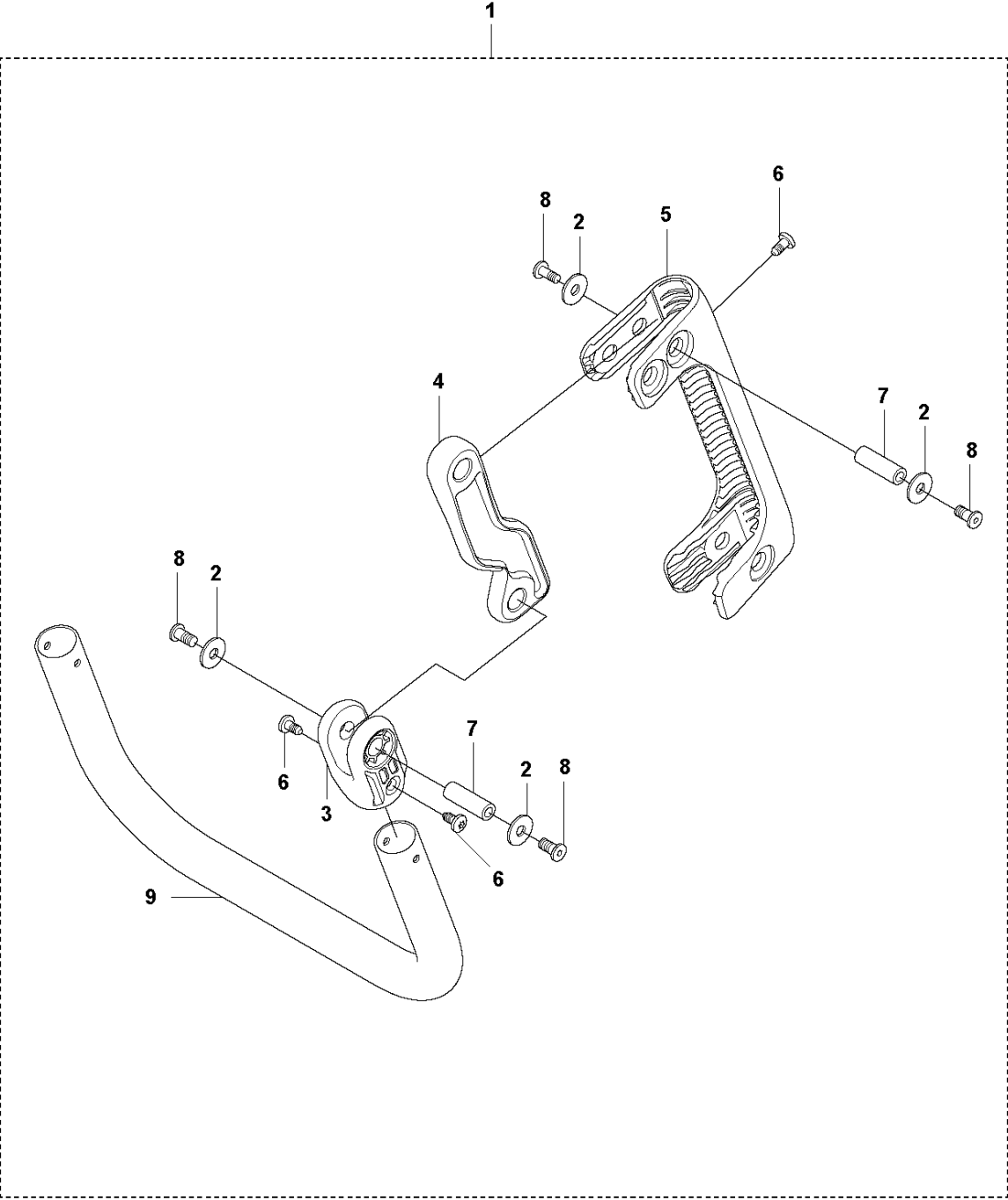


HANDLE

LF 80 L/LF 80 LAT, 967855001, 967855002, 2019-06

Ref	Part No	Description	Remark	QTY KIT	
1	594 76 11-01	HANDLE	Handle, complete		
2	595 07 16-01	SOCKET	M12 x 50 mm 8.8 A3K	2	1
3	594 65 47-01	SLEEVE		2	1
4	594 48 04-01	RADIATOR		2	1
5	594 65 40-01	HANDLE	Lower	1	1
6	594 65 41-01	HANDLE	Upper	1	1
7	594 65 44-01	BRACKET		2	1
8	594 65 42-01	SLEEVE		2	1
9	594 65 43-01	KNOB		2	1
10	594 12 38-01	PLANE WASHER	5,3x10x1 300HV	2	1
11	594 26 55-01	RING	4.8 x 7 x 0.6 mm, 0.18 x 0.26 x 0.02 in.	2	1

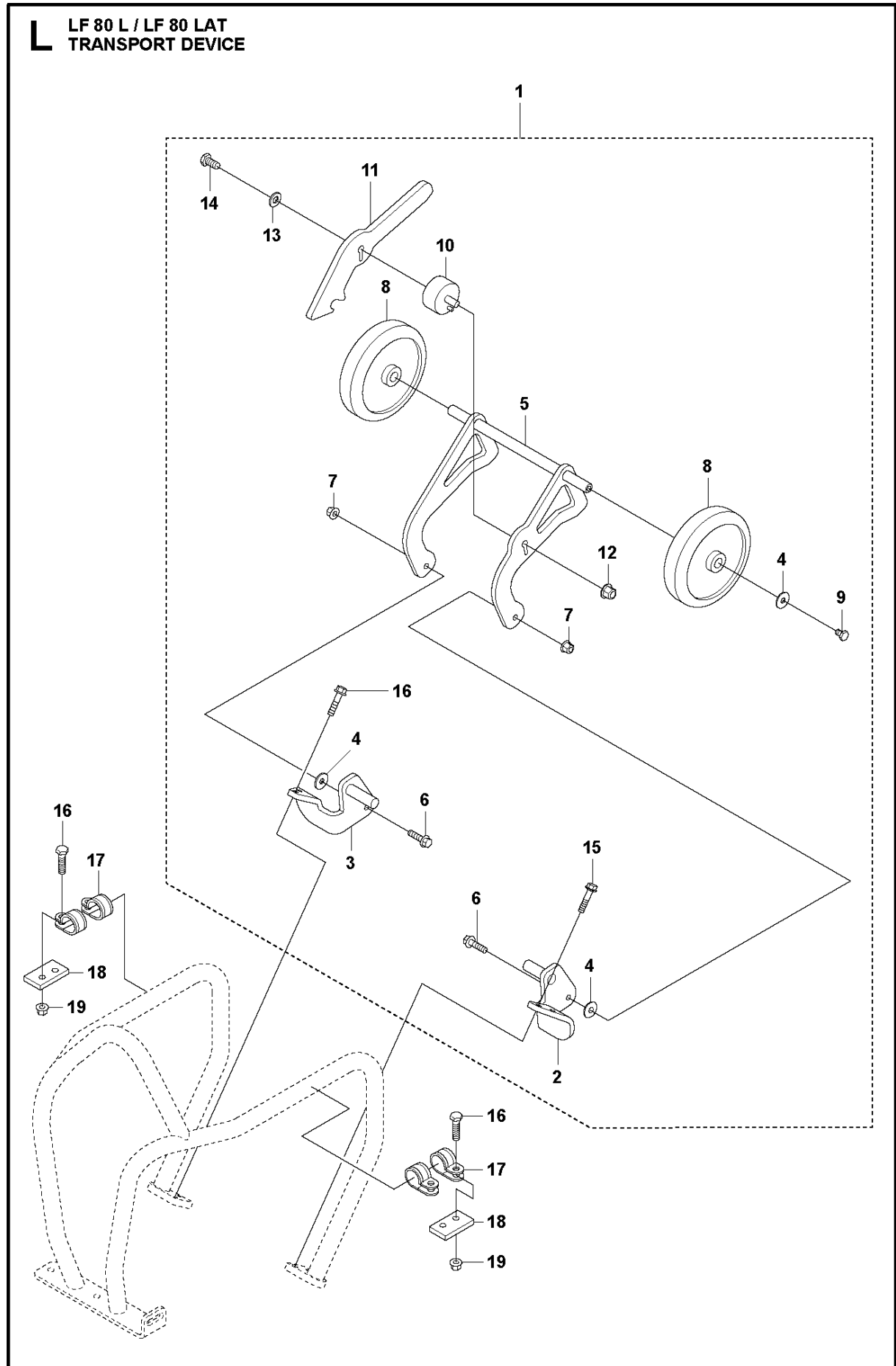
K LF 80 L / LF 80 LAT
VIBRATION DAMPED HANDLE



VIBRATION DAMPED HANDLE

LF 80 L/LF 80 LAT, 967855001, 967855002, 2019-06

Ref	Part No	Description	Remark	QTY	KIT
1	594 20 50-01	HANDLE	DEVIBRATED LF75-100	1	
2	594 52 66-01	WASHER	φ6.4/18.0x1.6	16	1
3	594 48 22-01	BRACKET		2	1
4	594 48 05-01	ABSORBER		2	1
5	594 48 21-01	BRACKET		2	1
6	594 52 50-01	SCREW	M5 x 10 mm A2K	8	1
7	594 52 47-01	NUT	M6 x 30 mm 8.8	8	1
8	594 52 67-01	SCREW	M6 x 12 mm 10.9 A2T	16	1
9	594 16 63-01	HANDLE		1	1

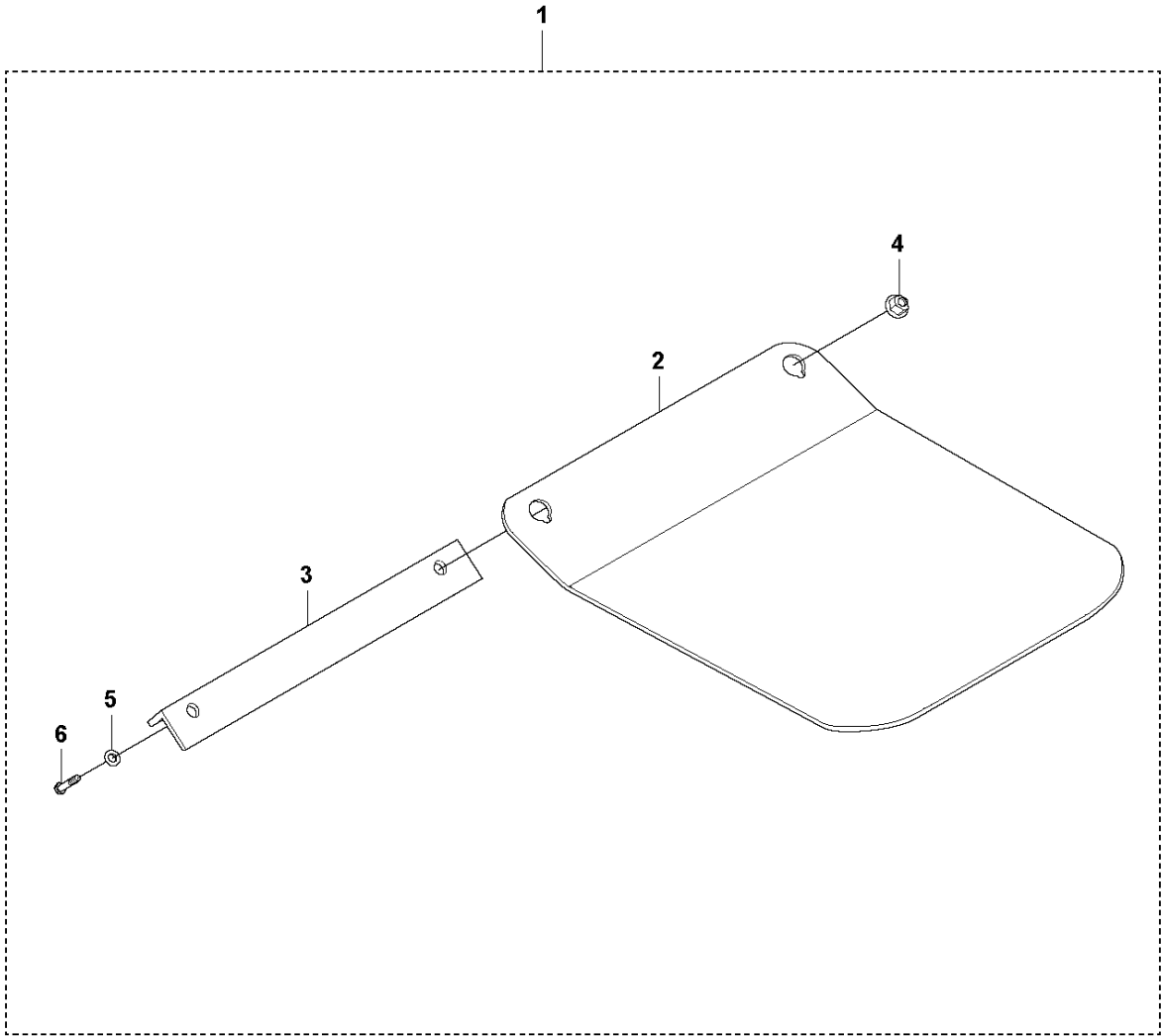


TRANSPORT DEVICE

LF 80 L/LF 80 LAT, 967855001, 967855002, 2019-06

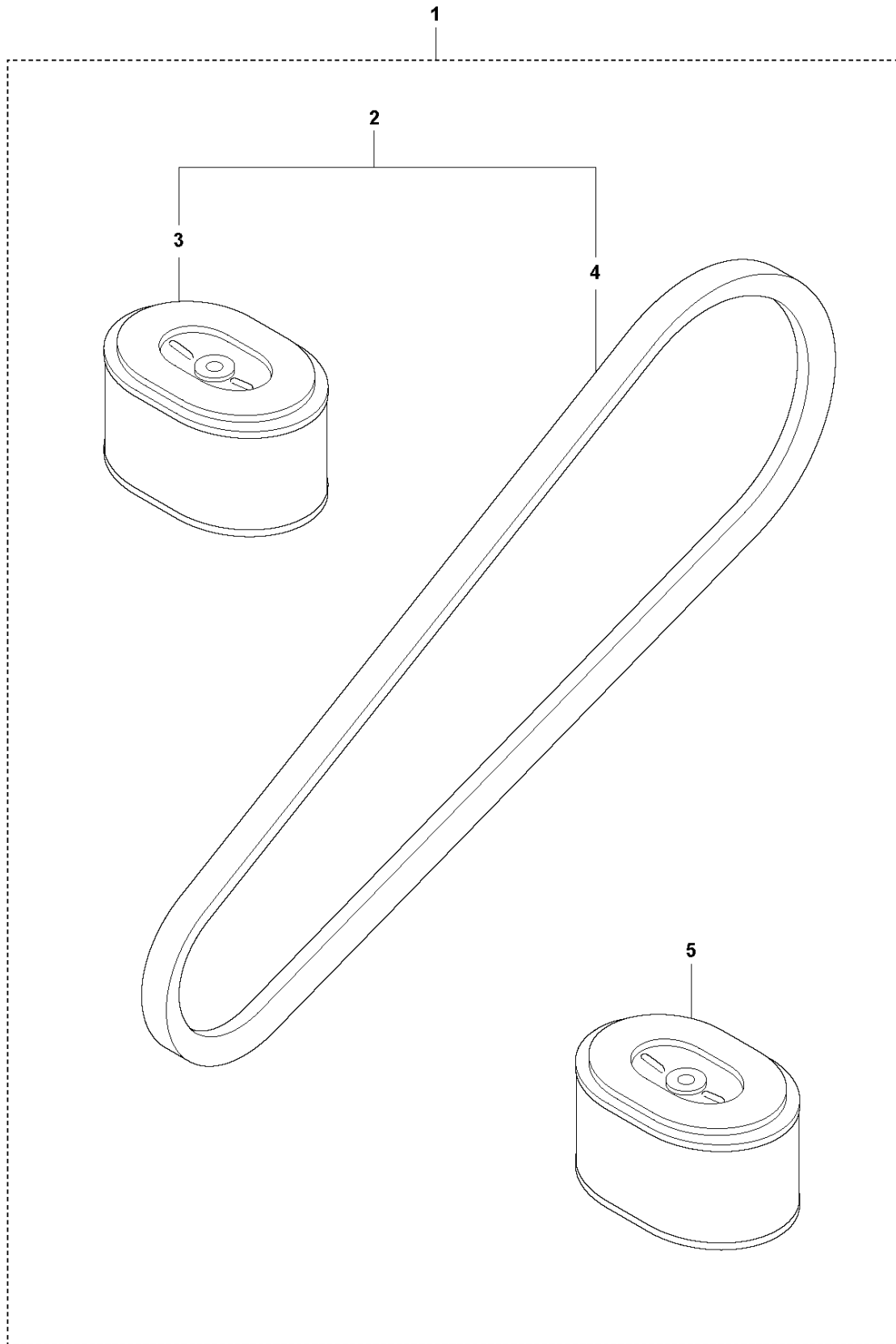
Ref	Part No	Description	Remark	QTY KIT
1	594 20 49-01	TRANSPORT GUARD	Transport device	1
2	594 64 87-01	BRACKET	Left	1
3	594 64 89-01	BRACKET	Right	1
4	595 06 10-01	WASHER	8,4x25x2 mm	4
5	594 64 88-01	FORK		1
6	594 11 98-01	SCREW	M8x30 mm 8.8 A2K	2
7	594 12 30-01	LOCK NUT	M8x1.25 mm A2K	2
8	594 45 55-01	WHEEL	WHEEL	2
9	596 88 97-07	SCREW	SCREW Hex. Head M6S M8x12 8.8 fzb	2
10	594 46 27-01	ABSORBER	shock absorber	1
11	594 65 10-01	HOOK		1
12	595 06 47-01	LOCK NUT	M10	1
13	594 74 74-01	WASHER	M10 10,5x22x2,0 300 HV	1
14	594 11 84-01	SCREW	M10x20 mm 8.8 A3K	1
15	594 12 00-01	SCREW	M8x25mm 8.8 A2K	4
16	595 46 63-01	SCREW	M06x025H, 8.8, A2K	4
17	595 06 85-01	CLAMP	22x6.4x15	4
18	594 64 60-01	STOP		2
19	595 11 26-01	NUT	M06x1,00, -8, A2K	4

M LF 80 L / LF 80 LAT
BLOCK PAVING PLATE 420 MM (16,5 IN.)



Ref	Part No	Description	Remark	QTY KIT	
1	594 86 81-01	BLOCK	Complete	1	
2	594 48 46-01	PLATE	"Polyurethane plate, 420 mm, 16.5""	1	1
3	594 48 47-01	BRACKET		1	1
4	594 12 30-01	LOCK NUT	M8 x 1.25 mm A2K	2	1
5	595 03 66-01	WASHER	M08 8,4x16x1,5 300 HV	2	1
6	594 52 25-01	SCREW	M8 x 75 mm 8.8 A2K	2	1

N LF 80 L / LF 80 LAT
START UP KIT

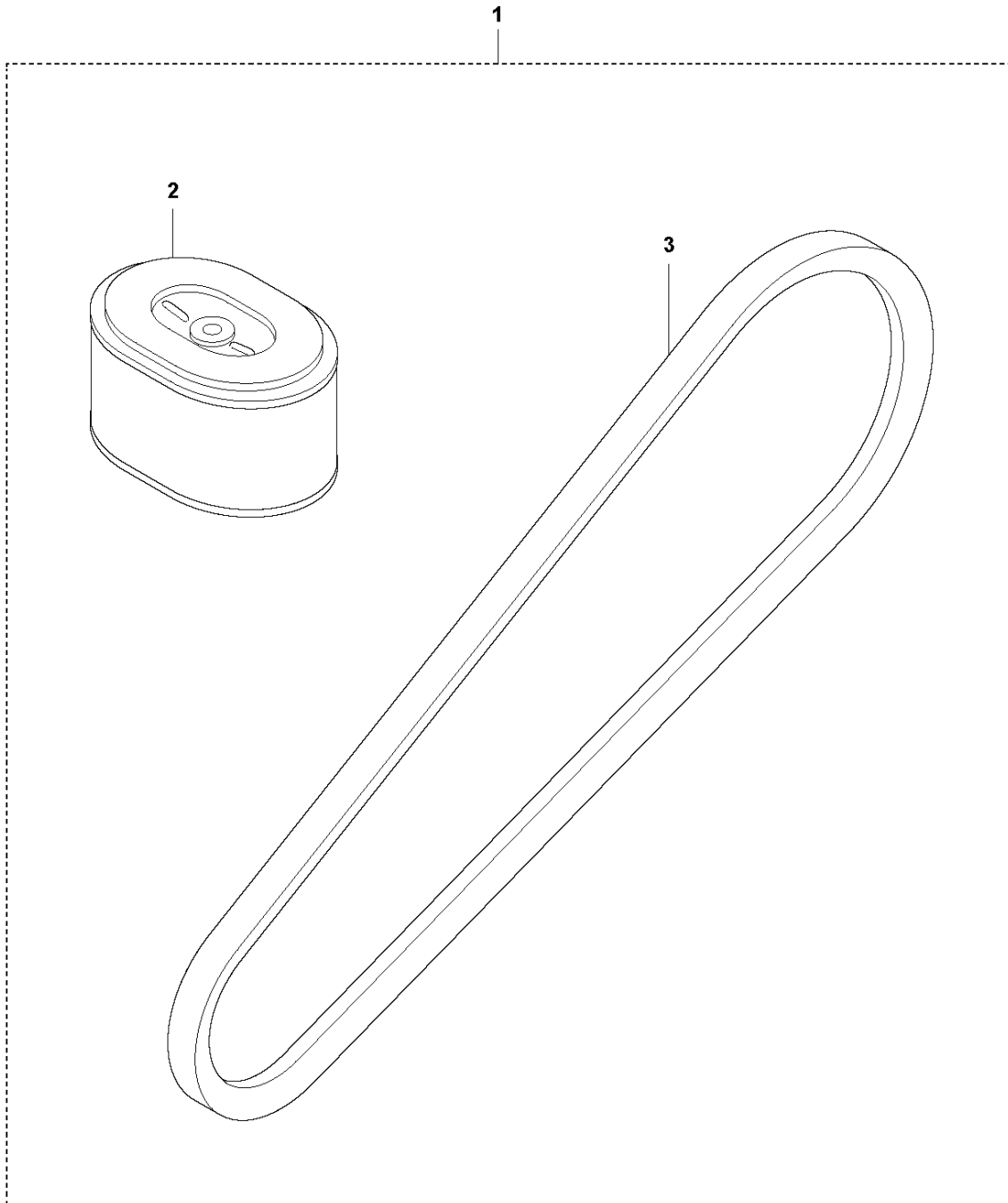


START UP KIT

LF 80 L/LF 80 LAT, 967855001, 967855002, 2019-06

Ref	Part No	Description	Remark	QTY KIT	
1	595 38 53-01	SERVICE KIT	Start up kit		
2	594 21 62-01	SERVICE KIT	12 months / 200 hours service kit	1	1
3	594 30 21-01	AIR FILTER		1	1, 2
4	594 48 88-01	V-BELT		1	1, 2
5	594 30 21-01	AIR FILTER		1	1

P LF 80 L / LF 80 LAT
12 MONTHS / 200 HOURS SERVICE KIT

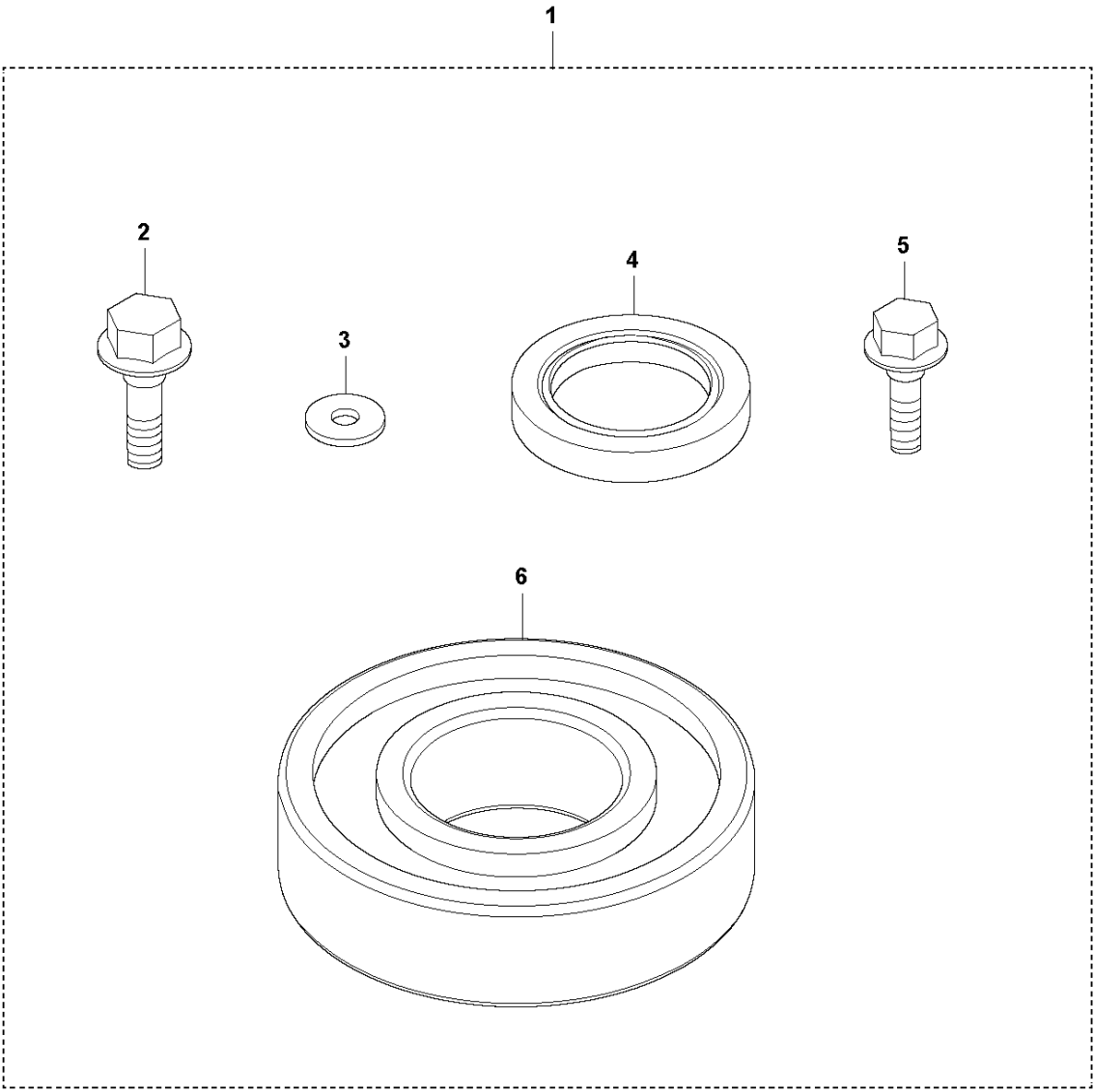


12 MONTHS / 200 HOURS SERVICE KIT

LF 80 L/LF 80 LAT, 967855001, 967855002, 2019-06

Ref	Part No	Description	Remark	QTY	KIT
1	594 21 62-01	SERVICE KIT		1	
2	594 30 21-01	AIR FILTER		1	1
3	594 48 88-01	V-BELT		1	1

Q LF 80 L / LF 80 LAT
ECCENTRIC ELEMENT REPAIR KIT

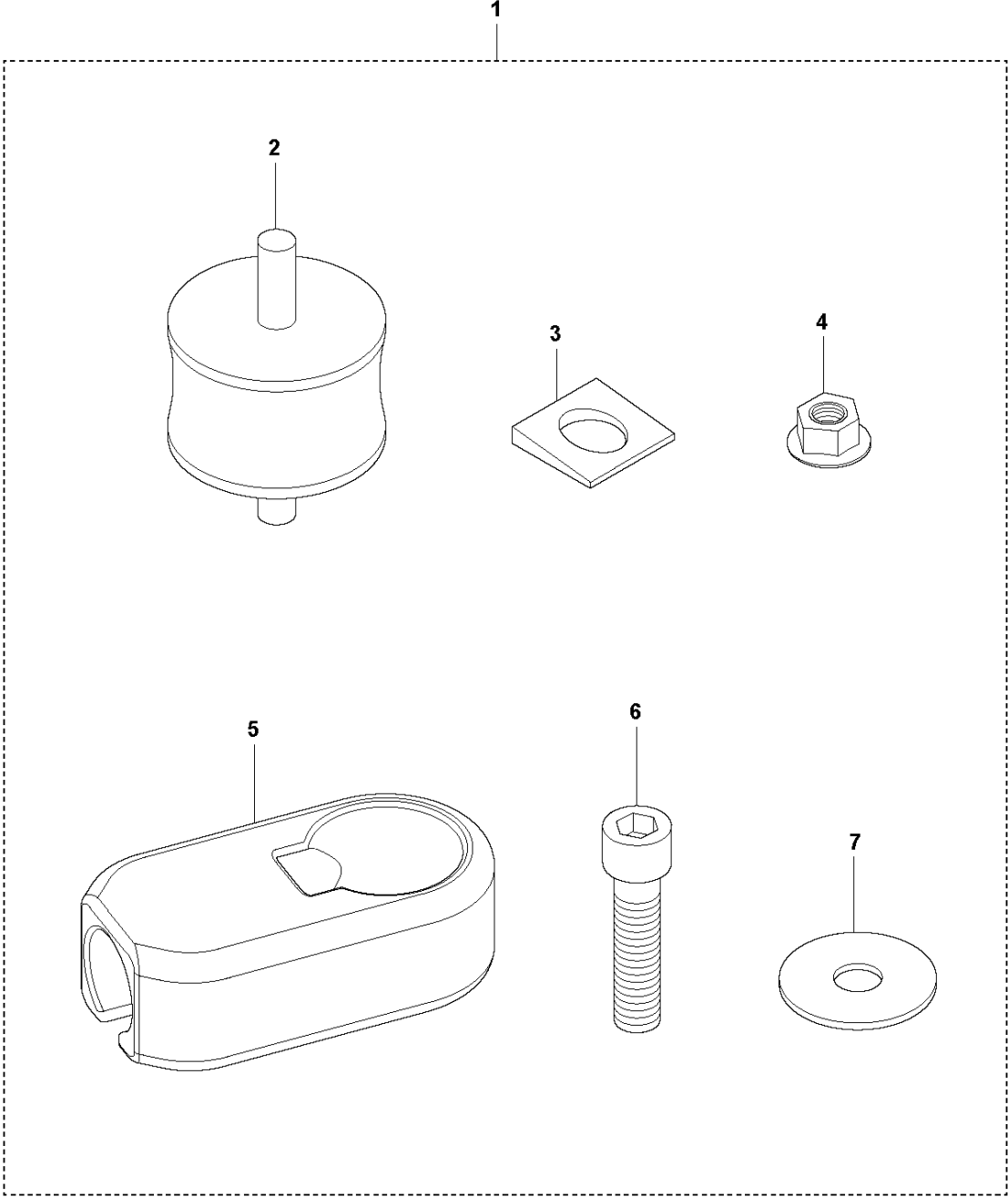


ECCENTRIC ELEMENT REPAIR KIT

LF 80 L/LF 80 LAT, 967855001, 967855002, 2019-06

Ref	Part No	Description	Remark	QTY KIT	
1	594 19 44-01	REPAIR KIT		1	
2	594 12 00-01	SCREW	M08x025H, 8.8, A2K	1	1
3	594 12 34-01	WASHER	M08 8,4x22x3,0 300 HV	1	1
4	594 12 83-01	SEAL		1	1
5	594 52 33-01	SCREW	M06x16, 8.8, A2K	6	1
6	594 52 61-01	BALL BEARING		2	1

R LF 80 L / LF 80 LAT
SHOCK ABSORBER REPAIR KIT



SHOCK ABSORBER REPAIR KIT

LF 80 L/LF 80 LAT, 967855001, 967855002, 2019-06

Ref	Part No	Description	Remark	QTY KIT	
1	594 19 46-01	REPAIR KIT		1	
2	594 34 19-01	ABSORBER		4	1
3	594 52 64-01	WASHER	M10 22x22x4.6 dia,11 DIN 435	4	1
4	594 12 26-01	HEXAGON NUT	M10x1,50,-8,A3K STD215 ISO4161	8	1
5	594 48 04-01	RADIATOR		2	1
6	594 53 00-01	SCREW	M12x50, 8.8, A3K	2	1
7	594 83 85-01	WASHER	022x10,5x4,0, S355JR, UNTR	4	1

S LF 80 L
GOLD KIT

1

1	595388002	Gold Kit LF 80	
Ground Plate and Eccentric System			
2	Eccentric System	Eccentric Element Repair Kit	1
3		V-Belt Pulley	1
4		Screw	6
5		Lock Washer	6
6		Shock absorber repair kit	1
Cosmetic Kit			
7	Covers	Cover	1
8		Belt guard, outer	1
9		Screw	3
10		Nut	1
11		Screw	3
12		Screw	1
13		Lock spring	1
14		Washer	3
15		Screw	2
16		Handle	Handle Kit
17	Labeling	Product Label Kit	1
Engine			
18	Service Kit	Yearly Service Kit	1

GOLD KIT

LF 80 L/LF 80 LAT, 967855001, 967855002, 2019-06

Ref	Part No	Description	Remark	QTY KIT
1	595 38 80-02	SERVICE KIT	Gold Kit LF 80 L HVA	1

T LF 80 L / LF 80 LAT
SILVER KIT

1

1	594219101	Silver Kit LF 80	
Ground Plate and Eccentric System			
2	Eccentric System	Eccentric Element Repair Kit	1
3		V-Belt Pulley	1
4		Screw	6
5		Lock Washer	6
6		Shock absorber repair kit	1
Engine			
7	Service Kit	Yearly Service Kit	1

SILVER KIT

LF 80 L/LF 80 LAT, 967855001, 967855002, 2019-06

Ref	Part No	Description	Remark	QTY KIT
1	594 21 91-01	SERVICE KIT	Silver Kit LF 80 L & LAT HVA	1

U LF 80 L
COSMETIC KIT

1

1	595386302	Cosmetic Kit	
2	-	Cover	1
3	-	Belt guard, outer	1
4	-	Screw	3
5	-	Nut	1
6	-	Screw	3
7	-	Screw	1
8	-	Lock Spring	1
9	-	Washer	3
10	-	Screw	2
11	Handle	Handle Kit	1
12	Labeling	Product Label Kit	1

COSMETIC KIT

LF 80 L/LF 80 LAT, 967855001, 967855002, 2019-06

Ref	Part No	Description	Remark	QTY KIT
1	595 38 63-02	SERVICE KIT	Cosmetic Kit LF 80 L HVA	1

V LF 80 LAT
GOLD KIT

1

1	595388102	Gold Kit LF 80 LAT		
Ground Plate and Eccentric System				
2	Eccentric System	Eccentric Element Repair Kit	1	
3		V-Belt Pulley	1	
4		Screw	6	
5		Lock Washer	6	
6		Shock absorber repair kit	1	
Cosmetic Kit				
7	Covers	Belt guard, outer	1	
8		Screw	3	
9		Nut	1	
10		Screw	3	
11		Screw	1	
12		Lock spring	1	
13		Washer	3	
14		-	Screw	2
15		-	Sprinkler Water System	1
16		Handle	Handle Kit	1
17		Labeling	Product Label Kit	1
Engine				
18		Engine parts	Yearly Service Kit	1

GOLD KIT

LF 80 L/LF 80 LAT, 967855001, 967855002, 2019-06

Ref	Part No	Description	Remark	QTY KIT
1	595 38 81-02	SERVICE KIT	Gold Kit LF 80 LAT HVA	1

W LF 80 LAT
COSMETIC KIT

1

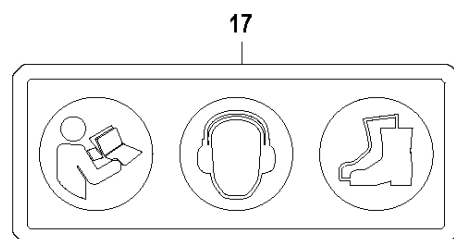
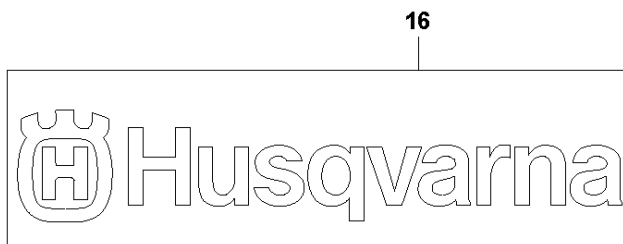
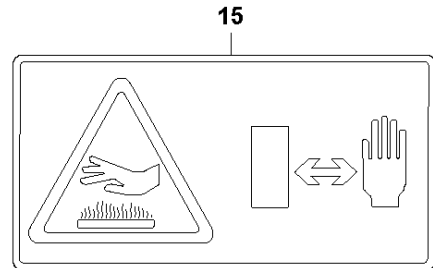
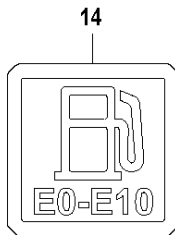
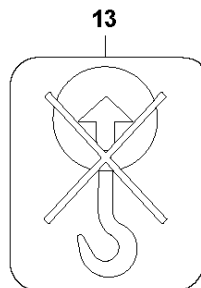
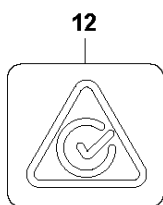
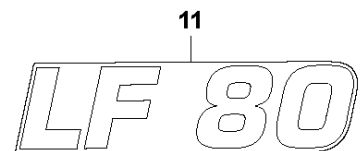
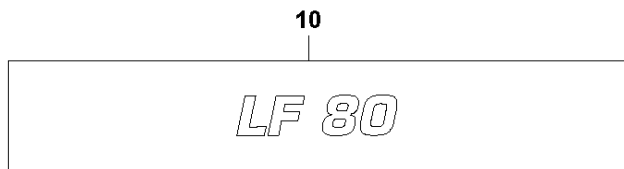
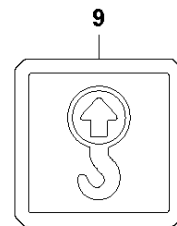
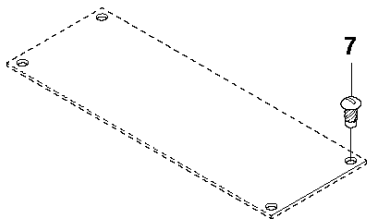
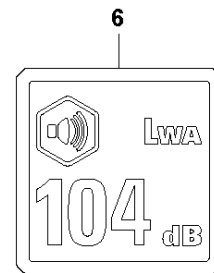
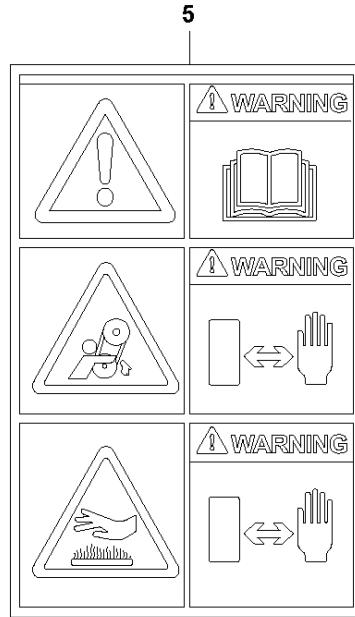
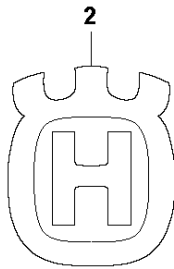
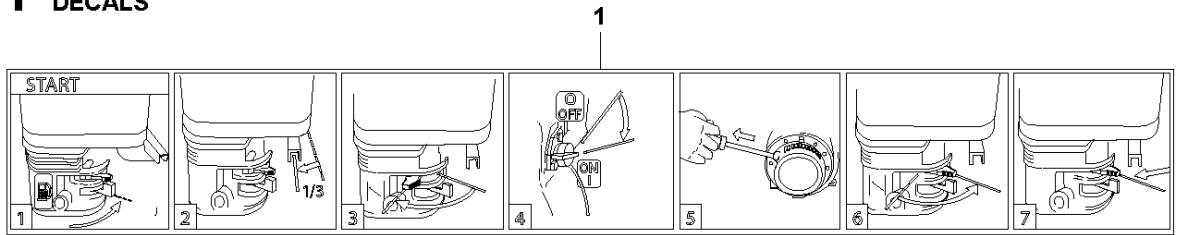
1	594215802	Cosmetic Kit	
2	-	Belt guard, outer	1
3	-	Screw	3
4	-	Nut	1
5	-	Screw	3
6	-	Screw	1
7	-	Lock Spring	1
8	-	Washer	3
9	-	Screw	2
10	-	Sprinkler Water System	1
11	-	Handle Kit	1
12	-	Product Label Kit	1

COSMETIC KIT

LF 80 L/LF 80 LAT, 967855001, 967855002, 2019-06

Ref	Part No	Description	Remark	QTY KIT
1	594 21 58-02	SERVICE KIT	Cosmetic Kit LF 80 LAT HVA	1

Y LF 80 L / LF 80 LAT
DECALS



DECALS

LF 80 L/LF 80 LAT, 967855001, 967855002, 2019-06

Ref	Part No	Description	Remark	QTY KIT
1	594 48 62-01	DECAL		1
2	574 38 21-01	DECAL	DECAL HUSQVARNA CROWN	1
5	594 48 63-01	DECAL		1
6	595 51 32-02	LABEL	LABEL Sound level Noise 104dB 40x40mm	1
7	595 18 02-01	SCREW		4
9	594 66 09-01	LABEL	LABEL Lifting Point	2
10	595 09 46-01	DECAL	DECAL LF 80 Model Code (HV for belt cover 158,4x24,4mm)	1
11	595 90 05-01	DECAL	LF 80	1
12	596 28 02-01	DECAL	DECAL Compliance RCM	1
13	594 48 33-01	DECAL	No Lifting Point 45x45 mm	1
14	594 66 02-01	LABEL	Gasoline decal	1
15	595 18 61-01	DECAL	safety label -hot surfaces	1
16	595 09 42-01	DECAL	Husqvarna logo	1
17	594 65 96-01	LABEL	safety decal	1