



ZERO TAIL MINI EXCAVATOR

M-55U M-60U



FEATURES

- Mini excavator **Zero Tail Swing**.
- Suspension and adjustable operator's seat increases productivity by providing optimum comfort.
- Travel levers and servo-controls disabling system by armrest lifting prevents accidents due to unexpected machine movement during entry or exit from the driving place.
- Pilot assisted controls (joy-sticks) to operate arms and buckets.

STANDARD EQUIPMENT: Cab with heating system according to TOPS norms - Standard bucket of mm 600 (SAE capacity lt. 157) - 2-speeds travel electric switch - Hydraulic PowerTake-Off (P.T.O.) - Automatic transmission system.

- Monoboomb on M-55U.
- Articulated boom and extra-ballast on M-60U.

OPTIONAL EQUIPMENT: Buckets of mm from 300 to 1000 standard, for rocks and for Quick Hitches - Buckets for slopes standard or swivelling - Buckets for cleaning - Mechanical or hydraulic Quick Hitches - Hydraulic breaker - Hand breaker - Hydraulic drill - Grass-brush cutter - Steel tracks - 1850 mm longer arm - Air conditioning.

TECHNICAL DATA

ENGINE

- Make and model		Kubota V2403M-T TURBO
- Max power at 2700 rpm (DIN 6271)	HP/Kw	59 / 44
- Rated horse power at 2200 rpm	HP/Kw	52 / 38
- Cylinders	N°	4
- Displacement	cm ³	2434
- Cooling		water
- Battery	N°	1 - 12 V - 105Ah

RAVITAILLEMENTS

- Fuel tank capacity	lt	80
- Hydraulic oil tank capacity	lt	50

TECHNICAL DATA

HYDRAULIC SYSTEM

- Hydrostatic transmission with piston motors and planetary reduction gears with negative brakes and automatic shift.		
- Travelling counter-balance valves.		
- N.2 variable displacement piston pumps + N. 1 gear pump	Lt/min	60 x 2 + 45
- Total delivery	Lt/min	165
- Auxiliary hydraulic flow for (P.T.O.)	Lt/min	105
- Max working pressure	bar	250/220
- Slew speed (with piston motors and negative brake)	g/min	9.0
- Hydraulic servo-controlled joystick to operate bucket, arms, slew.		
- Hydraulic servo-controlled pedals for driving, off-setting and simple/double effect PowerTake Off; lever control for the refilling blade.		
- Combined radiator for water and oil.		

UNDERCARRIAGE

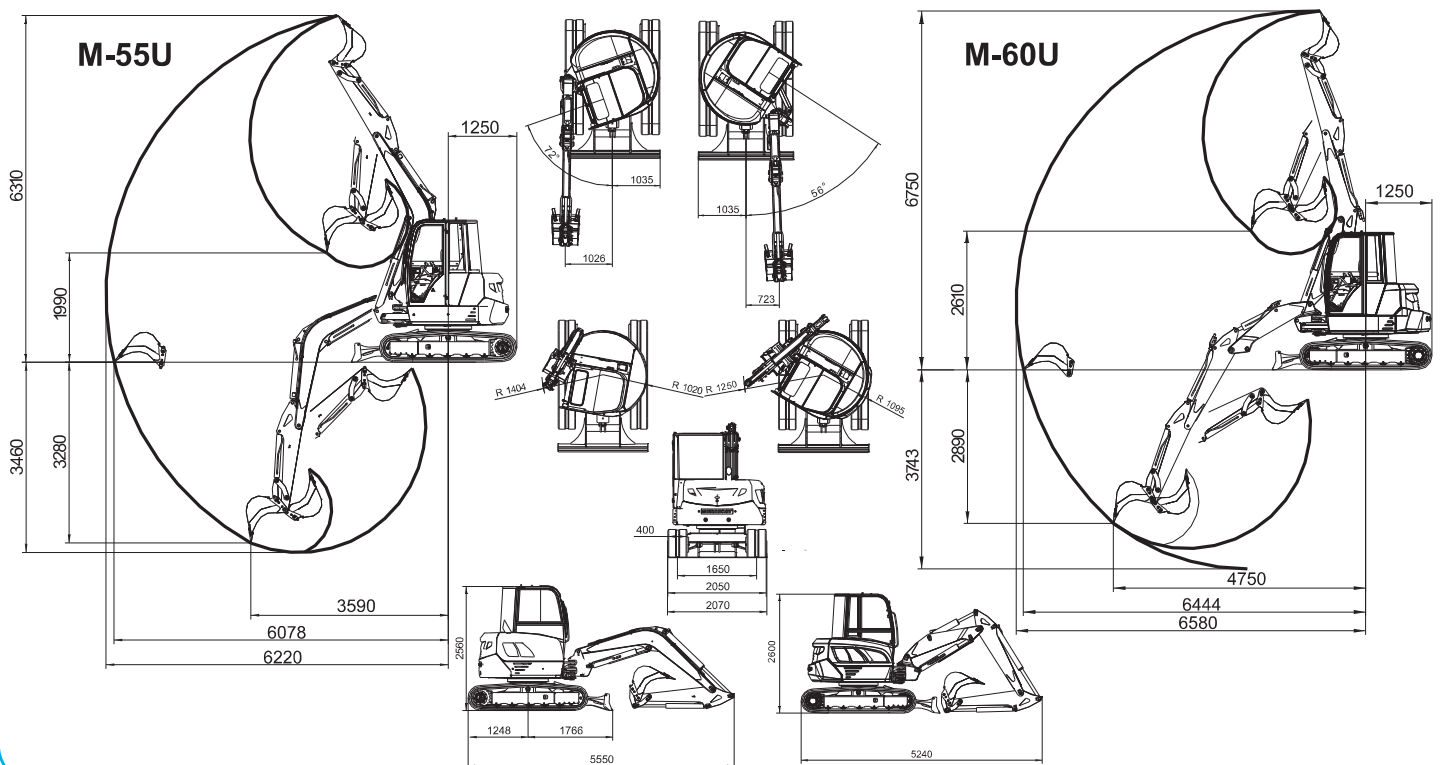
- Track type and width	mm	rubber 400
- Track bearing rollers	N°	5+5 low/1+1 up grease
- Track tensioning		
- Dozer blade	mm	370 x 2070

PERFORMANCES

		M-55U	M-60U
- Shipping weight	Kg	5100	5600
- Operating weight	Kg	5250	5750
- Break out force	daN	3970	3970
- Digging force	daN	2900	2900
- Travel speed	Km/h	2.7 / 4.7	2.7 / 4.7
- Max gradient capability	over %	100	100
- Specific ground pressure	Kg/cm ²	0.330	0.330

DIMENSIONS AND PERFORMANCES

Dimensions in mm



MESSERSI' s.p.A.

Via Arcevese, 44 - 60010 CASINE di OSTRA (AN) Italy Tel.071.688771 r.a. - Fax 071.688586
 Web: www.messersi.it E-mail: export@messersi.it

Data, features and pictures are not binding and may be altered without any notice.



90060124