



ZERO TAIL SWING
MINIEXCAVATOR

M-38U



 **MESSERSINI** S.p.A.
IL GIGANTE BLU

Azienda certificata



FEATURES

- Innovative design with the tail always remaining within the width of the tracks (**Zero Tail Swing**).
- Suspension and adjustable operator's seat increases productivity by providing optimum comfort.
- Travel levers and servo-controls disabling system by armrest lifting prevents accidents due to unexpected machine movement during entry or exit from the driving place.
- Extraordinary manoeuvrability due to the use of pilot assisted controls (joy-sticks) to operate arms and buckets.
- Straight travel contemporary with all arms/bucket manoeuvring.
- Rollers and idler wheels with rolling bushing replacing the slithering bushes for a remarkable increasing in the traction and life time performances.
- The round shape design recalls the other models of the range, thus creating a continuity of style and image.

STANDARD EQUIPMENT: Canopy according to TOPS-FOPS norms - Standard bucket of mm 450 (SAE capacity lt. 64) - 2-speeds travel electric switch - Oil recovering system on dipstick arm - 1350 mm. Long dipstick - Hydraulic Power Take-Off (**P.T.O.**) - Operator's and spare parts manuals.

OPTIONAL EQUIPMENT: Buckets of mm 250, 350, 450, 500 standard, for rocks and for Quick Hitches - Buckets for slopes standard or swivelling - Buckets for cleaning - Mechanical or hydraulic Quick Hitches - Hydraulic breaker - Hand breaker - Hydraulic drill - Grass-bush cutter - Steel tracks - 1700 mm longer arm - Cab with heating system according to TOPS norms - Air conditioning - angled dozer blade

TECHNICAL DATA

ENGINE:

- Make and model		Kubota D1703M
- Max power at 2800 rpm (DIN 6271)	HP/Kw	35/26
- Rated horse power at 2200 rpm	HP/Kw	32/24
- Cylinders	N°	3
- Displacement	cm ³	1647
- Cooling		water
- Battery	N°	1 - 12 V - 65 Ah

TECHNICAL DATA

HYDRAULIC SYSTEM:

- Hydrostatic transmission with orbital motors and planetary reduction gears with negative brakes.
- Travelling counter-balance valves.
- N.2 variable displacement piston pumps + gear pump
- Total delivery
- Auxiliary hydraulic flow for **P.T.O.**
- Max working pressure
- Slew speed
- (with piston motors and negative brake)
- Boom, arm, bucket and slew actuated by servo-controlled joysticks.
- Levers to control track and dozer blade; pedals to control boom swing and single and double effect P.T.O.
- Heat exchanger for oil cooling.

UNDERCARRIAGE:

- Box section steel frame
- Track type and width
- Track bearing rollers
- Track tensioning
- Dozer blade

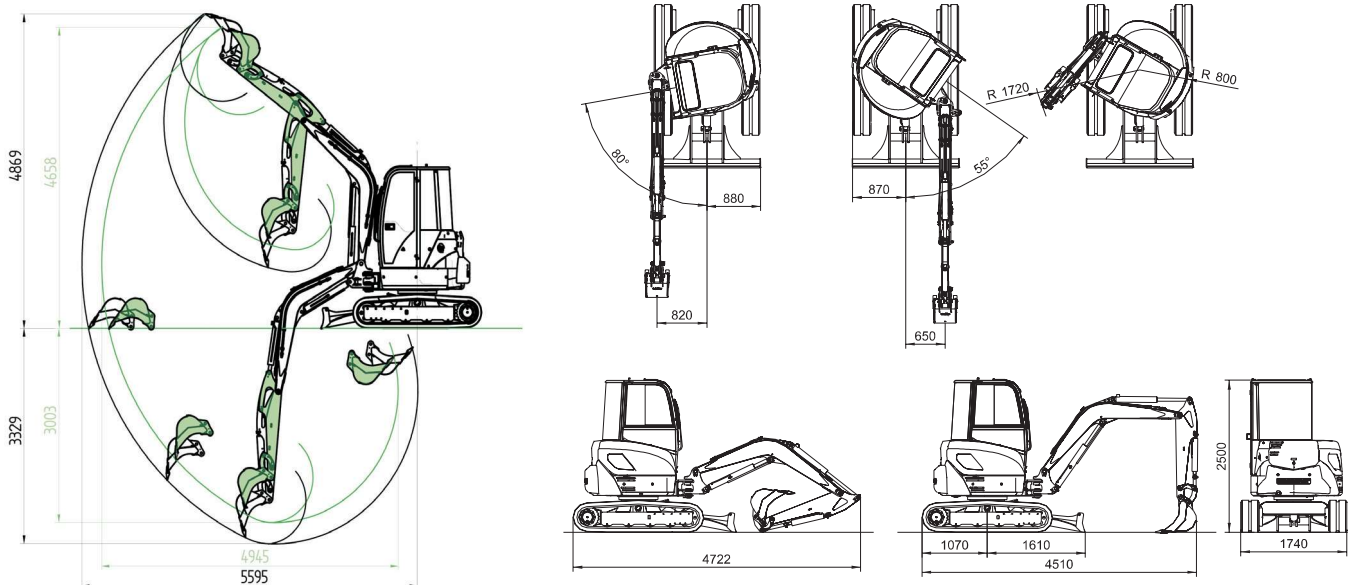
PERFORMANCES:

- Shipping weight with canopy
- Operating weight with canopy
- Shipping weight with cab
- Operating weight with cab
- Break out force
- Digging force
- Travel speed
- Max gradient capability
- Specific ground pressure

REFUELLING:

- Fuel tank capacity
- Hydraulic oil tank capacity

DIMENSIONS AND PERFORMANCES



Data, features and pictures are not binding and may be altered without any notice.

MESSERSI' S.p.A.

Sede Legale: Via Thomas Edison, 6
60027 OSIMO (AN) Italy
Sede Amm. E Stab.: Via Arcevese, 44
60010 CASINE di OSTRÀ (AN) Italy
Tel. 071.688771 r.a. - Fax 071.688586
Web: www.messersi.it
E-mail: messersi@messersi.it



90060105