

# IMPACT 230

## Compact forward/reverse vibratory plate

The IMPACT 230 is a compact forward/reverse vibratory plate with excellent compaction data. Speed and compaction depth are regulated seamlessly via hydraulic servo control of the Excentric element. This gives the plate smooth motion and makes it very easy to operate. All-round plates for compaction work close to piles and concrete bases. Perfect for floor filling and foundations as well as backfill in pipe trenches.

IMPACT 230 is an ideal plate for compacting sand and gravel in cable and pipe trenches, foundation work, road repairs, etc.

## FEATURES AND BENEFITS

- Lifelong lubricated bearings for extended service life.
- Exciter bearing design requires minimal maintenance for improved productivity.
- Strong V-belt cover.
- 30 kN excentric element.
- Convenient single lifting point.
- Standard engine: Honda 4-stroke or Hatz Diesel.
- Engine with oil alert on all models.
- Option: electric start.
- Low hand vibration handle.

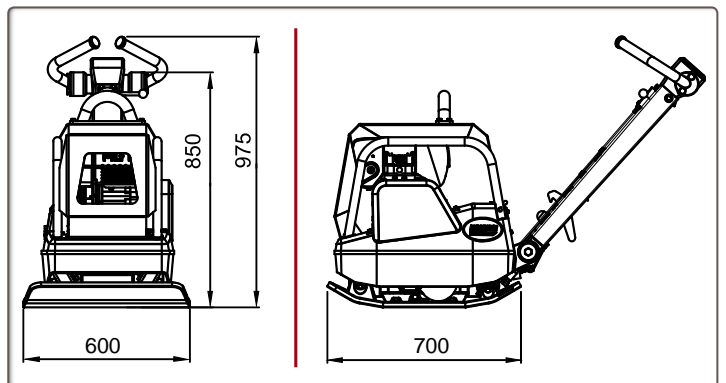


Powered by



POWERED BY  
**HONDA**  
norm SAE J1349

Moulded bottom plate



## Electric model



Handle with integrated electric starter box

| Model   | IMPACT230   |           |           |            |
|---|-------------|-----------|-----------|------------|
|   | Code        | IMP200H   | IMP200D   | IMP230DEHS |
| Engine  | Honda GX270 | Hatz 1B20 | Hatz 1B20 | Hatz 1B20  |
| Plate dimensions L x W (mm)                       | 700 x 500   | 700 x 500 | 700 x 500 | 700 x 500  |
| Operating weight (kg)                             | 217         | 230       | 238       | 238        |
| Centrifugal force (kN)                            | 30          | 30        | 30        | 30         |
| Operating speed (m/min)                           | 21          | 21        | 21        | 21         |
| Compacted area (m <sup>2</sup> /h)                | 700         | 630       | 630       | 630        |
| Frequency (Hz)                                    | 90          | 90        | 90        | 90         |
| Engine power hp (kW)                              | 8,5 (6,3)   | 4,6 (3,5) | 4,6 (3,5) | 4,6 (3,5)  |
| Start   | Manual      | Manual    | Manual    | Electric   |
| Vibrations* m/sec <sup>2</sup> /utilisation (hrs) | 3,5/4,33    | 3,5/4,33  | 3,5/4,33  | 3,5/4,33   |

\* Minimum vibration levels measured to EN500-4