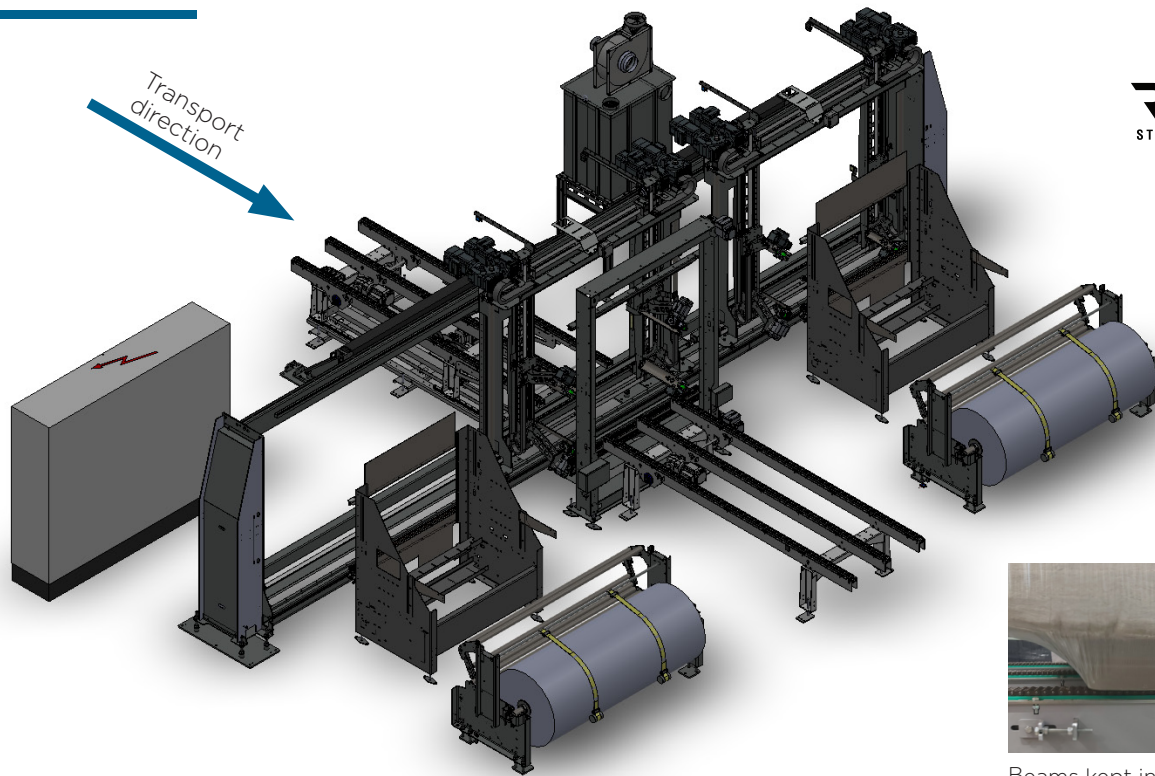


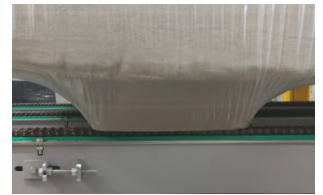
Application note: wool005

Packaging of mineral wool on beams

XL Duplex D2



RoRo
STRETCH PACK



Beams kept in position by the stretch film (no strapping)

Packaging solution for primary packaging of mineral wool on beams

This RoRo StretchPack® solution is for automated packaging of mineral wool panels on beams made of mineral wool. The solution includes a movable infeed and an outfeed conveyor to hold the beams during the packaging process. The panels on beams are packed in a tight tubular stretch film, and the beams are kept in position only by the film (no strapping). The packaging is sealed at each end for full waterproof six-sided packaging.

The RoRo StretchPack® machine is an XL Duplex with two film units. The gripper units are with long gripper arms for the maximum amount of film. The back sealing unit enables "semiflow" packaging.

This specific customer application is designed for the product size (incl. beams): W: 1200 mm, H: 1000-1300 mm, L: 2000 mm. Using a 100µ film the capacity is 150 packs per hour*).

The two film stands are equipped with automatic adjustment of braking power, to ensure an optimal film flow during packaging.

Features and benefits

- Six-sided sealed packaging
- Beams kept in position by the film (no strapping)
- High uniformity and repeatability
- Automatic packaging and sealing in one operation
- Automatic packaging multiple product sizes
- Energy-saving technology - replaces heat shrink
- Film reductions by up to 60%
- Product dimensions
 - Width: Up to 1350 mm
 - Height: Up to 1385 mm
 - Length: 1250 - 10.000 mm
- High uptime - reduced number of film roll changes
 - Up to 8 km of PE-film per film roll ø800 mm at 30µ,
 - Up to 12 km of PE-film per film roll ø1000 mm at 30µ,
- Packaging with PE-film thickness 30-120µ
- Film stands with automatic adjustment (optional)

*)) Higher capacity possible, please contact Tentoma.

Inline packaging of mineral wool on beams XL Duplex D2

Machine specifications

- Film Unit XL (100-10015)
- Main Frame S2 XL (110-10077)
- Gripper Unit XL (110-10132)
- Back Sealing Unit XL Semiflow (100-10018)
- 2 x film stand XL wide (110-10091) with automatic adjustment of braking power (optional)
- Movable infeed conveyor
- Outfeed conveyor
- Vacuum unit (110-10087) (Optional)
- Electrical cabinet with HMI interface

