



# SPACE L

Space L is an alternative to classic conference rooms. It can be used for informal meetings, as well as, for longer gatherings. A beautiful design and best-in-class acoustic properties make it a refined symbiosis of style, craftsmanship and performance – everything that characterizes Spaces by MuteDesign®.

# Acoustic properties

# Dimensions

## Function



Isolation

Width	external 2200 mm / internal 2000 mm
Depth	external 1300 mm / internal 1192 mm
Height	external 2247 mm* / internal 2080 mm
External depth with open door	2200 mm
Weight net	650 kg, 17kg sofa without armrest; 23kg sofa with armrest
Weight gross	850 kg (including wooden case and packaging parts)

\*Height from the floor + 20 mm adjustment on feet to level out the pod.

## Acoustic performance



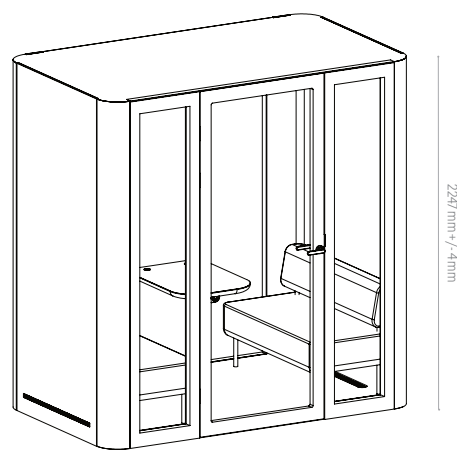
Low tones



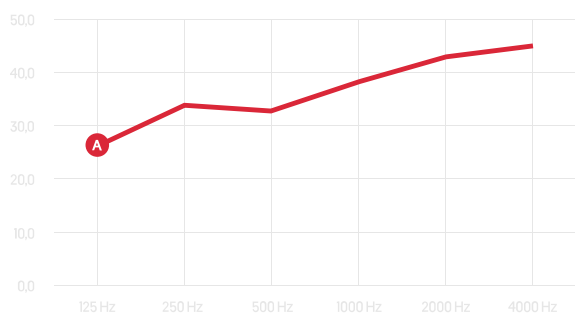
Mid tones



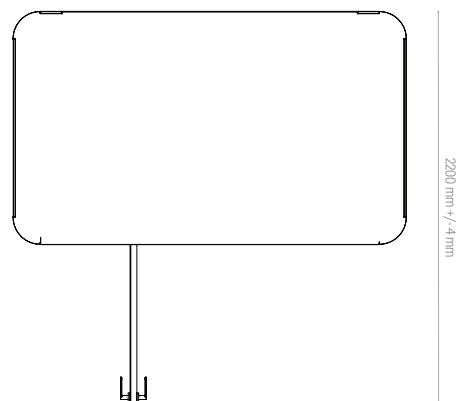
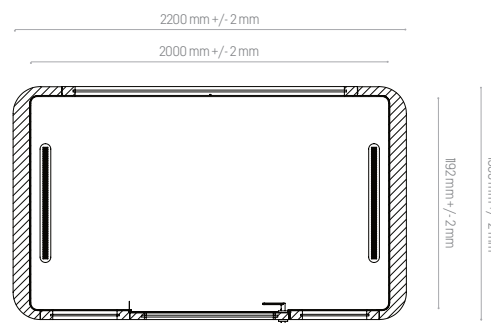
High tones



## Results

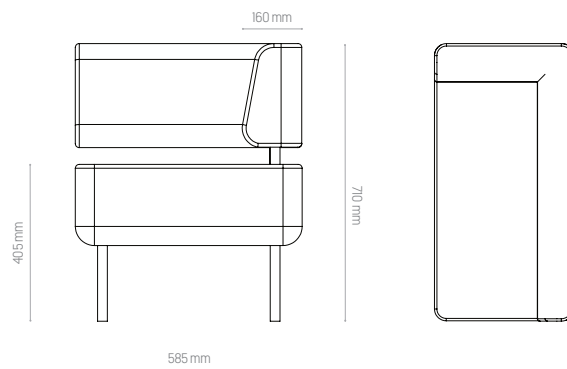
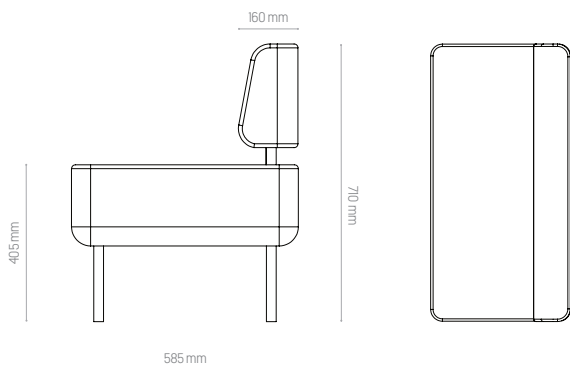
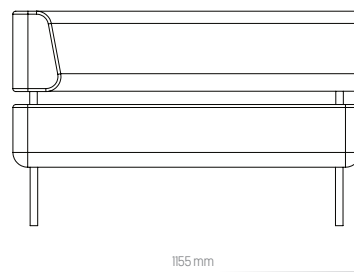
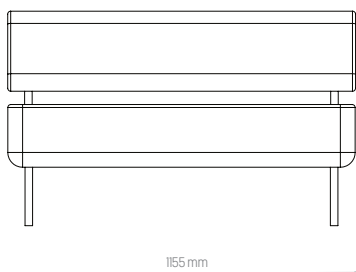
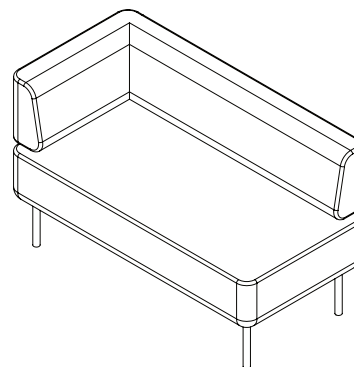
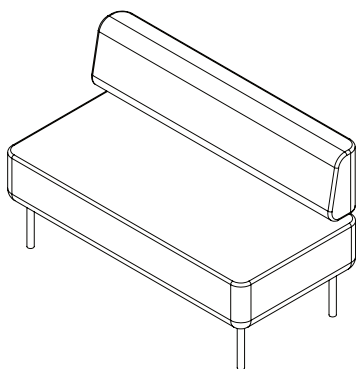
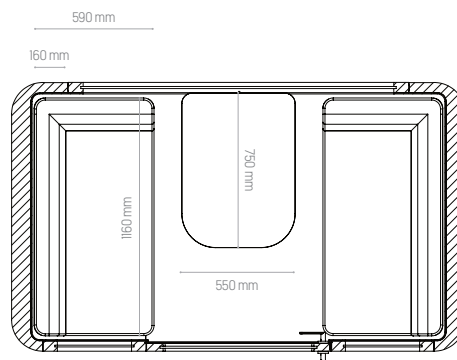
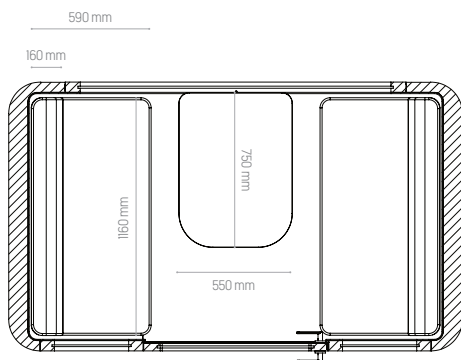


A Space L sound isolation [dB] x - Frequency [Hz] y - Sound isolation [dB]



Version without armrest

Version with armrest



The range of acceptable tolerances for each dimension of sofas is +/- 3 mm.

## Composition

---

The construction of Space L is the effect of work of our acoustics, technology and design departments. Walls of Space L are built from several layers of meticulously chosen materials responsible for one of the highest results of sound isolation and sound absorption inside the pod.

### Wall structure

- Metal covers
- Plywood
- Isolating materials
- Absorbing materials
- Secure glass
- Felt

### Sofa cover:

#### REMIX2 by Kvadrat (Price Group 4)

	Composition	90% wool, 10% nylon
	Weight	300 g/m <sup>2</sup>
	Width	138cm
	Flammability	BS EN 1021-1, BS EN 1021-2
	Abrasion resistance	100'000 martindale cycles
	Pilling resistance	3-4

or

#### Synergy by Camira (Price Group 3)

	Composition	90% wool, 5% polyamide
	Weight	400 g/m <sup>2</sup>
	Width	140 cm
	Flammability	BS EN 1021-1, BS EN 1021-2
	Abrasion resistance	100'000 martindale cycles
	Pilling resistance	4

Check all available colours on our website

or on page 7

## Additional information

---

### Acoustic performance:

#### Inside RT20\* performance

Frequency	125 Hz	250 Hz	500 Hz	1000 Hz	2000 Hz	4000 Hz
RT20* [s]	0,3	0,2	0,1	0,1	0,1	0,1

\*According to PN-EN ISO 354:2005

---

### Fan performance:

Airflow: **180m<sup>3</sup> / h**

Fan emitted noise level: **LAeq <43 dB**

(fan noise is below an average noise in a library or office and is not detected by other users of public spaces)

Activated by motion sensor: **Yes**

---

### Lighting performance:

Power: **22W**

Brightness: **250 LUX (2700 lm at source)**

Light colour temperature: **3000K**

---

### Glass light performance (EN 410):

Light transmission: **87**

Light reflection: **8**

Solar energy transmittance: **70**

Reflection of solar radiation energy: **7**

Total solar energy transmittance: **76**

---

### Power consumption:

Work: **30W (fans, LED)**

Standby: **4,5W**

CE mark: **Yes**

RoHS compliance: **Yes**

### Power supply:

Power: **80W**

Power source voltage: **100 – 240 V AC (50/60Hz)**

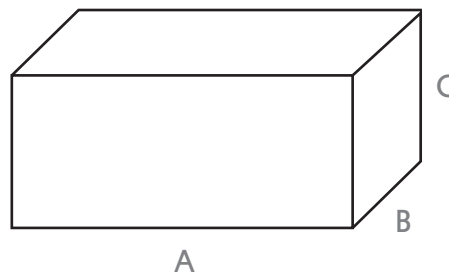
Supply voltage for ventilation, lighting and additional equipment: **12 V DC**

## Packaging

---

### Space L is delivered in wooden cases:

- Dimensions of the first case:  
**(A)** 2300 mm\* **(B)** 850 mm\* **(C)** 1300 mm
- Dimensions of the second case:  
**(A)** 2300 mm\* **(B)** 850 mm\* **(C)** 1300 mm
- Dimensions of a box for sofas:  
**(A)** 1210 mm\* **(B)** 630 mm\* **(C)** 750 mm



## How to keep the product in good conditions

---

- Keep the product dry
- Vacuum and clean regularly
- Follow the assembly instructions and terms of use

## Product recommended for

---

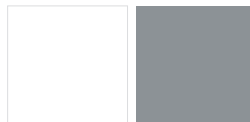
- Open-space
- Break-out area
- Other public spaces (including railway stations and airports)

# Finishes



## 1 External: Walls and roof colour

### STANDARD



Snow White Matt  
RAL 9003

New York Grey Matt  
RAL 7042

### OPTIONS



Powder Grey Ultra Matt  
RAL 7035

New York Grey Ultra Matt  
RAL 7042

Pepper Grey Ultra Matt  
RAL 7012

Panther Black Ultra Matt  
RAL 9005

Chill Red Ultra Matt  
RAL 3020



Pumpkin Orange Ultra Matt  
RAL 2004

SL Tropez Yellow Ultra Matt  
RAL 1018

Basil Green Ultra Matt  
RAL 6032

Midnight Green Ultra Matt  
RAL 6004

Navy Blue Ultra Matt  
RAL 5003

## 4 Internal: Sofa

### OPTIONS

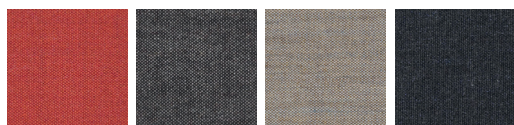


Kvadrat Remix2 852

Kvadrat Remix2 773

Kvadrat Remix2 982

Kvadrat Remix2 543

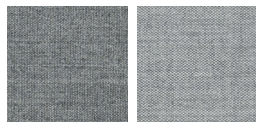


Kvadrat Remix2 643

Kvadrat Remix2 152

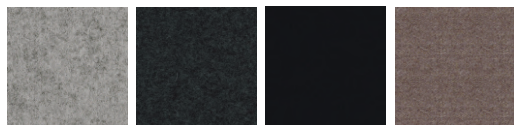
Kvadrat Remix2 242

Kvadrat Remix2 183



Kvadrat Remix2 133

Kvadrat Remix2 123

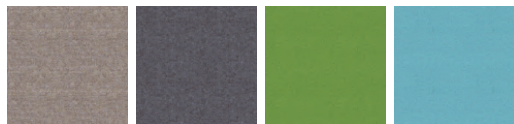


Camira Synergy LDS08

Camira Synergy LDS17

Camira Synergy LDS27

Camira Synergy LDS33



Camira Synergy LDS32

Camira Synergy LDS35

Camira Synergy LDS47

Camira Synergy LDS55



Camira Synergy LDS56

Camira Synergy LDS57

Camira Synergy LDS58

Camira Synergy LDS62



Camira Synergy LDS73

Camira Synergy LDS74

Camira Synergy LDS75

Camira Synergy LDS84

## 2 External: Frame finish

### STANDARD



Snow White  
NCS S 0500-N

New York Grey  
NCS S 3000-N

### OPTIONS



Powder Grey  
NCS S 1502-G

Panther Black  
NCS S 8502-B

Chill Red  
NCS S 1085-Y8R

Pumpkin Orange  
NCS S 0585-Y70R

Basil Green  
NCS S 3060-G10Y

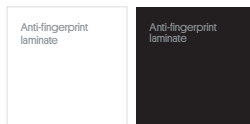


Navy Blue  
NCS S 7020-R808

Ash Veneer

Oak Veneer

Walnut Veneer

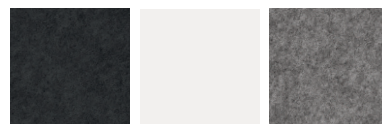


White premium laminate

Black premium laminate

## 5 Internal: Felt

### STANDARD



Dark grey

Beige

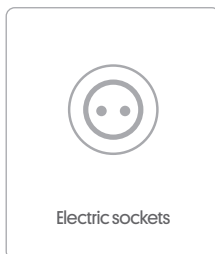
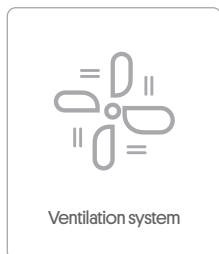
Grey

## 3 Internal: Tabletop

# Equipment

---

## STANDARD



## OPTIONS

