

# Rotterdamsche Elementen Fabriek b.v.

Gouderakstraat 7  
3079 DB Rotterdam  
Telefoon 010-4793500

info@ref.nl  
WWW.ref.nl  
BTW nr: NL001845755B01  
KvK: 24011985  
EORI-nr: NL001845755

ABN AMRO: 48.02.68.525  
Iban: NL37ABNA0480268525  
Bic code: ABNANL2A

## Properties

Backer standard range of PTC – Positive Temperature Coefficient heating elements in stock are designed for heating of forced air to be used in a wide range of engineering and domestic applications such as fan heaters, dehumidifiers, hot air curtains, tumble dryers, drying units, hand dryers, cabinet heaters etc.

The PTC heating technology offers several advantages compared to conventional resistance heaters e.g. rapid heating with selfregulating temperature control, uniform heating without power variation, compact design, no risk for overheating, economic installation, long life-time etc.

The element consists of PTC-chip and aluminium fins assembled by brazing and gluing in a heat resistant plastic frame that gives both technical and commercial advantages compared to mechanically assembled PTC elements.

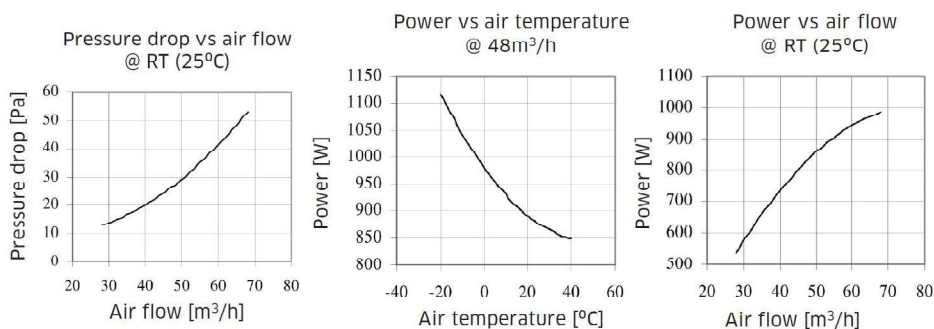


## Technical specification

Material	Ceramic PTC-chip BaTiO <sub>3</sub> , fins in aluminium, adhesive and coating in silicone, frame in PPS R7 plastic
Rated voltage	230 Vac ±15%
Rated power	840W ±10% @ 48m <sup>3</sup> /h, 25°C
Voltage resistance	360 Vac/1 min
I <sub>inrush</sub>	< 16A
T <sub>curie</sub>	220 ±7°C
R25	50-250Ω at 25°C
Dimensions	120x70x22/16 mm
Electric connection	Tab terminal 6.4±0.1 mm

## Standard assortment

Article No 3050231001



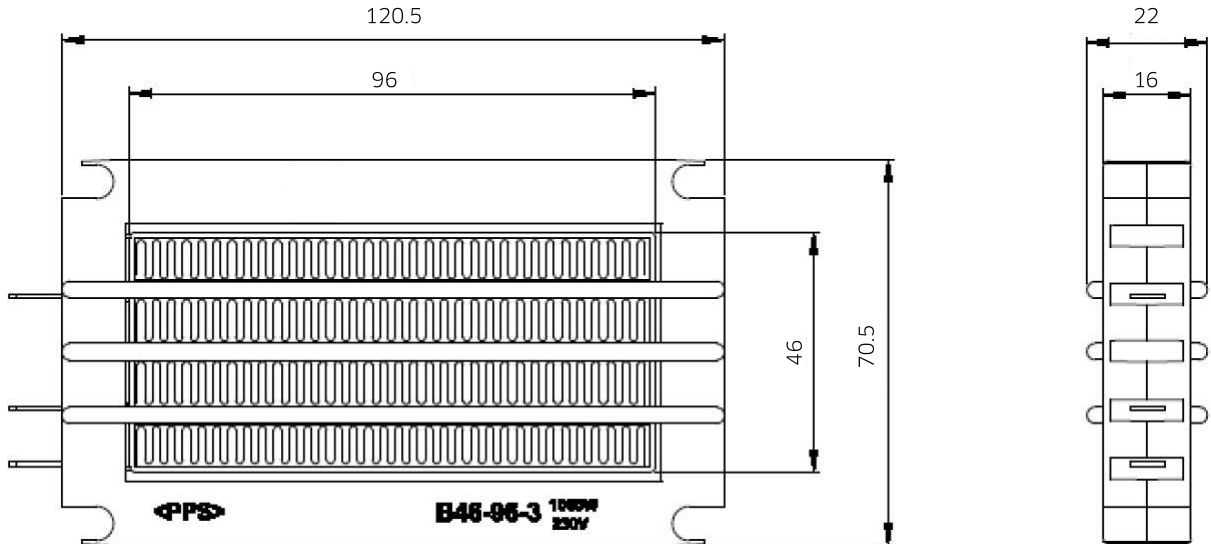


# Rotterdamse Elementen Fabriek b.v.

Gouderakstraat 7  
3079 DB Rotterdam  
Telefoon 010-4793500

info@ref.nl  
WWW.ref.nl  
BTW nr: NL001845755B01  
KvK: 24011985  
EORI-nr: NL001845755

ABN AMRO: 48.02.68.525  
Iban: NL37ABNA0480268525  
Bic code: ABNANL2A



## Circuit diagram/connection alternatives\*

### Electrical connection



Alternative power output of the element when connected to a power supply:

A closed      1/1 power  
A open        ~1/2 power

All electric connections and energizing components, must be done by a qualified electrician.

## Options available on request

Other voltages, wattages, temperatures and performances  
PTC heating elements for contact, liquid and gas heating  
High voltage insulated PTC customized heating systems with control system for vehicles  
UL-approved PTC heating elements