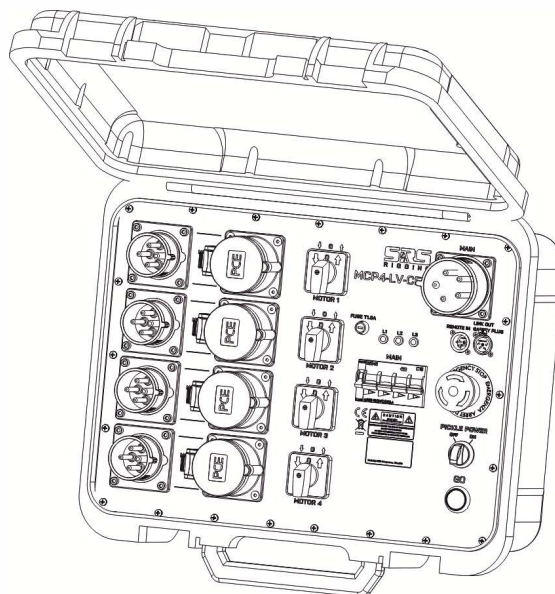


MCP4-LV-CEE

Portable Hoist Controller

The MCP4-LV-CEE was designed to fulfil all the requirements of clients who are looking for a cost-effective alternative of low voltage hoist controller with great quality. It is equipped with high quality Schneider Electric / Eaton parts and housed in a robust plastic case.

The main benefit is the link feature for GO and E-STOP buttons of several linked devices and full RCD and MCB protection.



Features:

- GFI/RCD 30mA protected outputs
- 1x MCB C16A per 4 hoists
- Input socket: CEE32/5p
- UP/DOWN selection switches
- PICKLE mode
- MPA: Manual Phase Align
- Output: CEE16/4p red + CEE16/4p yellow
- Optional GO/STOP cable remote

Power supply

AC400V / 40-65Hz, CEE32A/5p

Operating temperature

-20 °C to +40 °C

Housing

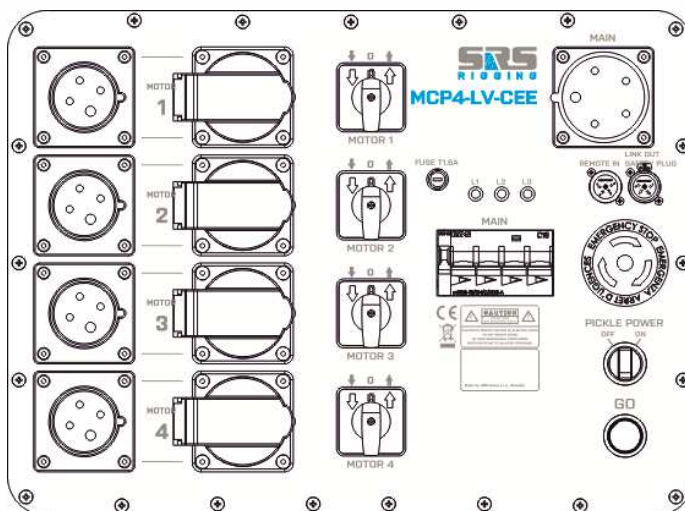
Plastic case

Dimensions & Weight

340 x 425 x 170mm, 9.2kg

Warranty

2 years



MCP4-LV-CEE_en_datasheet_M295

